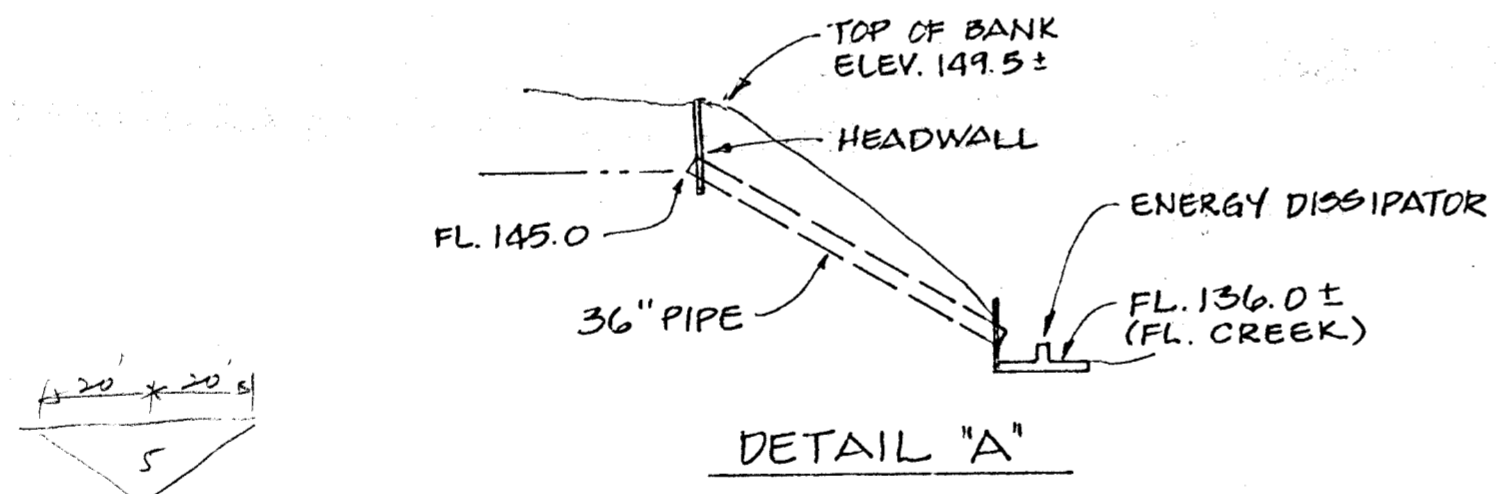
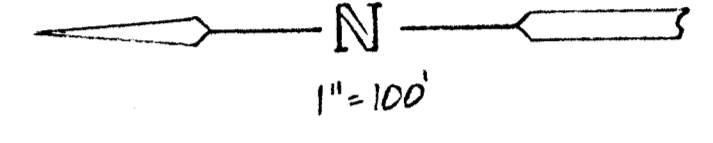
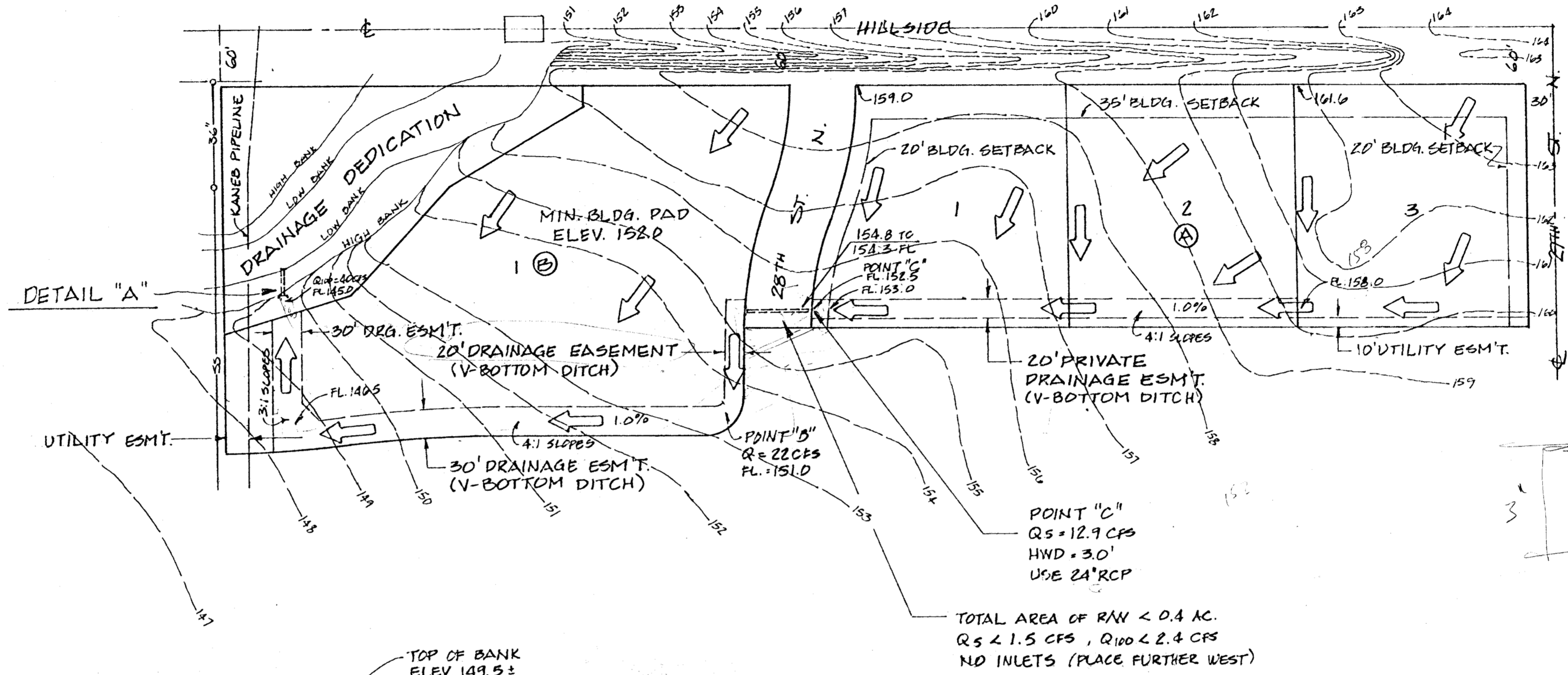


120
456
150
726



DRAINAGE PLAN
TERRACE PARK ADDITION
WICHITA, SEDGWICK COUNTY, KS.

⊙ POINT "A", FL. 145.0
D.A. = 8.2 AC.
C = 0.7 ASSUME T_c = 15 MIN.
I₁₀₀ = 6.9"/HR.
Q₁₀₀ = 40.0 CFS
NORMAL DEPTH = 1.65'
HWD = 4.5'
(ASSUMING WORST CONDITION,
OUTLET CONTROL & SUBCRITICAL FLOW)
36" CMP WILL FLOW 45 CFS
FLOW WILL PROBABLY BE SUPERCRITICAL
ENERGY DISSIPATOR MAY BE REQUIRED

⊙ POINT "B", FL. = 151.0
D.A. = 4.5 AC.
C = 0.7
Q₁₀₀ = 22 CFS
NORMAL DEPTH = 1.3'

⊙ POINT "C", FL. 152.5
D.A. = 4.4 AC.
C = 0.7
Q_s (PIPE) = 12.9 CFS
Q₁₀₀ = 21.3 CFS
NORMAL DEPTH = 1.1'
HWD = 3.0'

MOEHRING & ASSOCIATES
CONSULTING ENGINEERS
WICHITA
81-034-SD NOV. 1982

12
36 x 520 = 18,720 ft³

180 x 726 = 130,680 ft³

91,320 / 27 = 3382 X + 107s

3700 @ 350 = 1,295,000

70 @ 24" RCP @ 30 = 2,100

30 @ 36" RCP @ 40 = 1,200

1 Headwall = 3,000

1 Energy Dissipator = 300

522,250

+ 2000 Eng. & Mfg.

27,700

522,250

27,700

550,000

450,000