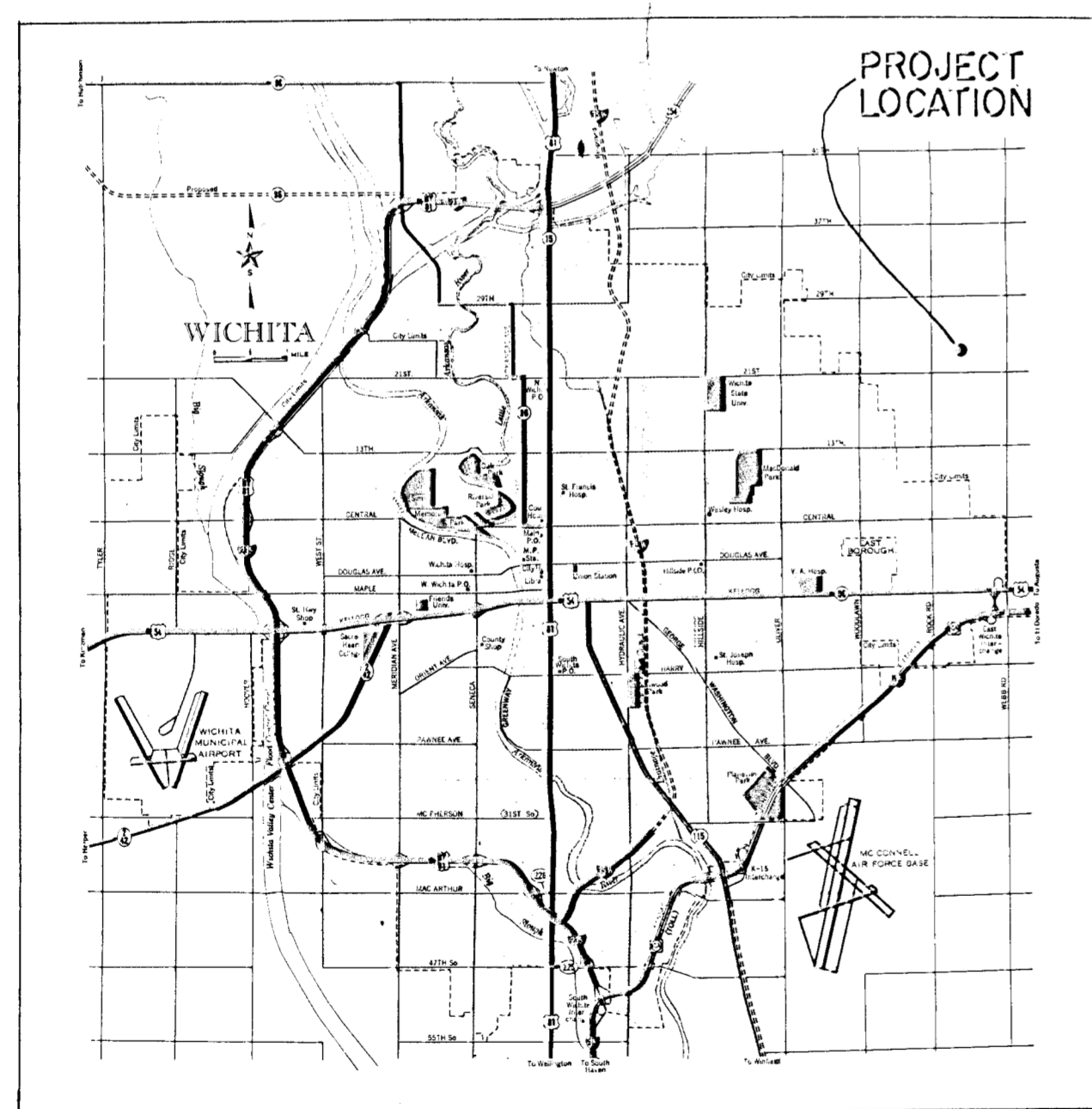


LOWER ROCK LAKE
ROCK LAKE ADDITION
IN
COMOTARA
WICHITA, KANSAS



LOCATION MAP

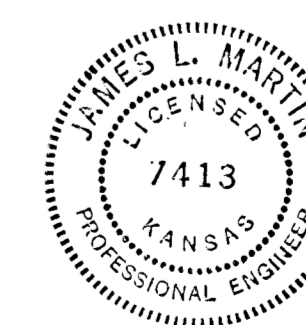
JULY 1979

INDEX TO DRAWINGS

- 1 COVER SHEET
- 2 DRAINAGE AREA MAP
- 3 & 4 SITE PLAN
- 5 PROFILE & DETAILS
- 6 PRIMARY SPILLWAY & DETAILS

VAN DOREN-HAZARD-STALLINGS
ARCHITECTS-ENGINEERS-PLANNERS
WICHITA, KANSAS

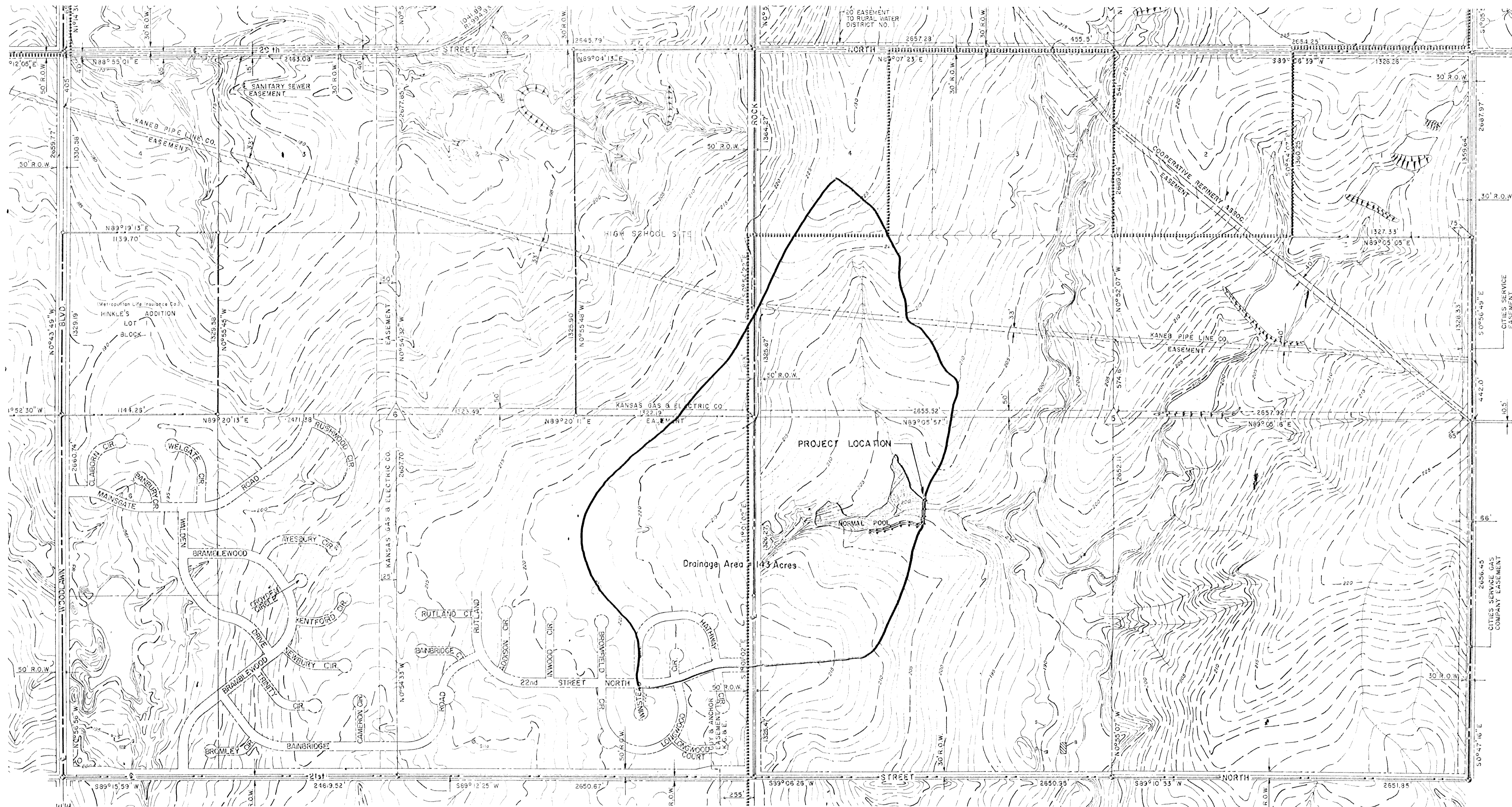
Job No. 78-246



PRINTED

AUG 20 1979

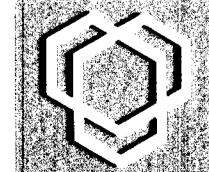
VAN DOREN, HAZARD,
STALLINGS



Scale: 1" = 400'

LOWER ROCK LAKE
WICHITA, KANSAS

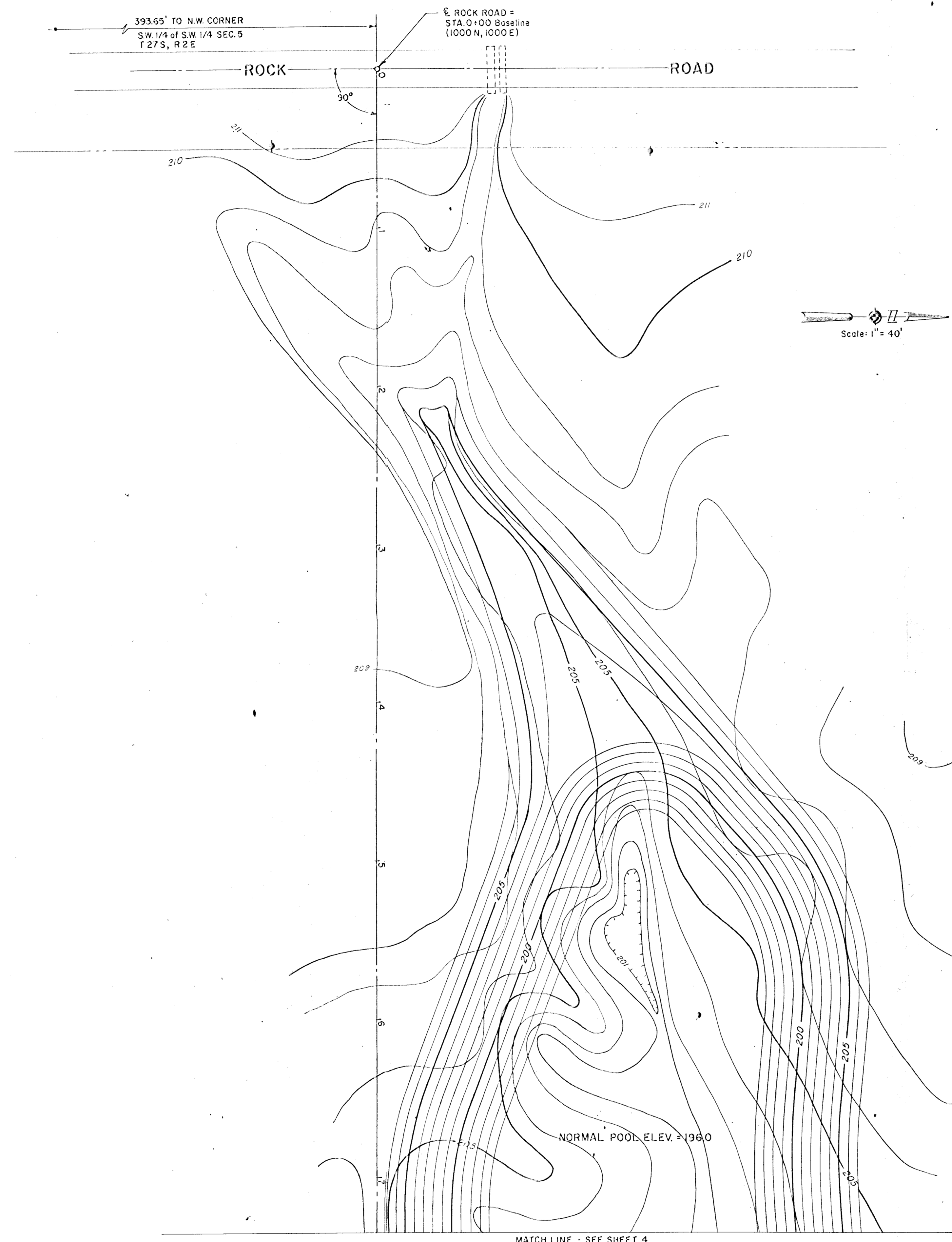
DRAINAGE AREA MAP



Van Doren - Hazard - Stallings
Architects • Engineers • Planners
Topeka Wichita Minneapolis

Design JLM
Drawn by KRA
Checked by JWW
Date July -79
Job no. 78-246

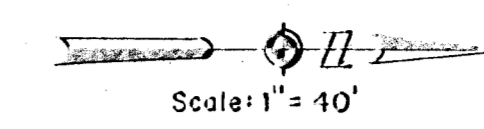
Sheet 2
of 6



CAPACITY DATA			
ELEVATION	SURFACE AREA ACRES	STORAGE AC. FT.	CUMMULATIVE STORAGE AC. FT.
196.0	4.20		0
		4.36	
197.0	4.51		4.36
		4.67	
198.0	4.82		9.03
		5.00	
199.0	5.17		14.03
		5.34	
200.0	5.50		19.37
		5.68	
201.0	5.86		25.05
		6.03	
202.0	6.20		31.08
		6.39	
203.0	6.57		37.47
		6.85	
204.0	7.12		44.32
		7.42	
205.0	7.72		51.74
		8.01	
206.0	8.30		59.75
		8.63	
207.0	8.96		68.38

LOWER ROCK LAKE WICHITA, KANSAS		Design J.L.M. Drawn by M.W.B. Checked by J.W.W. Date July - 79 Job no. 79-246
SITE PLAN		Sheet 3 of 6
Van Doren - Hazard - Stallings Architects • Engineers • Planners Topeka Wichita Minneapolis		

MATCH LINE - SEE SHEET 3



P.C. STA. 8+23.32 BEGIN
10' WIDE TOP SECTION

P.I. STA. 8+40.00
(1000N, 1840E)
Δ = 18° 56' 24"
R = 100.00'
T = 16.68'
L = 33.05'

P.I. STA. 10+55.68
(1070N, 2044E)
Δ = 18° 56' 24"
R = 100.00'
T = 16.68'
L = 33.05'

P.I. STA. 12+76.68
(1070N, 2265E)
Δ = 74° 40' 12"
R = 84.29'
T = 64.29'
L = 109.86'

NORMAL POOL ELEVATION = 196.0

NOTE: THE AREA BELOW CONTOUR 196.0
IS BEING REMOVED FOR FILL
AROUND THE LAKE.

NOTE: THIS AREA
TO BE FILLED

NOTE: THIS AREA
TO BE FILLED

STA. 14+06 PRIMARY SPILLWAY
SEE DE TAILS ON SHEET 5

STA. 15+26 EMERGENCY SPILLWAY
SEE PROFILE & DETAILS ON SHEET 5

P.O.T. STA. 15+60.55
(1361.82 N, 2345E)

LEGEND

- SOIL BORING
- NEW CONTOUR

LOWER ROCK LAKE
WICHITA, KANSAS

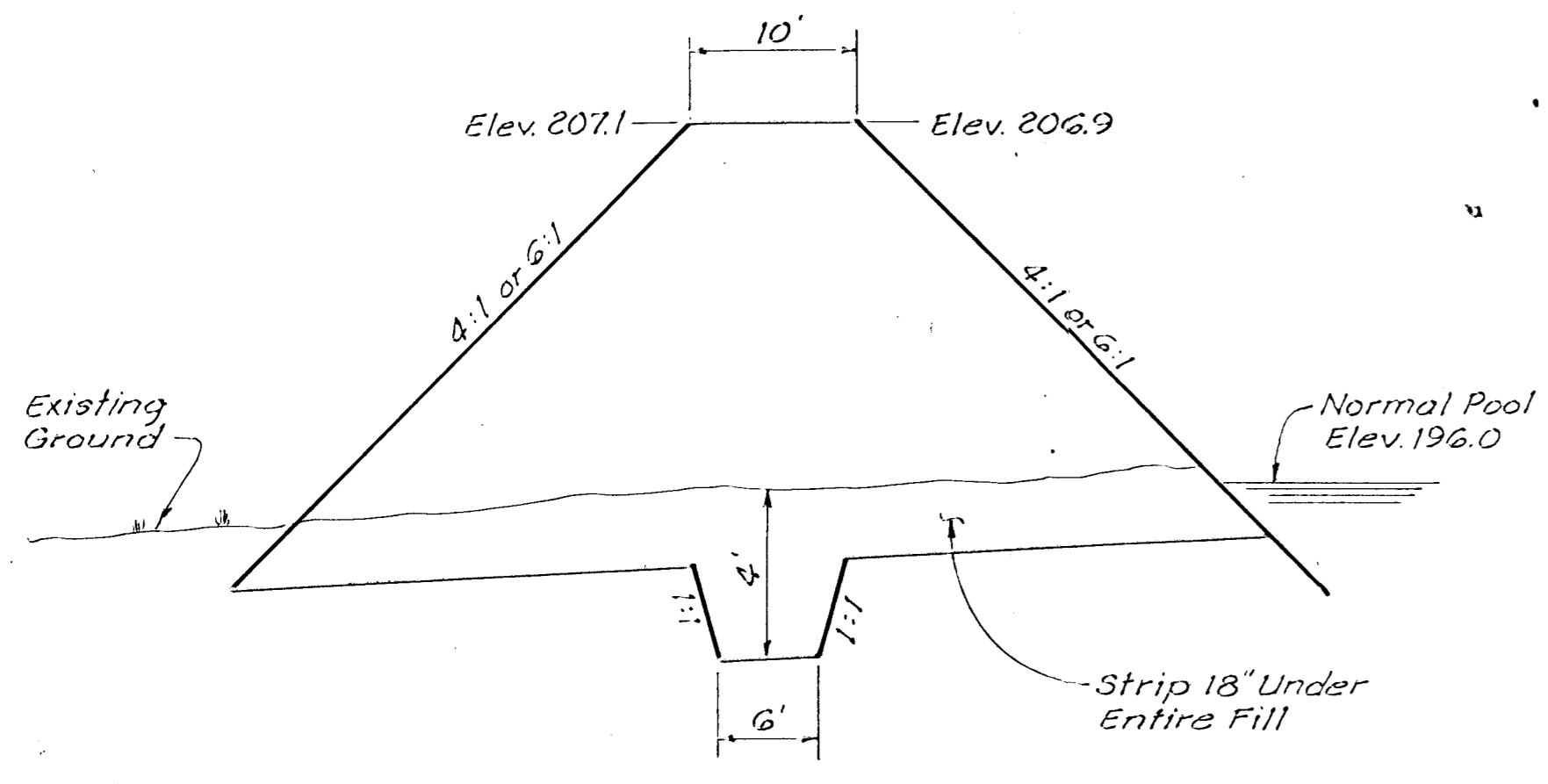
SITE PLAN

Van Doren - Hazard - Stallings

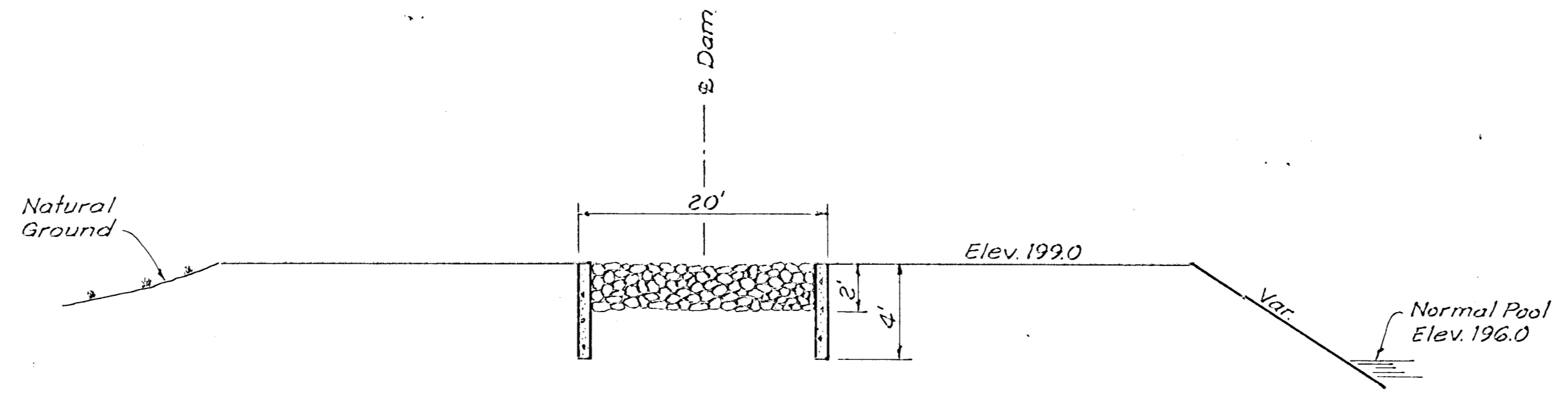
Architects • Engineers • Planners
Topeka Wichita Minneapolis

Design	J.L.M.
Drawn by	M.W.B.
Checked by	J.W.W.
Date	July - 79
Job no.	79-246

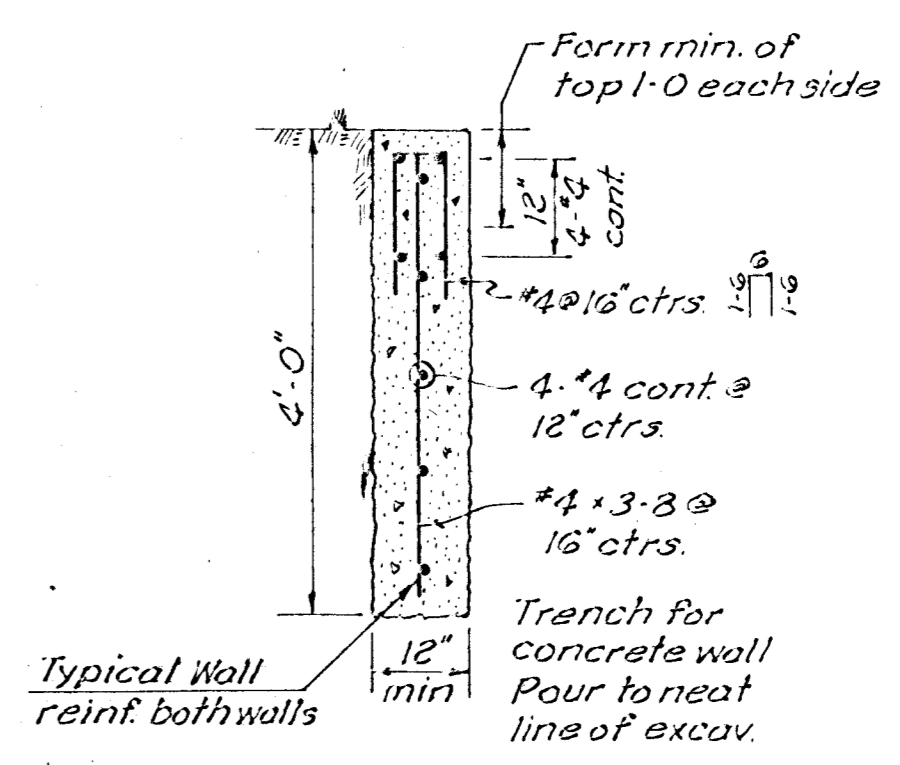
Sheet	4
of	6



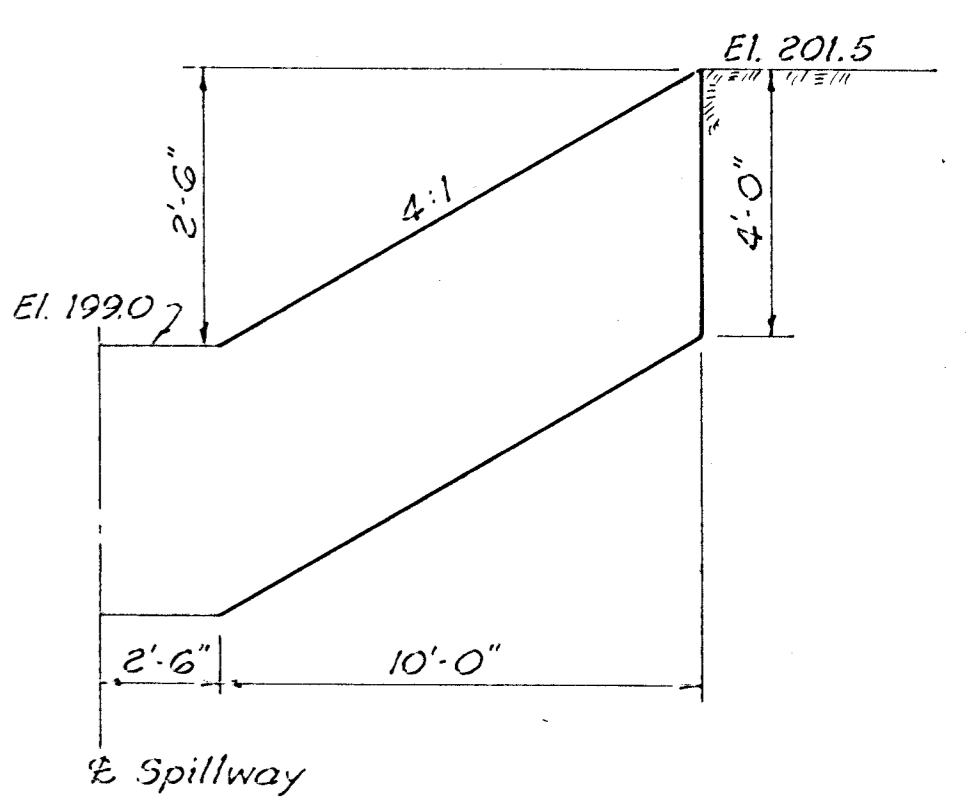
TYPICAL DAM CROSS SECTION



EMERGENCY SPILLWAY PROFILE

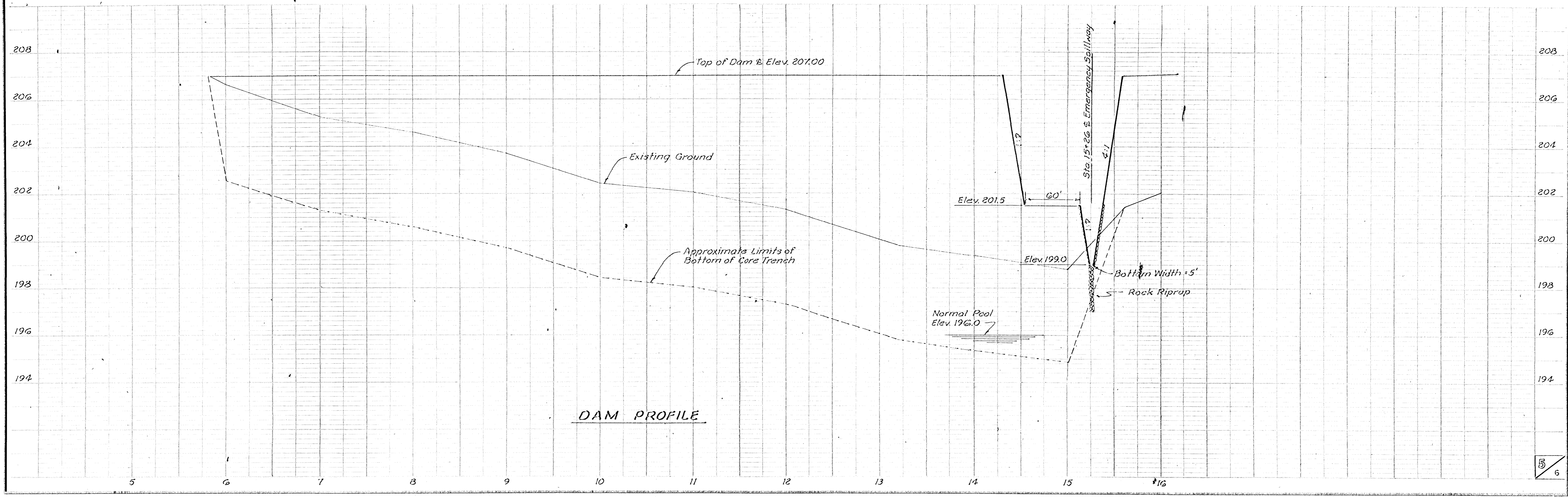


SECTION



HALF ELEVATION

EMERGENCY SPILLWAY CONTROL



DAM PROFILE

