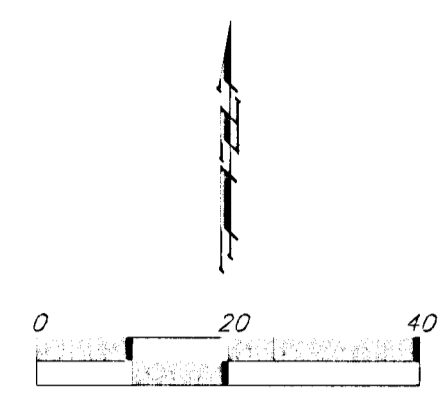
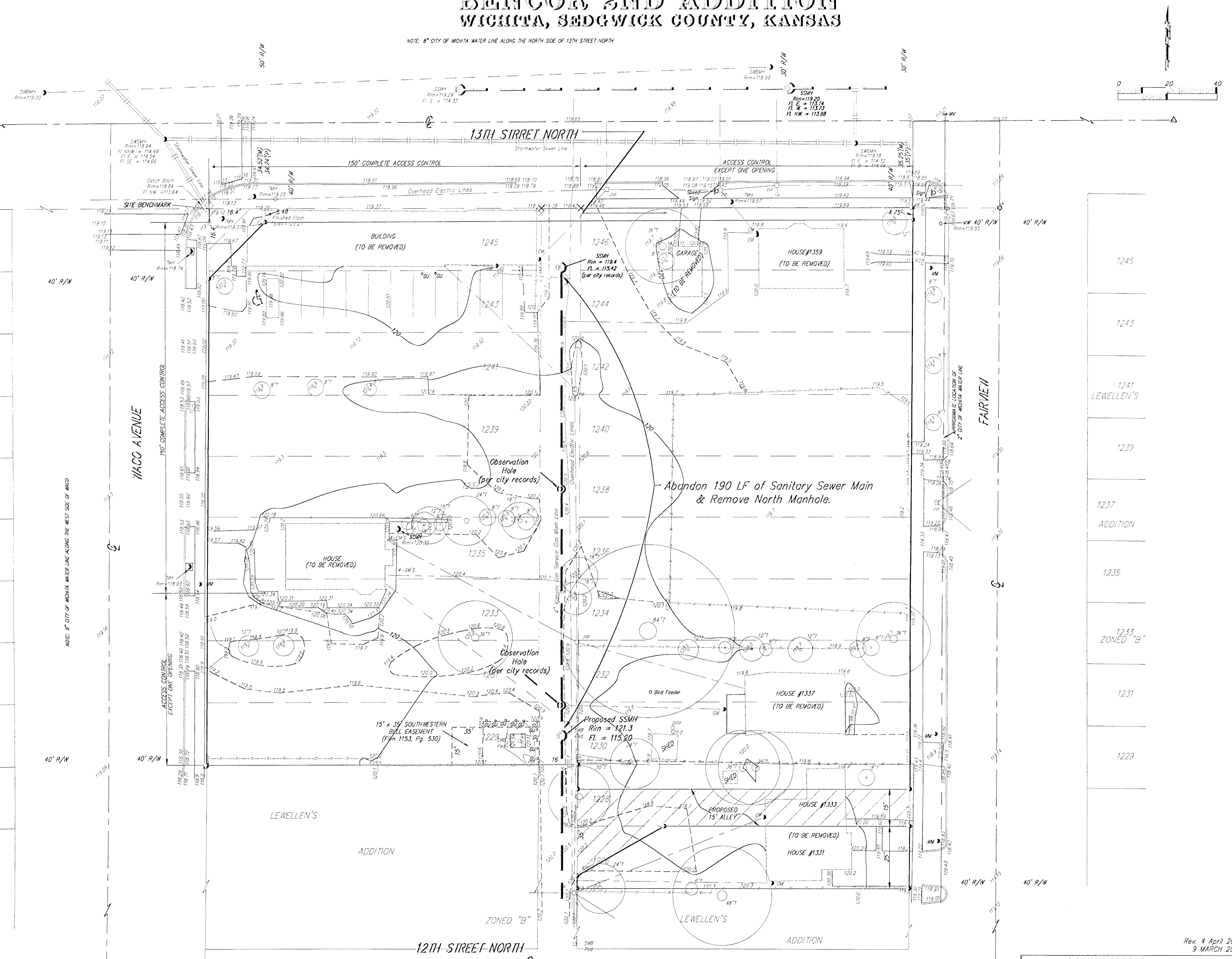


UTILITY PLAN BENCOR 2ND ADDITION WICHITA, SEDGWICK COUNTY, KANSAS

NOTE: 8" CITY OF WICHITA WATER LINE ALONG THE NORTH SIDE OF 13TH STREET NORTH



NOTE: 8" CITY OF WICHITA WATER LINE ALONG THE WEST SIDE OF WACO

Rev. 4 April 2000
9 MARCH 2000

BAUGHMAN COMPANY P. A.
ENGINEERING, SURVEYING, & PLANNING
315-262-7271 • 315 ELLIS • WICHITA, KANSAS 67211
P:\P\118\W02\2000\118\DWG\BENCOR2.PLG