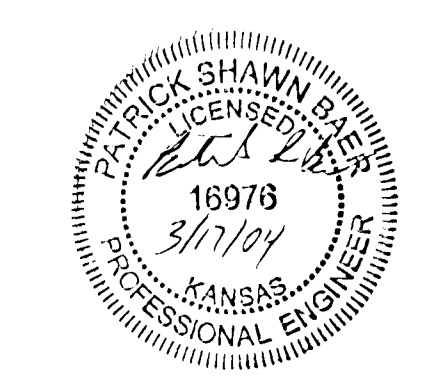
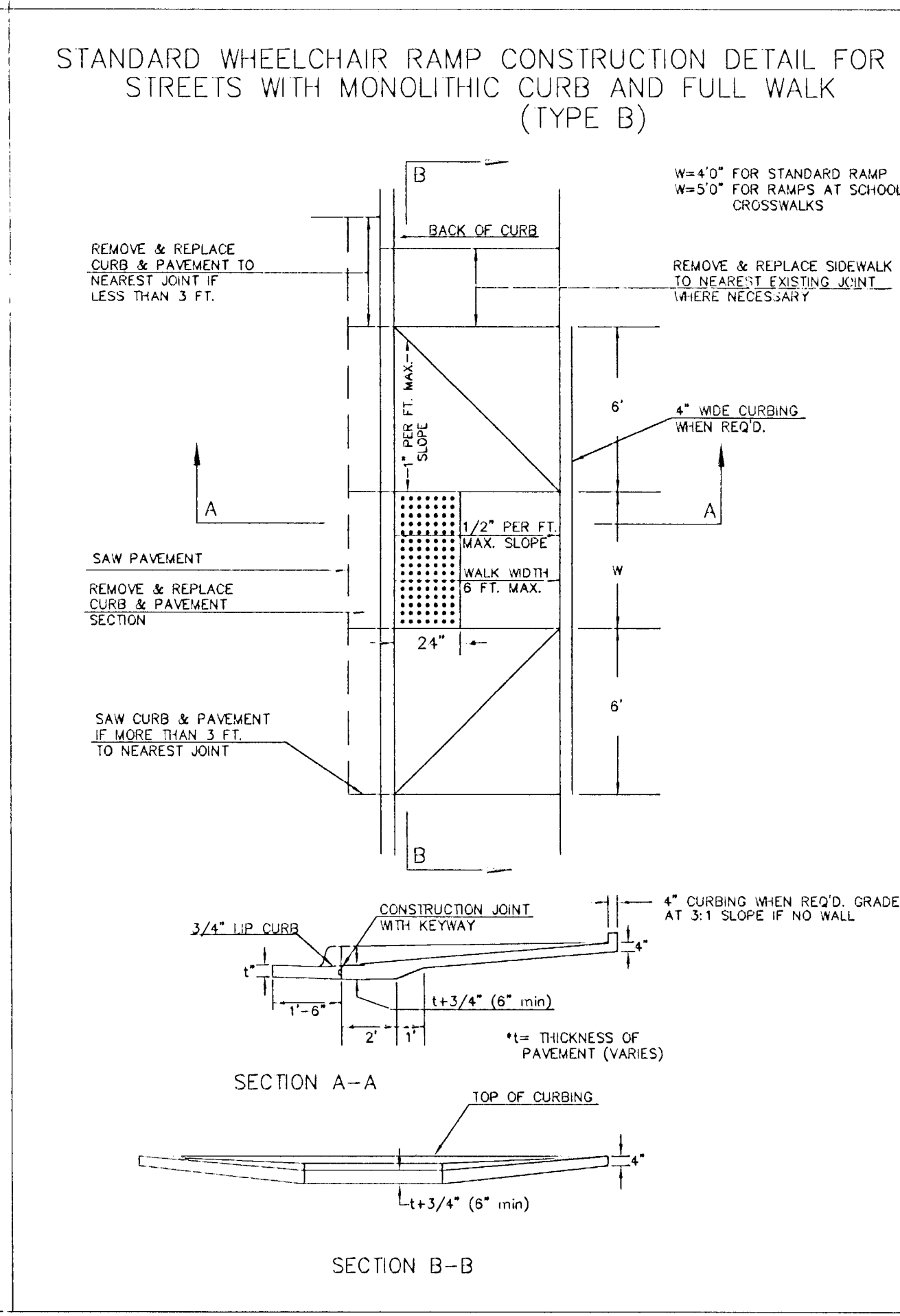
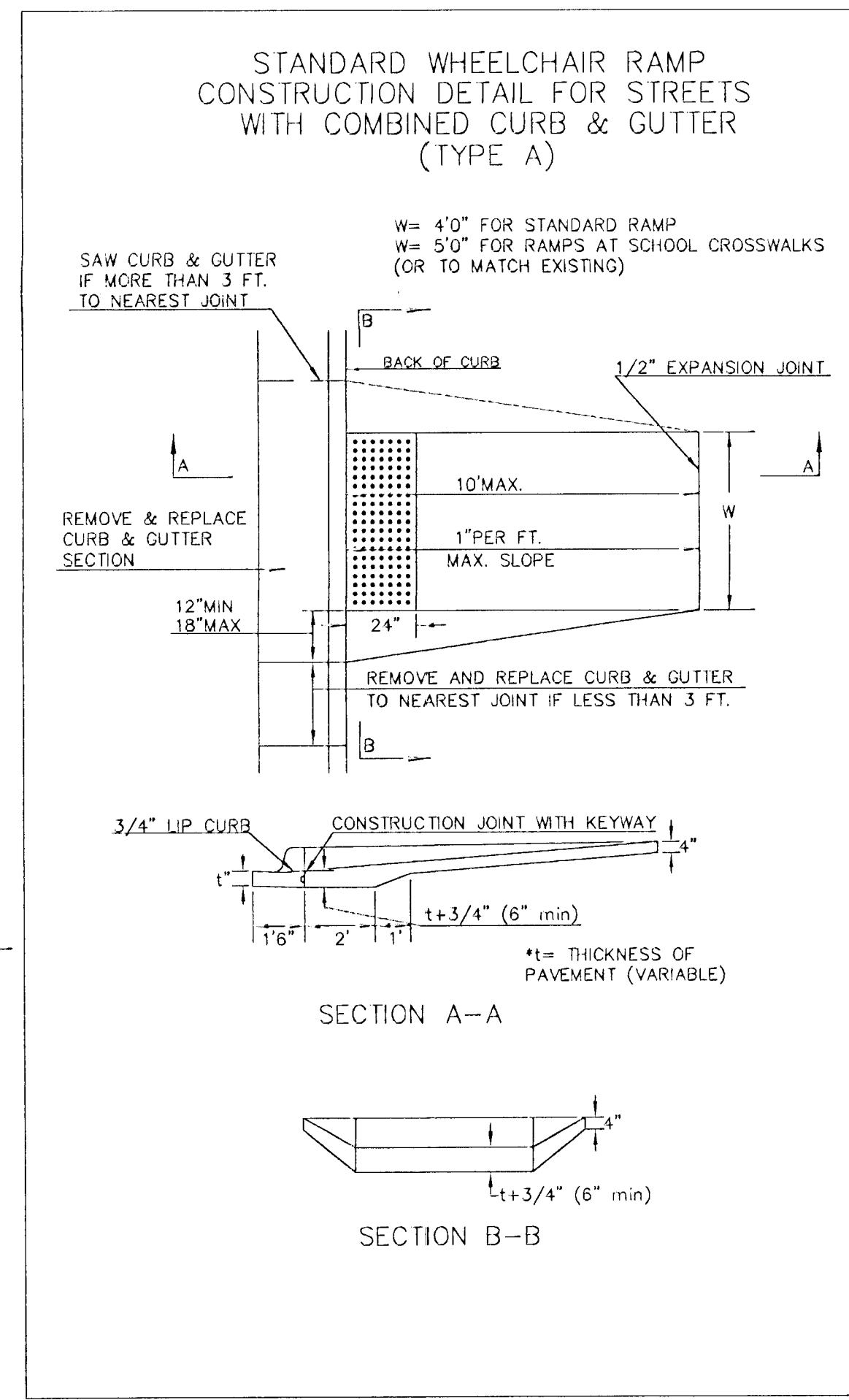
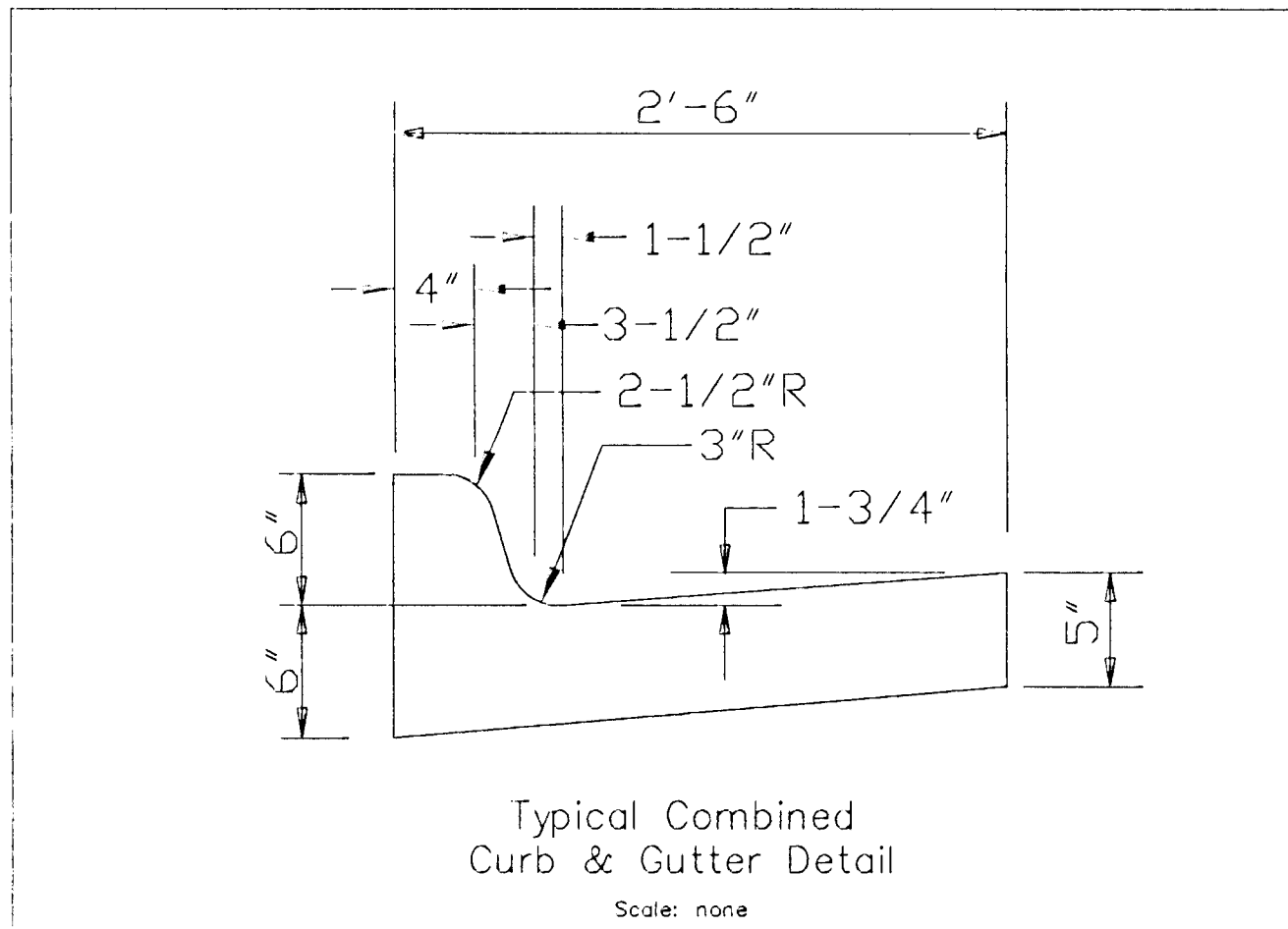


Benchmark:  
Railroad Spike in Power Pole at Smithmoor Commercial Entrance  
ELEVATION = 1344.60



Smithmoor Commercial Lot Grading Plan Wichita, Kansas			
PROJECT NUMBER			
KEM NO. 04017	FILE grade	DATE 3/04	SHEET 2
DESIGN pb	DRAWN pb	REVISED	OF 5
516 S. Market, Wichita, KS 67202		316/264-0242	