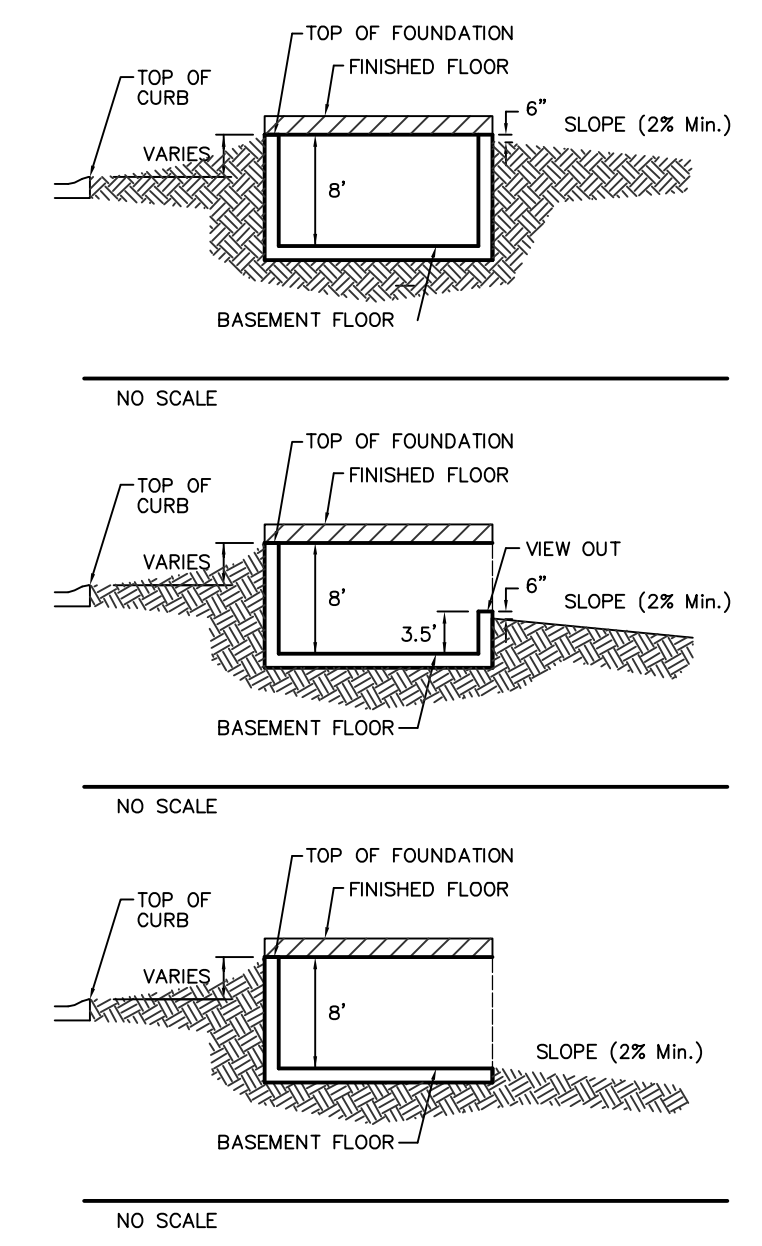
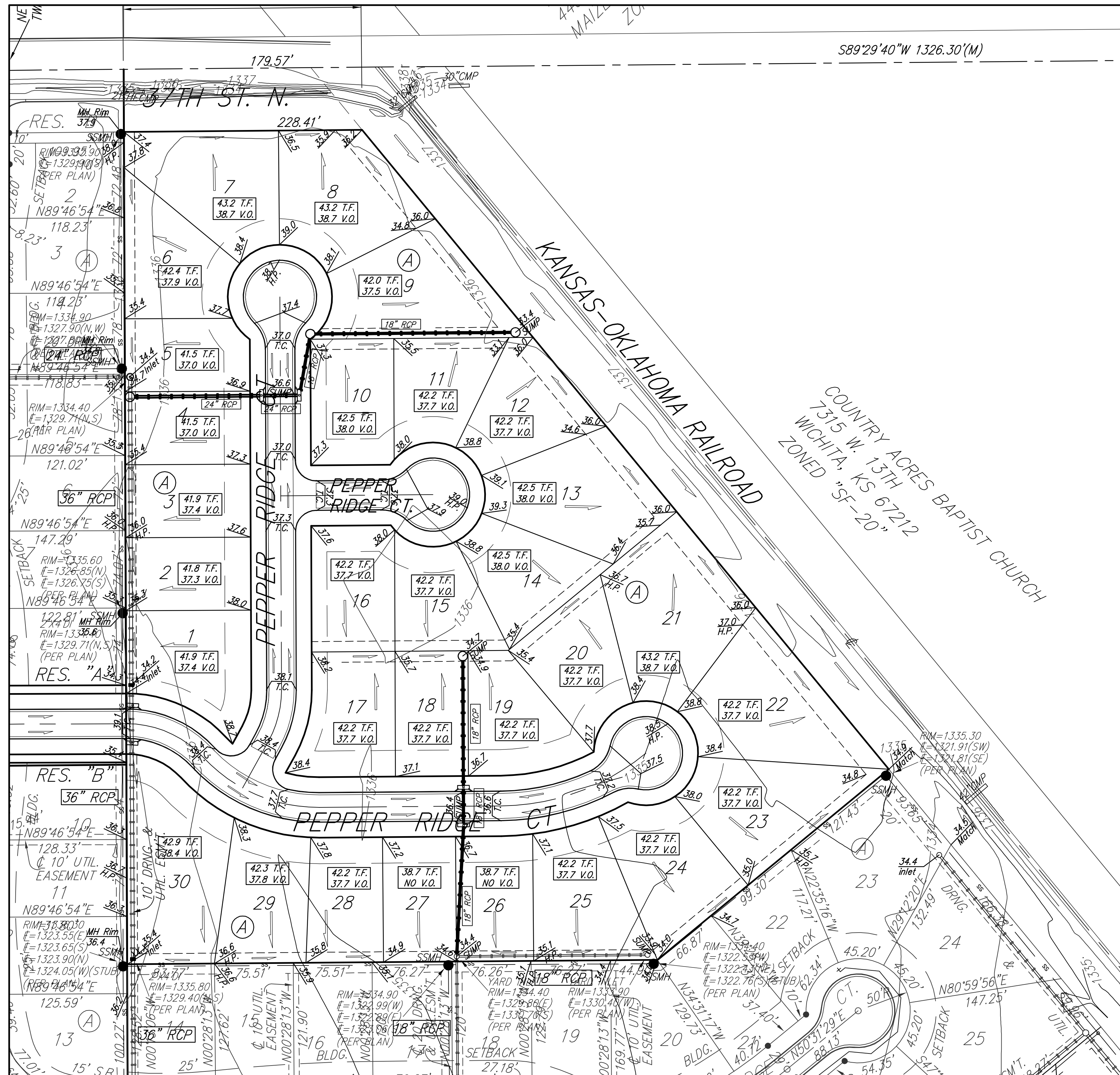


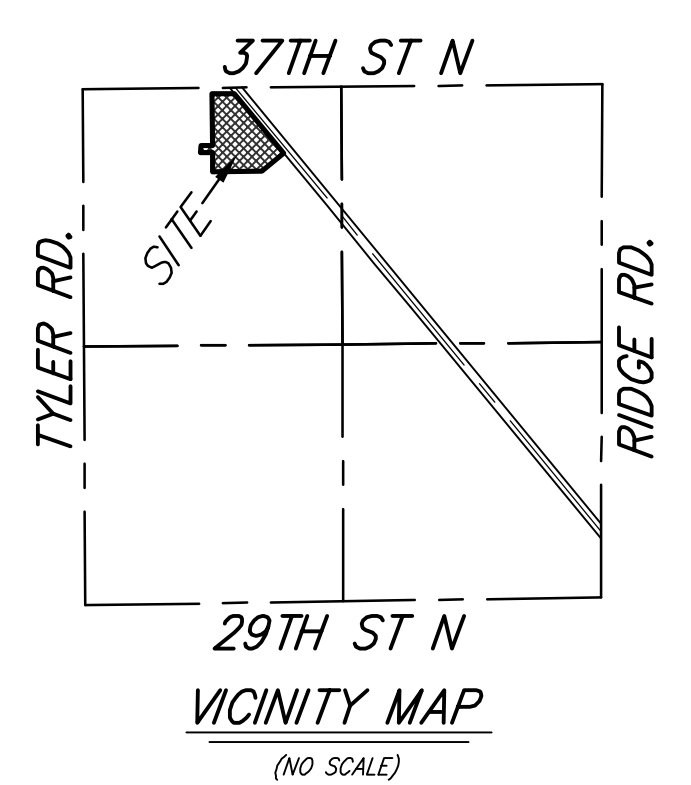
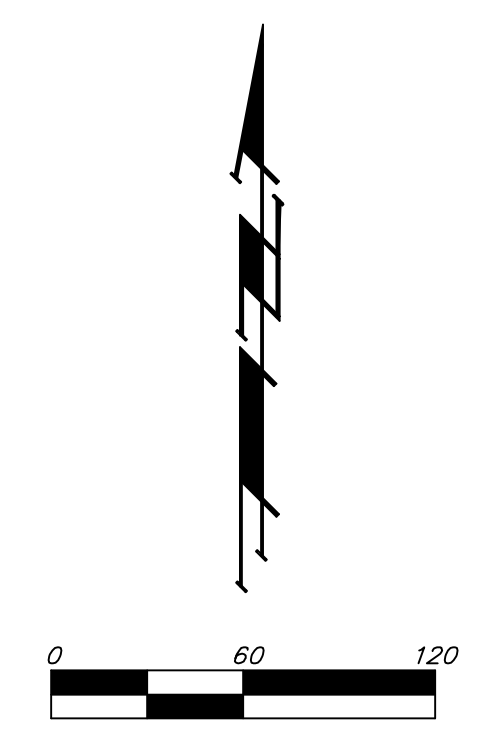
GRADING PLAN

TYLER'S LANDING 4th ADDITION

WICHITA, SEDGWICK COUNTY, KANSAS



- NOTES:**
1. PROPOSED TOP OF FOUNDATION ELEVATIONS ARE SHOWN ON PLANS. CONTRACTOR TO SET FINISHED FLOOR AND GARAGE FLOOR ELEVATIONS. ALL STREET ELEVATIONS SHOWN ON PLANS ARE FOR TOP OF CURB (FULL-HEIGHT).
 2. THIS GRADING PLAN IS DESIGNED WITH VEW-OUTS AND WALK-OUTS. ELEVATIONS SHOWN AS XX.X V.O. DEPICT VEW-OUT STRUCTURES. ELEVATIONS SHOWN AS XX.X W.O. DEPICT WALK-OUT STRUCTURES.
 3. ALL LOTS SHALL MEET MINIMUM PAD REQUIREMENT AS SHOWN ON THE RECORDED PLAT.
 4. LOT DIMENSIONS HAVE BEEN OMITTED ON THIS PLAN. REFER TO THE RECORDED PLAT FOR FINAL DIMENSION, EASEMENT, & BUILDING SETBACK INFORMATION.
 5. HOUSE PAD ELEVATIONS DEPICTED NOTED WITH THIS SYMBOL INDICATE THAT DEEP FOOTINGS OR DEEP FOUNDATIONS MAY BE REQUIRED. ●
 6. A DRAINAGE PLAN HAS BEEN DEVELOPED FOR THIS SUBDIVISION AND IS ON FILE WITH THE CITY OF WICHITA, KANSAS. DRAINAGE INTENT SHALL REMAIN AS DEPICTED OR AS MODIFIED WITH THE APPROVAL OF THE CITY ENGINEER OF THE CITY OF WICHITA, KANSAS. NO OBSTRUCTIONS WHICH IMPEDE THE FLOW OF THIS DRAINAGE PLAN SHALL BE ALLOWED.
 7. ALL ELEVATIONS SHOWN ARE IN NGVD.



OWNER:
R & R REALTY, LLC
8100 E. 22ND STREET NORTH
BLDG. 1000
WICHITA, KS 67226-2310
Ph: 316-684-7300

LEGAL DESCRIPTION:
A REPLAT OF ALL OF LOT 1, BLOCK A, TYLER'S LANDING 3RD ADDITION, WICHITA, SEDGWICK COUNTY, KANSAS.

BENCHMARK:
"P-K" NAIL IN CENTER OF CUL-DE-SAC OF THE MOST NORTHERLY FOREST RIDGE CT., TYLER'S LANDING 3RD ADDITION.
ELEV. = 1340.13 NGVD29

"C" CUT ON @ OF CATCH BASIN LID SOUTH OF THE SW CORNER OF LOT 14, BLOCK A, TYLER'S LANDING 3RD ADDITION.
ELEV. = 1337.69 NGVD29

NOTE: There is no FEMA SFHA located on this property as of May 8, 2008.

GRADING PLAN

TYLER'S LANDING 4th ADDITION

8 MAY 2008

Baughman Company, P.A.
315 Ellis St. Wichita, KS 67211 P 316-262-7271 F 316-262-0149

Baughman ENGINEERING | SURVEYING | PLANNING | LANDSCAPE ARCHITECTURE