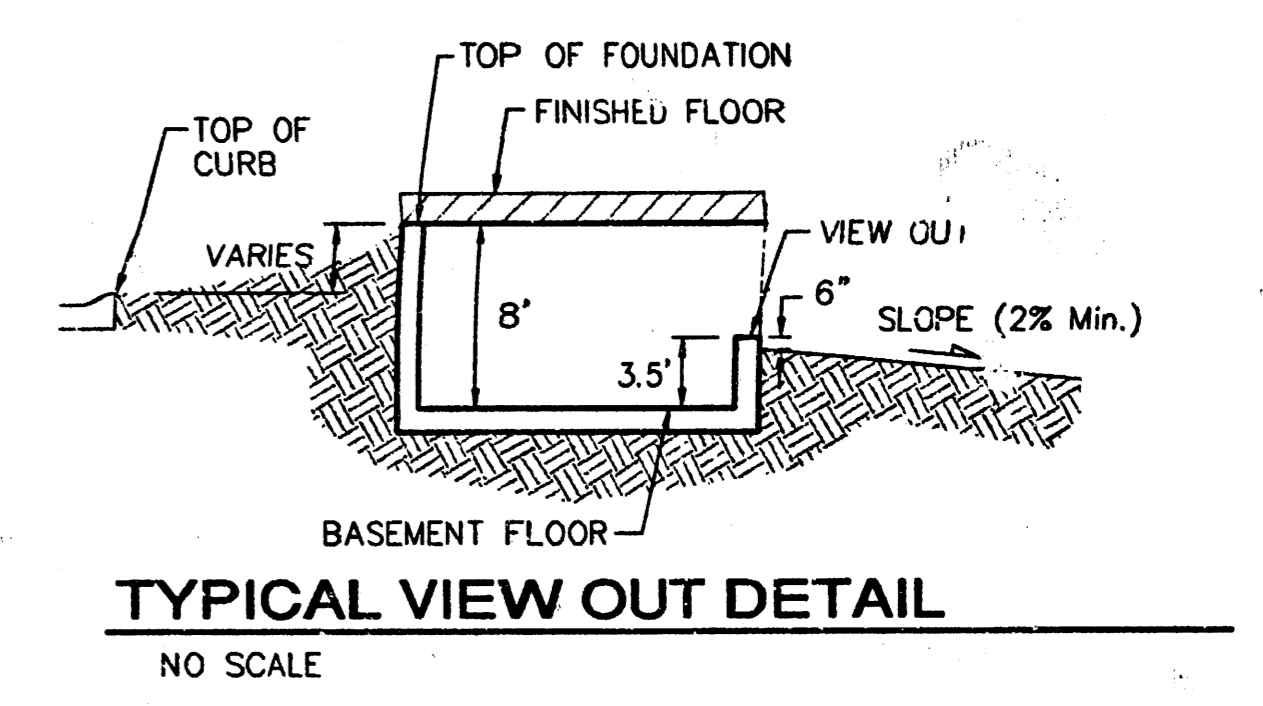
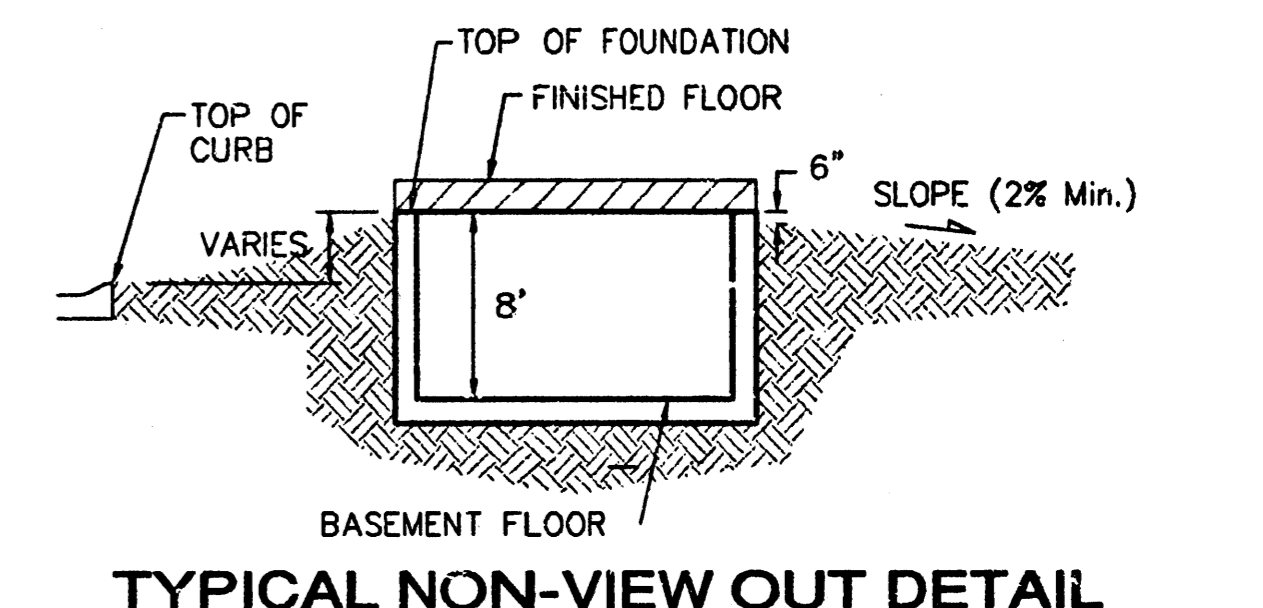
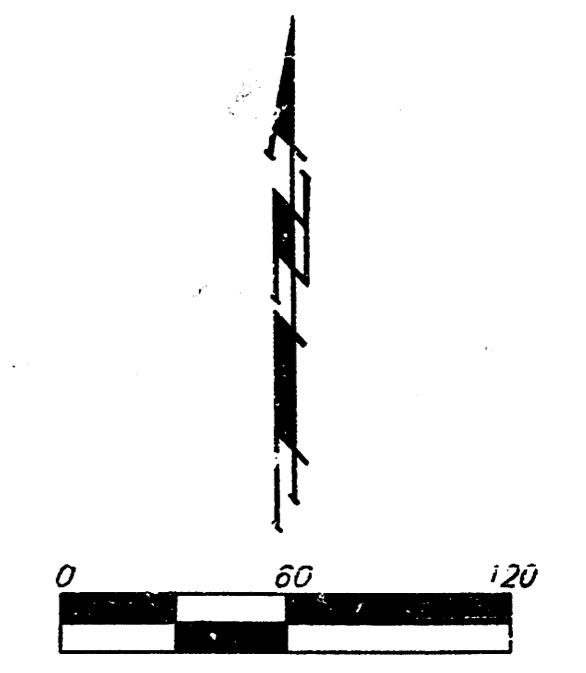


BENCHMARKS:

BM #1: C.O.W. disc at SW corner of intersection.
 30.00'± S. of CL of 13th St. N. 35.00'±
 W. of CL of 135th St. W.
 Elev. = 168.25 City Datum

BM #2: Small RR spike in 4th HLP W. of 135th St. W. on south side of 13th St. N. (N. face of HLP).
 Elev. = 178.24 City Datum

BM #3: RR spike in Power Pole. 1321.65
 W. of 135th St. W.
 30' N. of 13th St. N.
 Elev. = 178.45 City Datum



NOTES:

Proposed Top of Foundation Elevations Are Shown On Plans. Contractor to Set Finished Floor Elevations.

All Street Elevations Shown on Plans Are for Top of Curb (Full-Height).

This Grading Plan is Designed with View-Outs. Elevations Shown as XX.X V.O. indicate View-Out structure elevation.

Lot dimensions have been omitted on this plan, refer to the recorded plot for this information.

Add 100 to finish grade elevations indicated to achieve city datum elevation. Existing grade elevations are in city datum.

MINIMUM BUILDING PAD ELEVATIONS FOR LOWEST OPENING TO THE STRUCTURES

LOT	BLOCK	ELEVATION CITY DATUM
2-11, 13-21	F	173.5

APPROVED
ret 10/6/05
DRAINAGE PLAN

Copper Gate North Addition
Grading Plan
 Baughman | Wichita, Sedgwick County, Kansas

REVISIONS:

PROJECT NUMBER	DESIGN	DRAWN
	BLG	JAK
	APPROVED	DATE
		9/06/05
	SCALE	
	1" = 60'	
	SHEET	
		1 OF 2

F:\Gmde\Copper Gate North\Grading.dwg