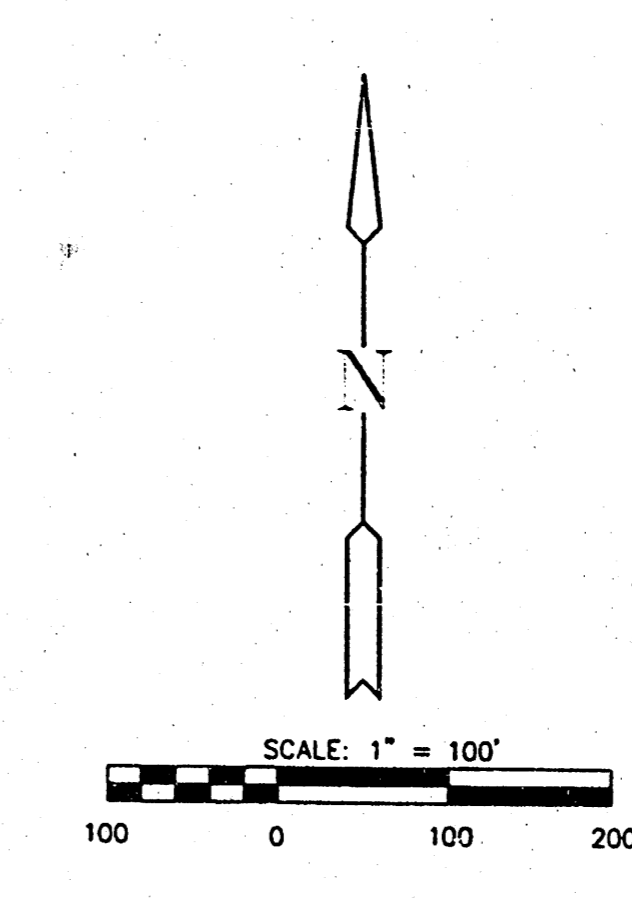


LOCATION MAP



BENCHMARKS

BM#1: "□" CUT TOP OF S. CURB 29TH ST. N.
 @ C/L OF CYPRESS.
 ELEV. = 222.80

SURVEY BY: MID-KANSAS ENG. CON. INC.
 411 N. WEBB ROAD
 WICHITA, KS. 67206
 DATE OF SURVEY 5-16-1997

OWNER: KOCH PROPERTIES INC.
 4111 E. 37TH ST. N.
 WICHITA, KS. 67220

MEDITERRANEAN OFFICE PARK ADDITION
 PROJECT NAME
DRAINAGE & UTILITY CONCEPT
 DESIGN TITLE
 CJA DESIGN BDM DRAWN BY.
 CJA CHECKED BY: DATE MAY, 1997
 2029DRNG 1, 1 JOB NO. SHEET/OF

 MID-KANSAS ENGINEERING CONSULTANTS, INC.
 411 N. WEBB ROAD
 WICHITA, KS. 67206
 316-684-9600