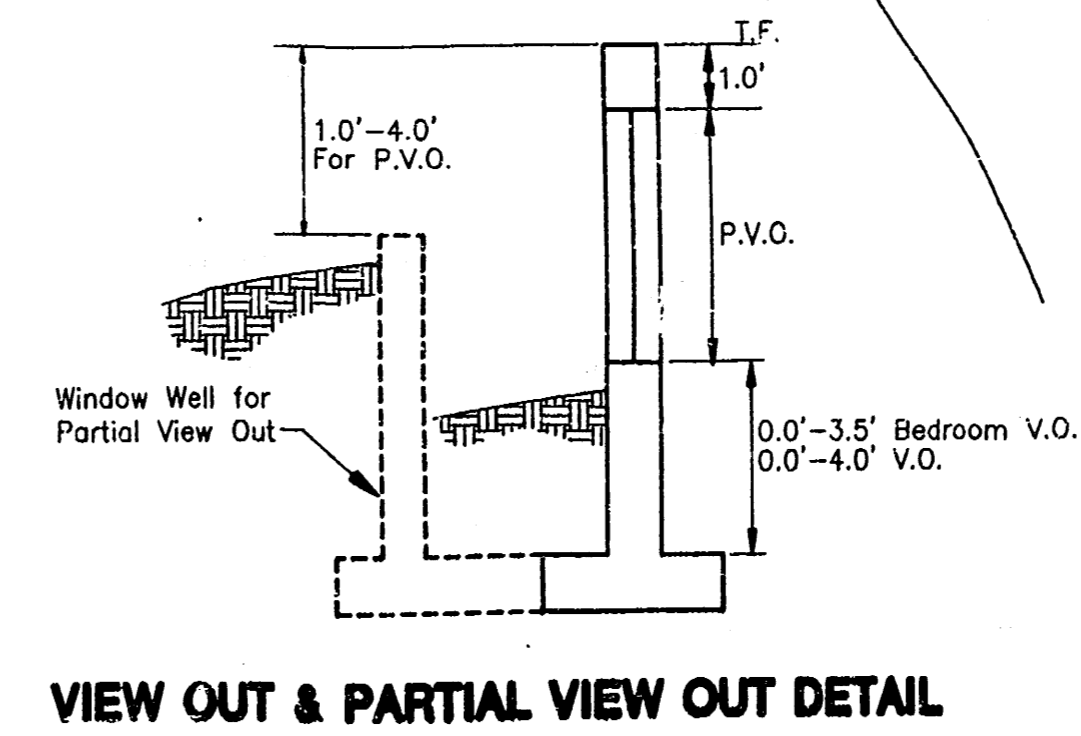


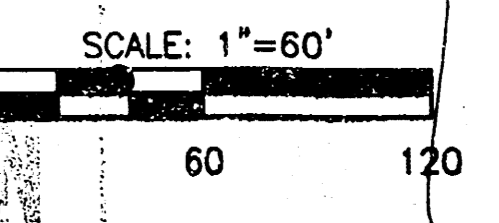
MINIMUM PAD ELEVATIONS (LOWEST OPENINGS)			
LOTS	BLOCK	ELEVATION (CITY DATUM)	ELEVATION (USGS)
1-18	8	95.0	1282.4
1-8	9	95.0	1282.4
1-7	10	95.0	1282.4
1-13	11	95.0	1282.4

**LEGEND**

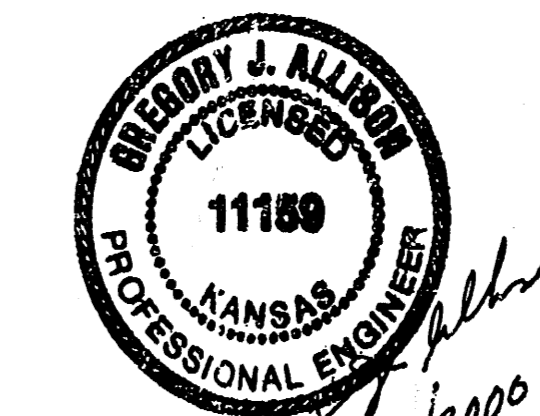
- VO VIEW OUT
- WO WALK OUT
- PVO PARTIAL VIEW OUT
- PWO PARTIAL WALK OUT
- NO VO NO VIEW OUT



APPROVED  
DRAINAGE PLAN



REVISED 4/7/00



**THE LEGACY ADDITION**  
PROJECT NAME  
**GRADING PLAN PHASE 1**  
SHEET TITLE

ASH DESIGN BY: [Signature] RKH CHECKED BY: [Signature] GLA