

FOUR CORNER PLAN
PRAIRIE POINTE
 AN ADDITION TO WICHITA, SEDGWICK COUNTY, KANSAS

Center of
 Sec. 30, T26S, R1W
 Found Stone 30" Deep
 Reset 3/4" Pipe
 w/PEC Cap

SCALE: 1" = 100'

AREA REPLATTED AS:
 PRAIRIE POINTE 2ND, AN ADDITION TO
 WICHITA, SEDGWICK COUNTY, KANSAS.

E 1/4 Corner, Sec. 30
 Twp. 26S, R1W
 Found #4 Bar w/ Moehring
 Cap

N.E. Cor., SE 1/4, SE 1/4
 Sec. 30, T26S, R1W
 No Monument Found

MINIMUM OPENINGS	ELEVATION (N.G.V.D.)	CITY DATUM
BLOCK 1		
LOTS 4-6, 13-16, 40-42	1359.0	171.6
LOT 39	1360.0	172.6
LOTS 1-3, 7, 17, 24	1360.5	173.1
LOTS 8-12, 18-23	1361.9	174.5
LOT 25	1361.6	174.2
LOTS 28-30	1362.3	174.9
LOTS 26-27, 31-37	1362.6	175.2
BLOCK 2		
LOTS 1-6	1359.0	171.6
LOTS 7-10	1360.0	172.6
LOTS 11-12	1361.0	173.6
BLOCK 3		
LOTS 1-10	1360.5	173.1
BLOCK 4		
LOTS 1-33	1360.5	173.1
BLOCK 5		
LOTS 14-17	1361.6	174.2
LOTS 11-13	1362.0	174.6
LOTS 7-10	1362.7	175.3
LOTS 1-6	1363.6	176.4

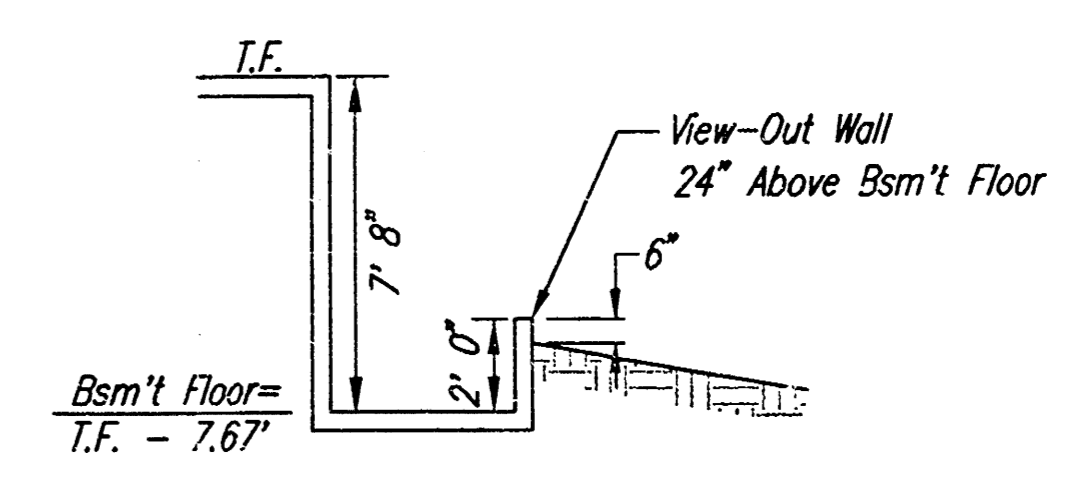
LEGEND

- (X) STD. BASEMENT
- (WO) WALK-OUT BASEMENT
- (VO) VIEW-OUT BASEMENT
- STORM WATER FLOW
- SPOT ELEVATION
- W.O. WALK-OUT
- V.O. VIEW-OUT
- T.F. TOP OF FOUNDATION
- * MATCH EXISTING

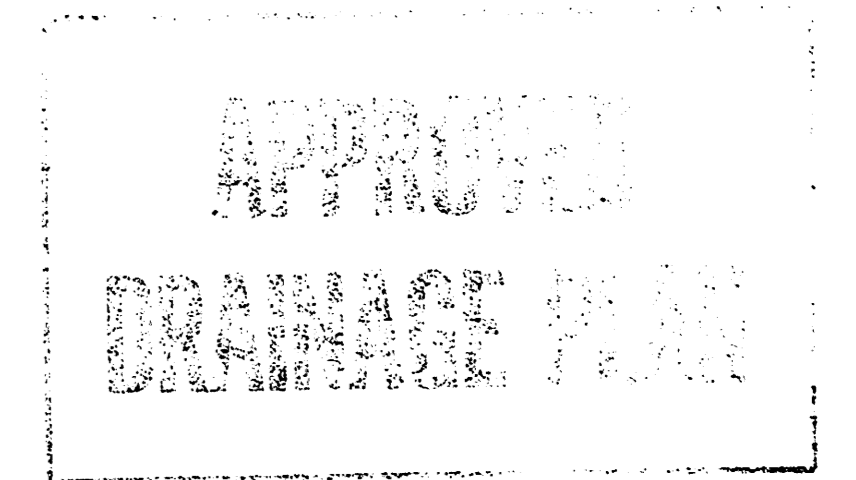
VO OR WO WAS CONSIDERED ACCEPTABLE
 IF THE TOP OF FOUNDATION WAS 3' OR
 LESS ABOVE THE FRONT PROPERTY LINE.

LOT CORNER ELEVATIONS SHOWN REFLECT
 THE WALK GRADE WITH STD. CURB UNLESS
 NOTED AS SUCH:

** - WALK GRADE WITH ROLL CURB.



SPECIAL VIEW-OUT SECTION



REVISED JULY 13, 2005
 REVISED JUNE 7, 2005

PRAIRIE POINTE

DSNR: SAW OPER: SAW SCALE: 1"=100.00
 Q: 2002/02/26 (LC) 02726 (MG) 4CORNER 07-13-2005 09:15:00 am

S.W. Cor. SE 1/4 of
 Sec. 30, Twp. 26S, R1W
 Found 1" Iron Pipe

S.E. Corner
 Sec. 30, T26S, R1W
 Found 1/2" Rebar
 w/ Moehring Cap

