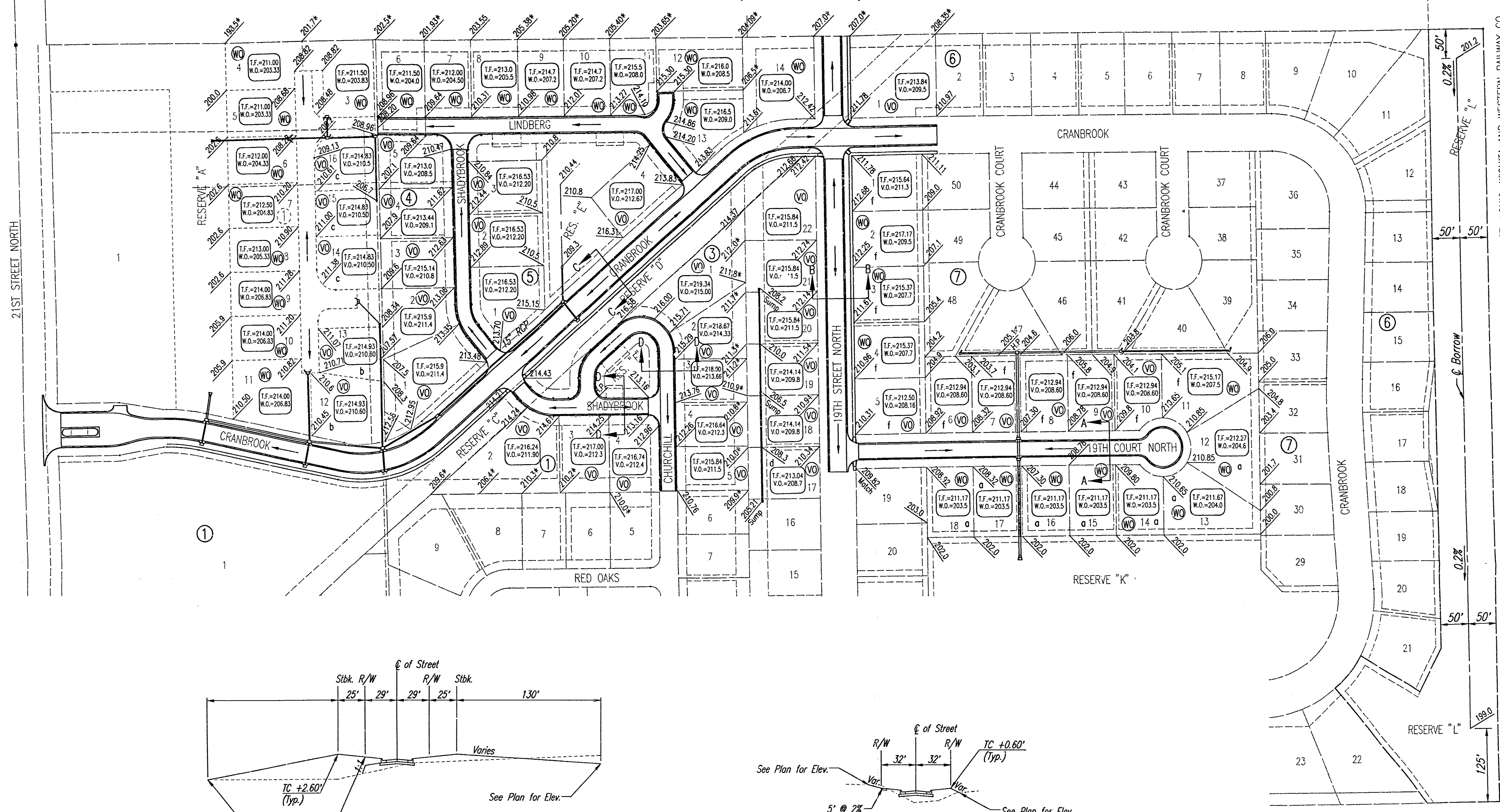


REMINGTON PLACE
AN ADDITION TO WICHITA, SEDGWICK COUNTY, KANSAS

SCALE: 1" = 100'

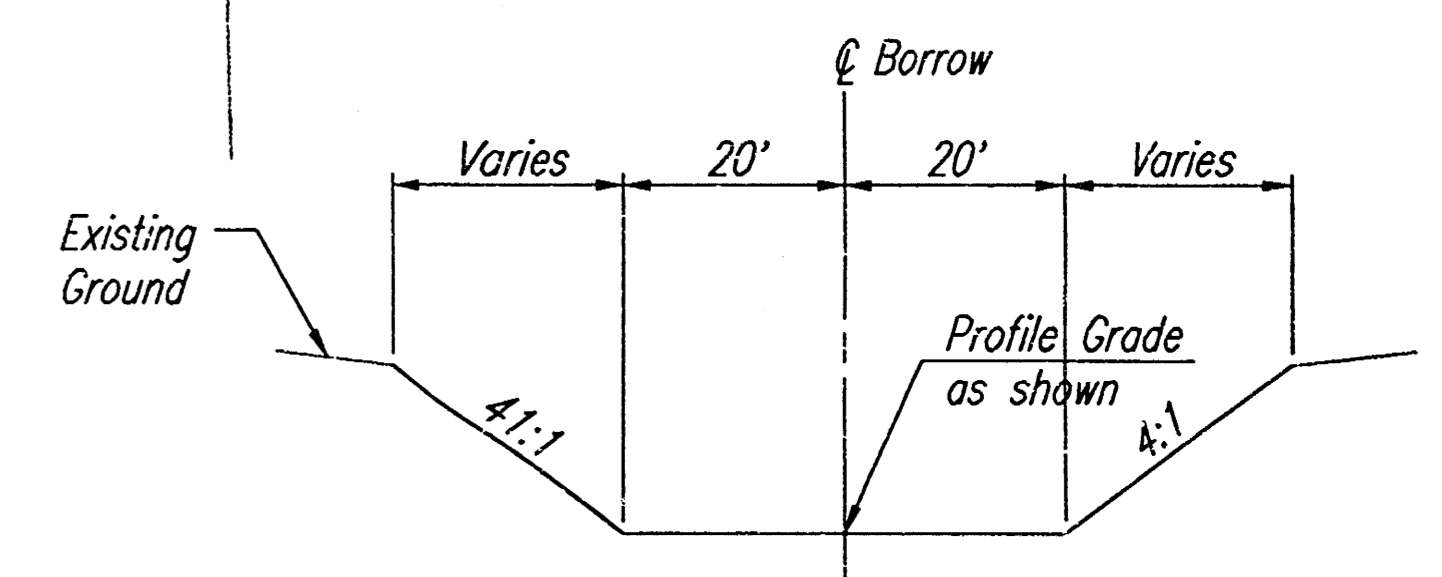
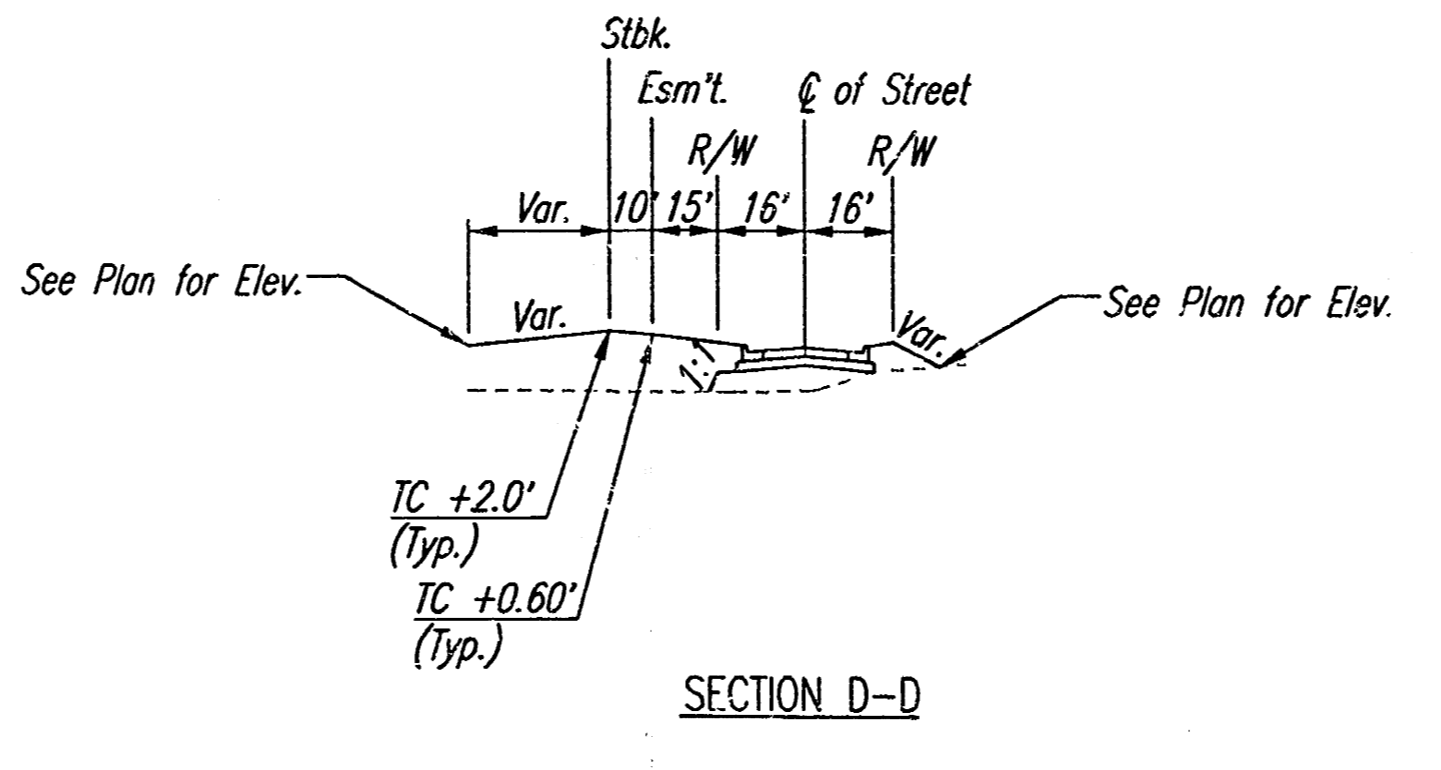
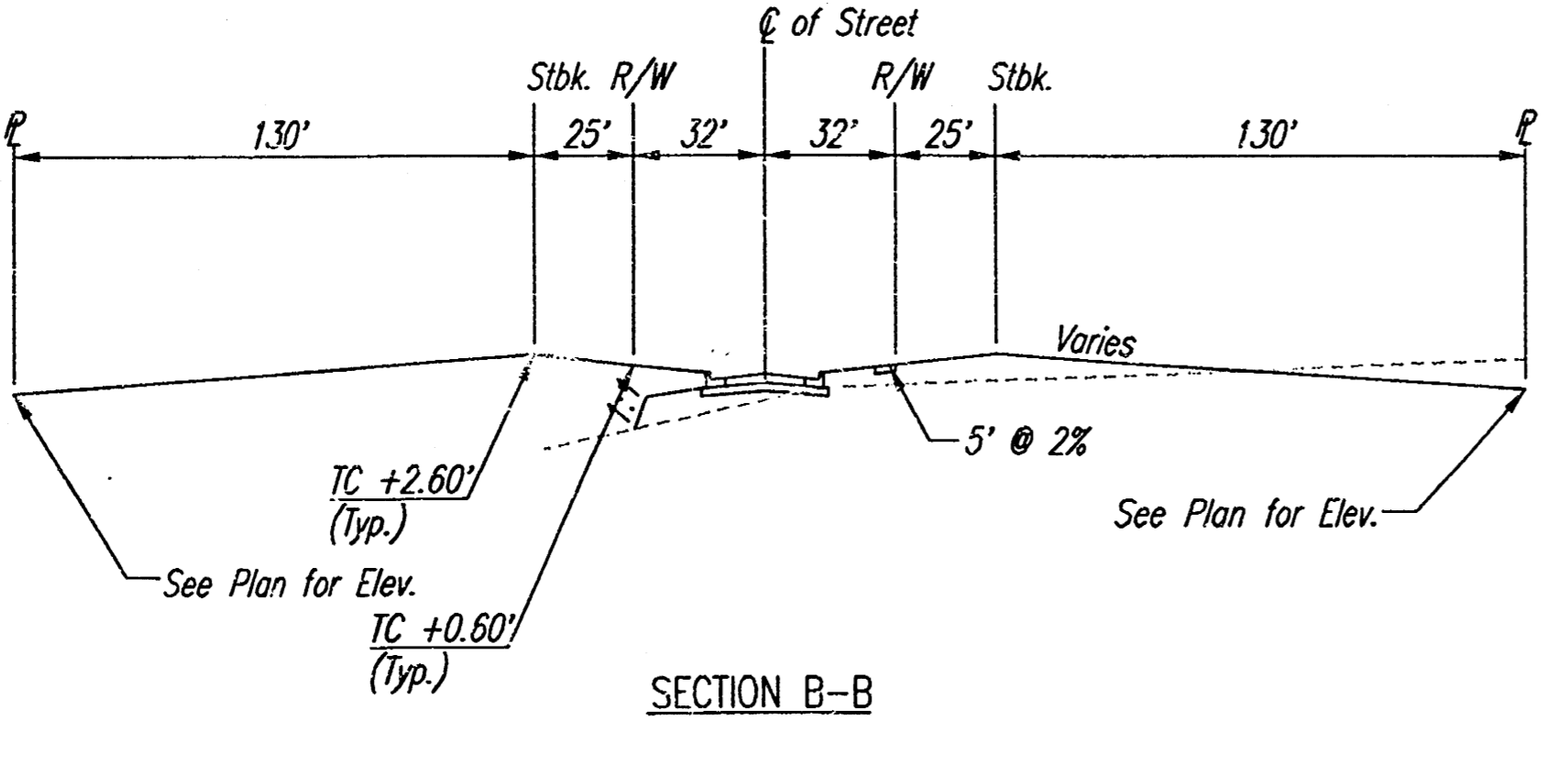
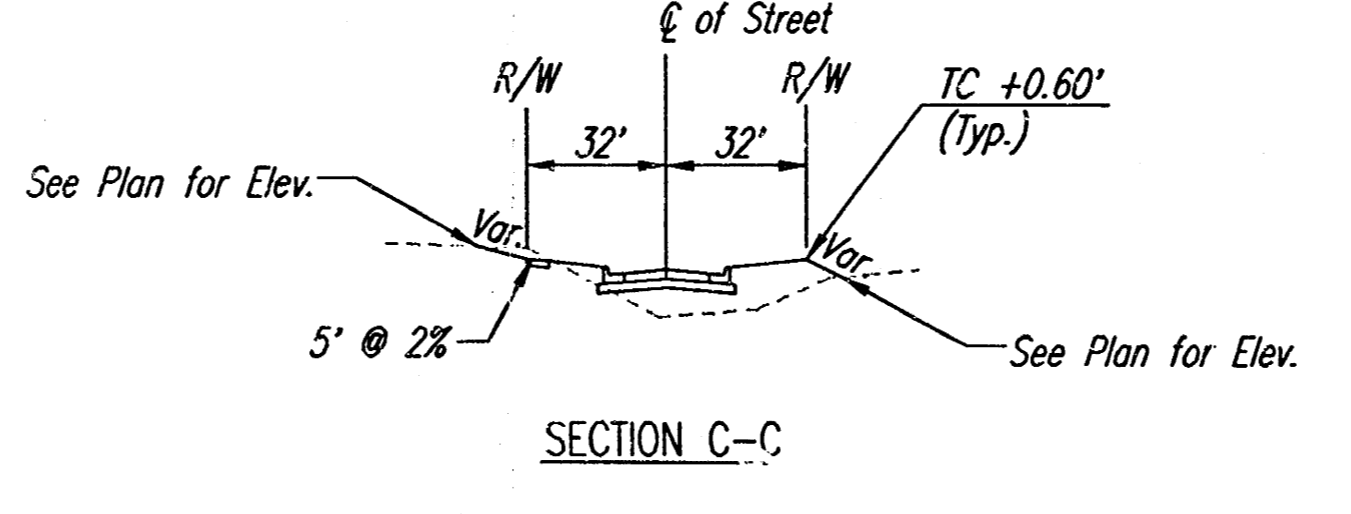
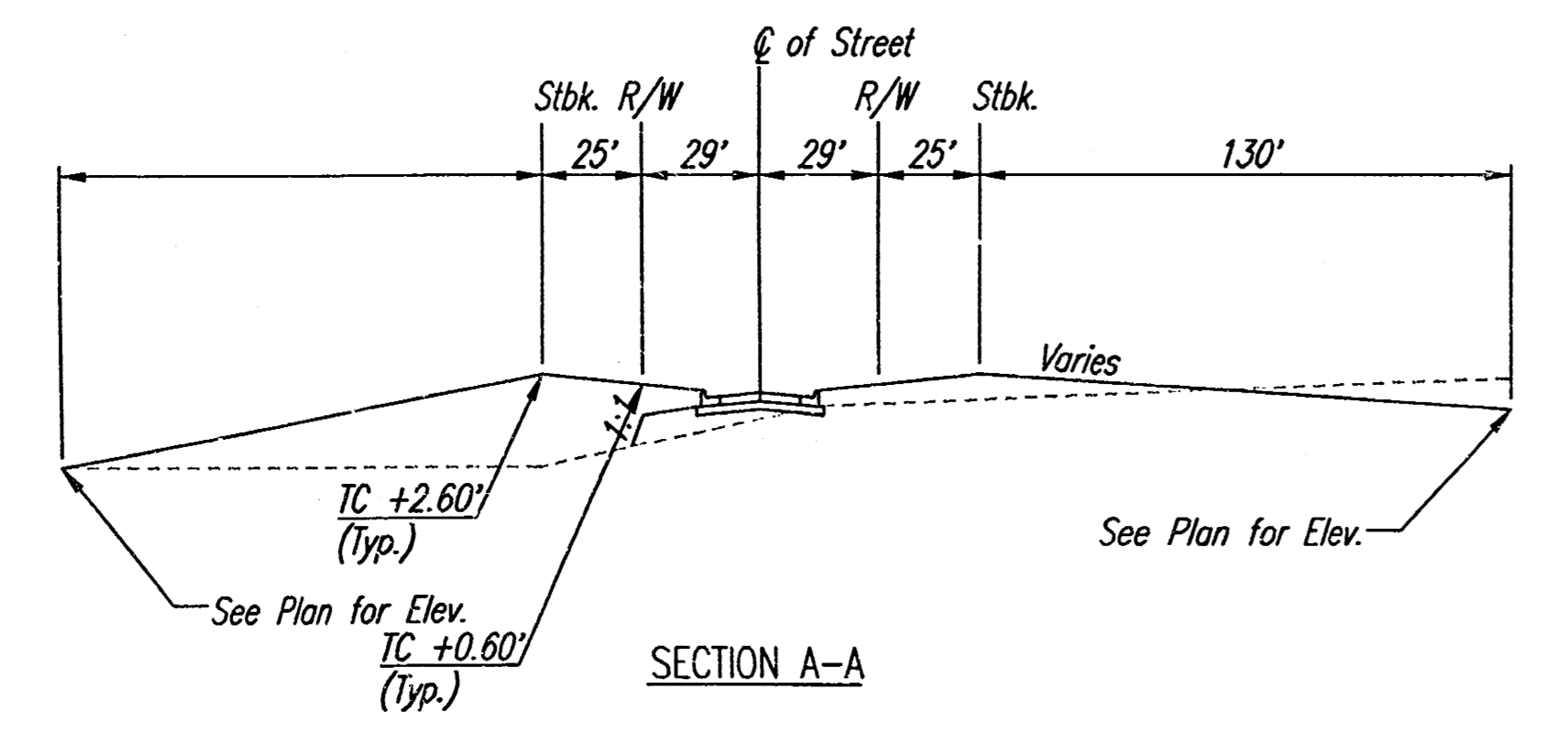


PROJECT NO.	SHEET NO.	TOTAL SHEETS
472-83376	30	50

- a MINIMUM OPENING= 203.5
- b MINIMUM OPENING= 210.6
- c MINIMUM OPENING= 210.5
- d MINIMUM OPENING= 208.7
- f MINIMUM OPENING= 207.5

- (X) STD. BASEMENT
- (VO) VIEW-OUT BASEMENT
- (WC) WALK-OUT BASEMENT
- * MATCH EXISTING

**APPROVED
DRAINAGE PLAN**



REMINGTON PLACE
REMINGTON PLACE - PHASE 2
FOUR CORNER LOT GRADING

Professional Engineering Consultants, P.A.
303 S. TOPEKA - WICHITA, KANSAS 67202
316-262-2691 • FAX 316-262-3003

Designed by	BER	Checked by	
Drawn by	SAW	Date	DEC., 2002
		Job No.	02398

→ REVISED 05/13/03

DENR: SNW OFFER: SCALE: 1"=100.00
03/26/02 02:29:58 (V00) CHANGE ORDER 05-13-2003 02:14:16 pm