

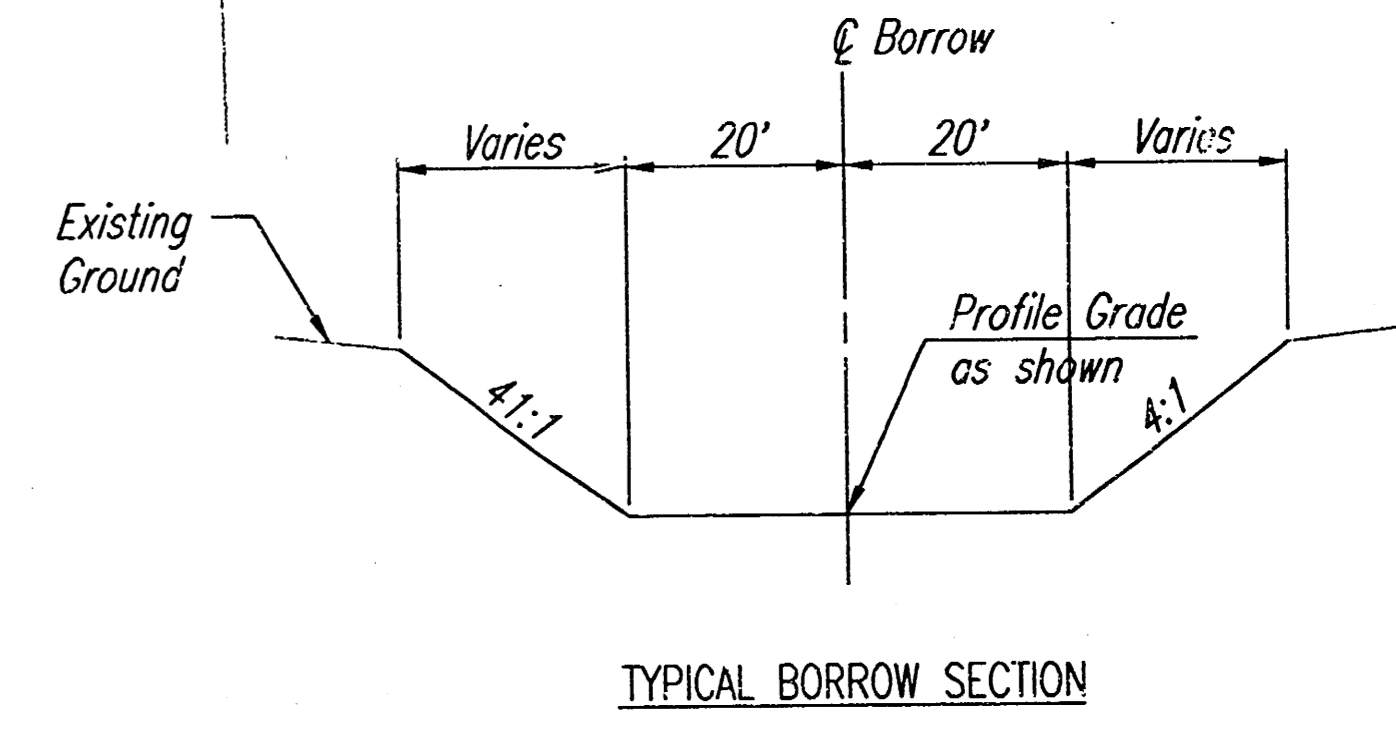
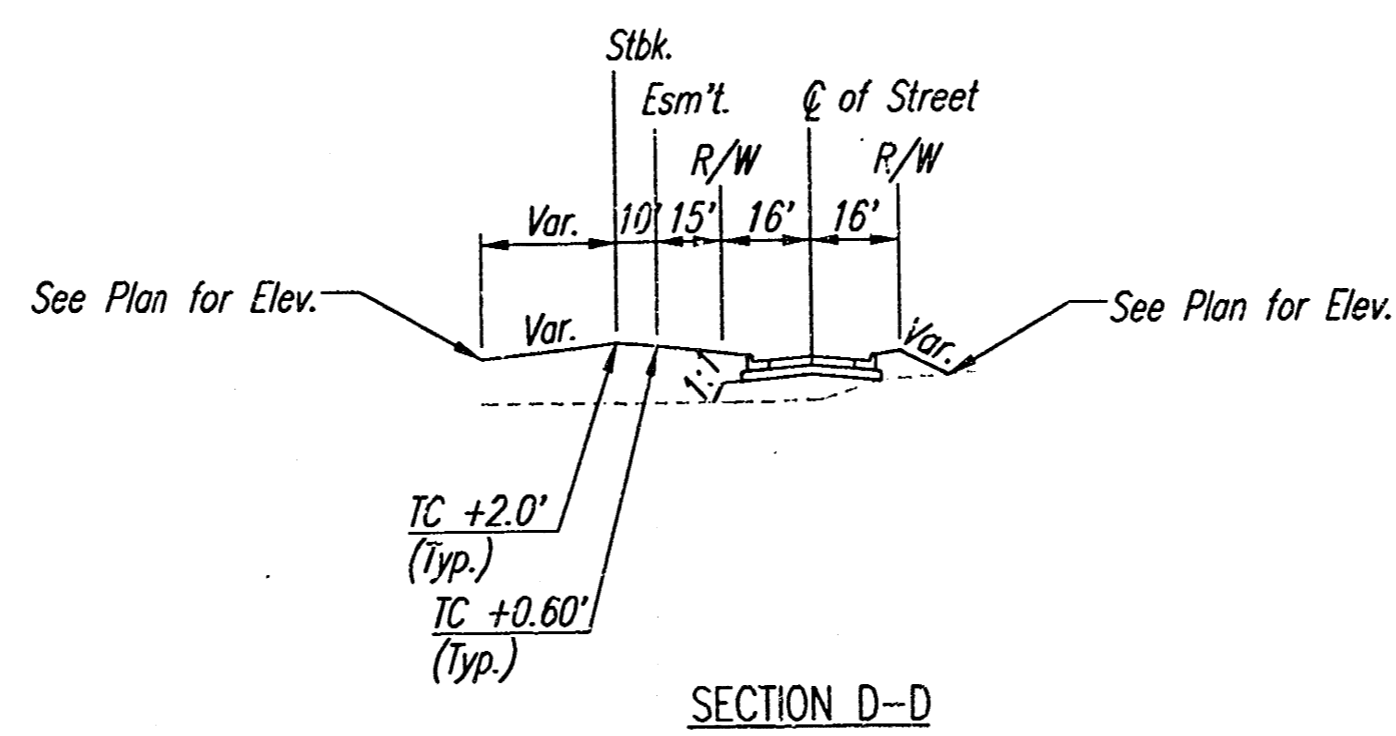
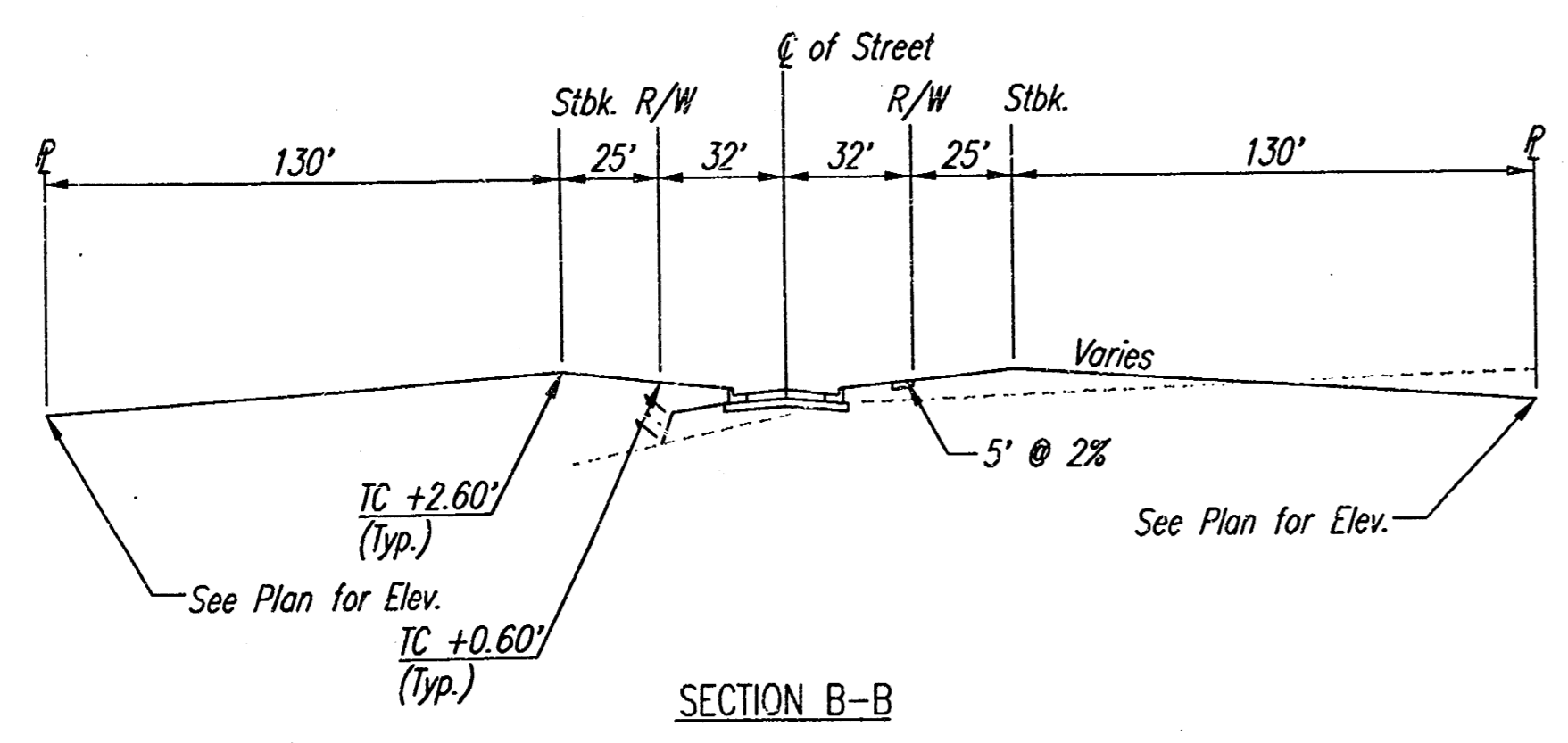
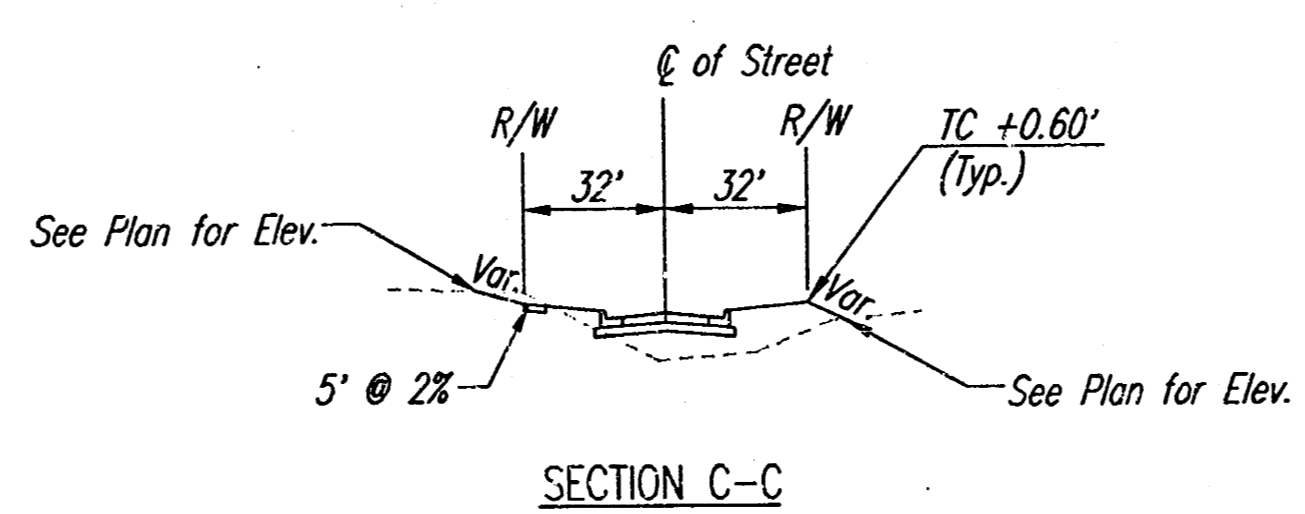
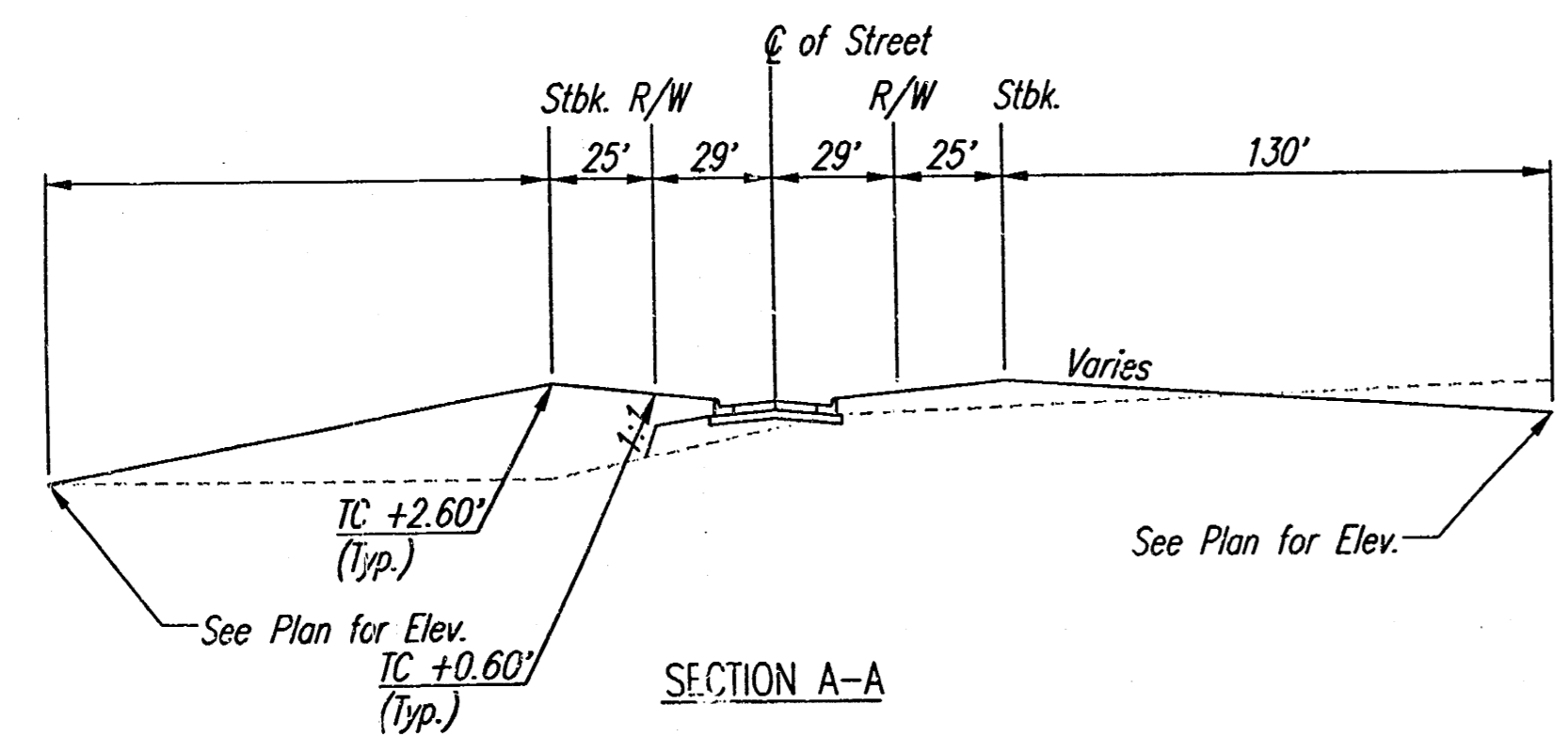
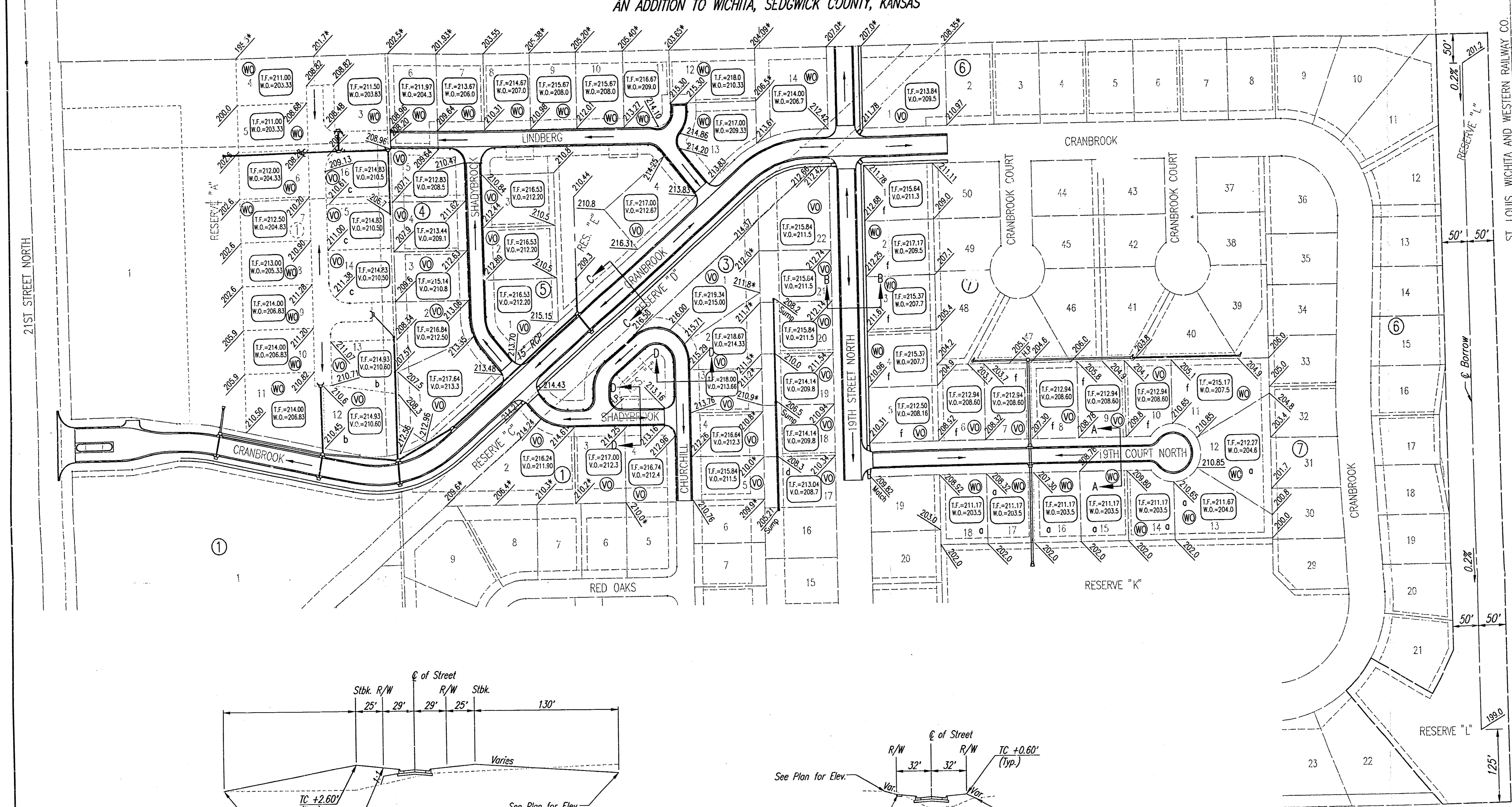
REMINGTON PLACE
AN ADDITION TO WICHITA, SEDGWICK COUNTY, KANSAS

SCALE: 1" = 100'

PROJECT NO.	SHEET NO.	TOTAL SHEETS
472-83376	30	50

- a MINIMUM OPENING= 203.5
- b MINIMUM OPENING= 210.6
- c MINIMUM OPENING= 210.5
- d MINIMUM OPENING= 208.7
- f MINIMUM OPENING= 207.5

- (X) STD. BASEMENT
- (VO) VIEW-OUT BASEMENT
- (WC) WALK-OUT BASEMENT
- * MATCH EXISTING



APPROVED DRAINAGE PLAN

Remington Place

REVISED DEC 2002
REMINGTON PLACE - PHASE 2

FOUR CORNER LOT GRADING

Professional Engineering Consultants, P.A.
303 S. TOPICKA - WICHITA, KANSAS 67202
316-262-2691 • FAX 316-262-3003

Designed by BER
Drawn by SAW
Checked by
Date DEC., 2002
Job No. 02398

DSNR: SAO OPER: SAW SCALE: 1"=100.00
03/2002 02:39:50 000\4CORNER 04-08-2003 05:14:09 pm