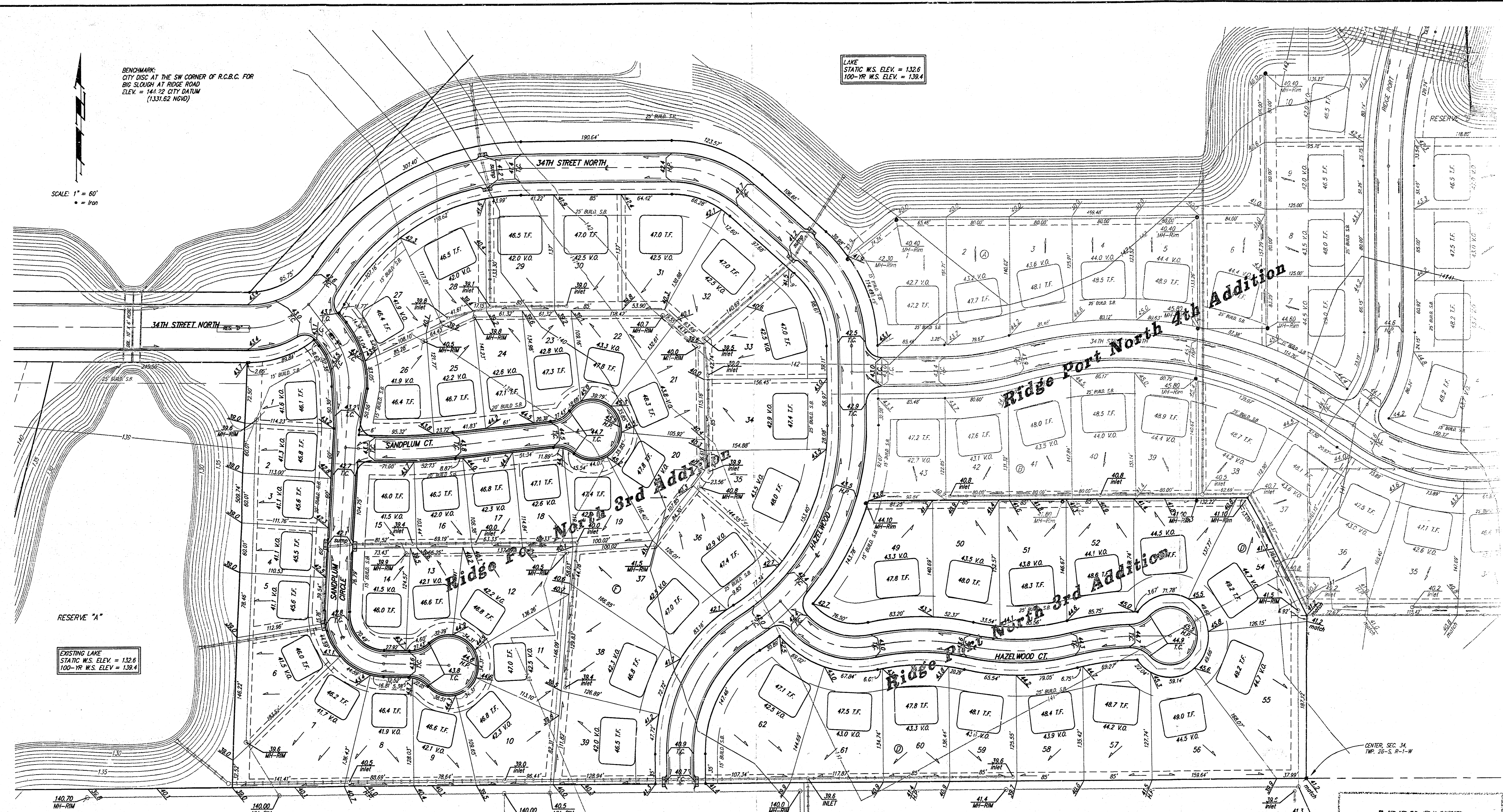


BENCHMARK:  
CITY B.C. AT THE SW CORNER OF R.C.B.C. FOR  
BIG SLOUGH AT RIDGE ROAD  
ELEV. = 144.22 CITY DATUM  
(1337.62 NGVD)

LAKE  
STATIC W.S. ELEV. = 132.6  
100-YR W.S. ELEV. = 138.4

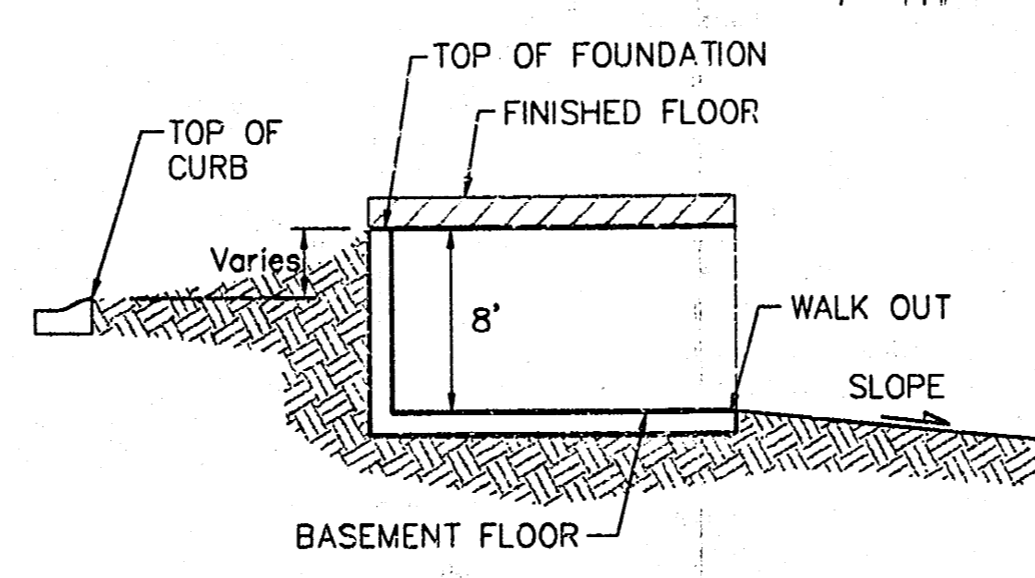


RESERVE "A"  
EXISTING LAKE  
STATIC W.S. ELEV. = 132.6  
100-YR W.S. ELEV. = 138.4

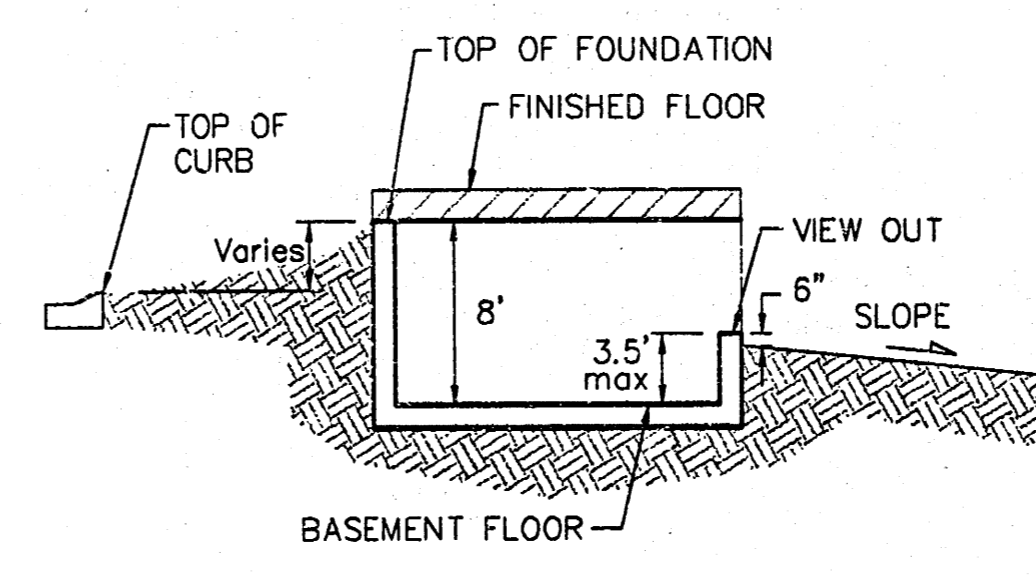
NOTES:  
Proposed Top of Foundation Elevations Are Shown On Plans. Contractor to Set Finished Floor Elevations.  
All Street Elevations Shown on Plans Are for Top of Curb (Full-Height).  
This Grading Plan is Designed with View-Out & Walk-Out Basements. Elevations Shown at Rear of House (XX.X V.O. or XX.X W.O.) Are for Minimum Opening.

LOT	BLOCK	CITY DATUM	NGVD
17-23	B	140.6	1328.0
1-7	C	140.6	1328.0
15-19, 20-24	D	140.6	1328.0
1-5, 7-14, 16, 21	E	140.6	1328.0
1-7	F	139.6	1327.0
1-7	G	139.6	1327.0

\* Denotes Extra-Deep Foundation May be Required to Reach Existing Grade.



TYPICAL WALK OUT  
NO SCALE



TYPICAL VIEW OUT  
NO SCALE

**APPROVED**  
**DRAINAGE PLAN**

RIDGE PORT NORTH 3RD ADDITION  
**GRADING PLAN**  
WICHITA, KANSAS

**BAUGHMAN COMPANY P.A.**  
ENGINEERING, SURVEYING, & PLANNING  
316-262-7271 • 315 ELLIS • WICHITA, KANSAS 67211

DESIGN	DRAWN	APPROVED	DATE	SCALE
NBW	BLG		02/05/01	1"=60'

RAT CARD MARKED!

SHEET  
**1**  
OF  
**1**