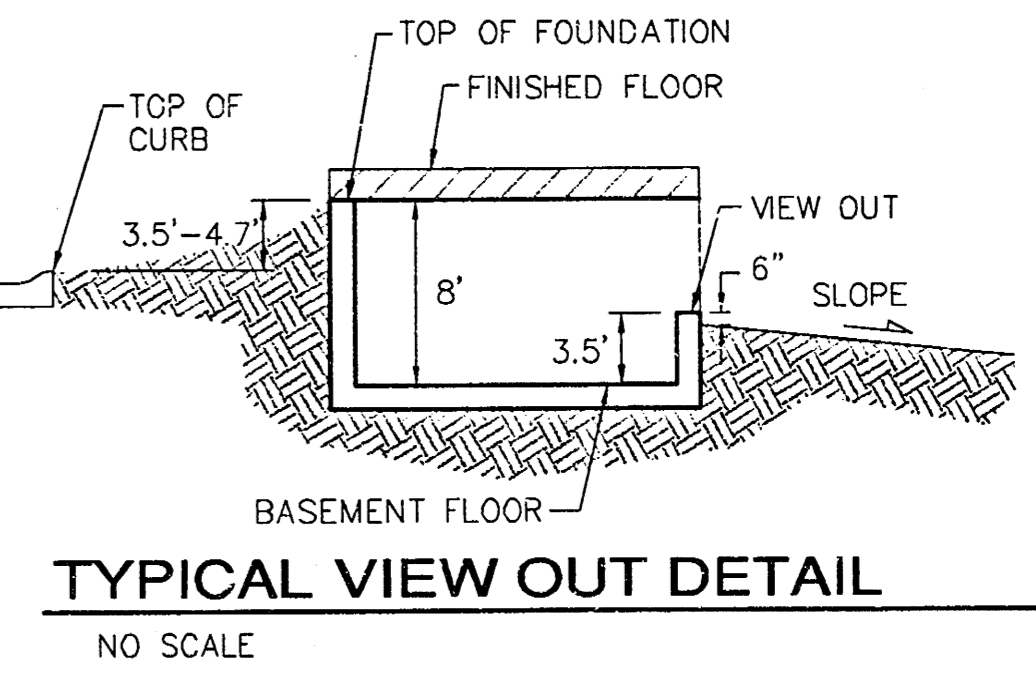
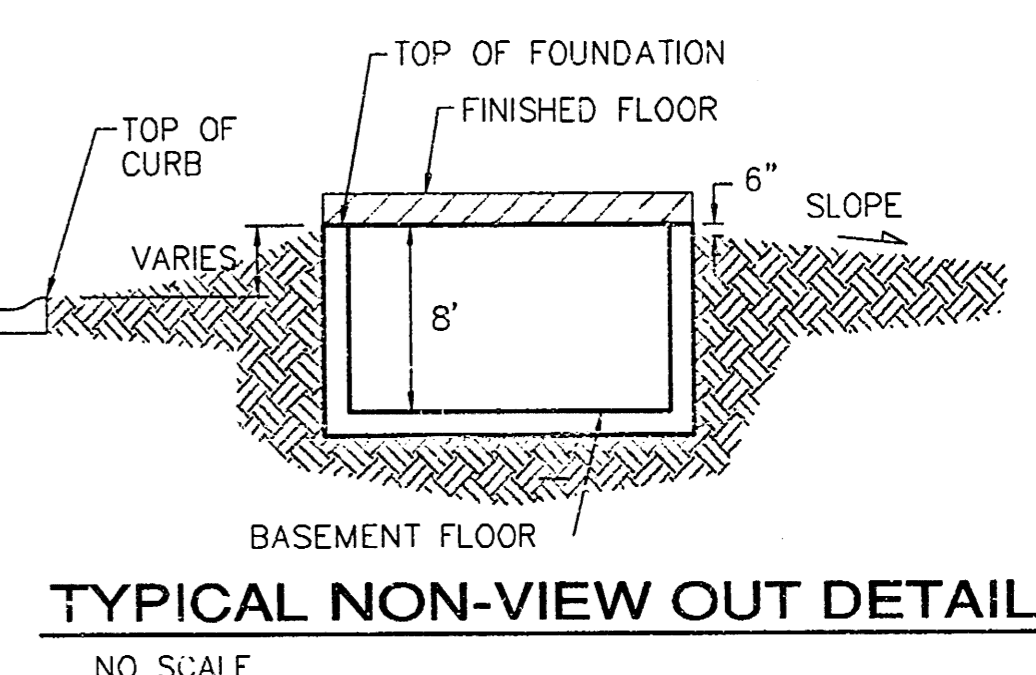
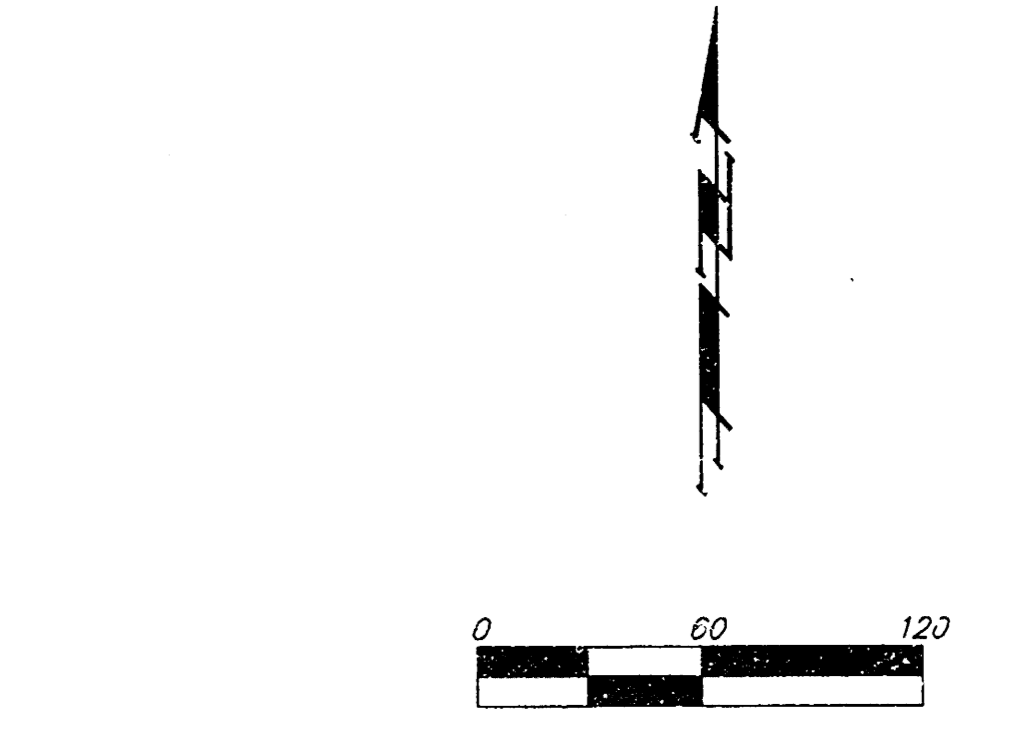


Lot Split Legal Descriptions

- Legal Description "A"**
Lot 1, Block A, Southern Ridge Addition, Wichita, Sedgewick County, Kansas, except the west 6.47 feet thereof, TOGETHER with the west 20.47 feet of Lot 2 in said Block A.
- Legal Description "B"**
Lot 2, Block A, Southern Ridge Addition, Wichita, Sedgewick County, Kansas, except the west 20.47 feet thereof, TOGETHER with the west 6.47 feet of Lot 1 in said Block A.
- Legal Description "C"**
Lot 3, Block A, Southern Ridge Addition, Wichita, Sedgewick County, Kansas, except the west 20.17 feet thereof, TOGETHER with the west 34.77 feet of Lot 4 in said Block A.
- Legal Description "D"**
Lot 4, Block A, Southern Ridge Addition, Wichita, Sedgewick County, Kansas, except the west 34.77 feet thereof, TOGETHER with the west 20.17 feet of Lot 3 in said Block A.
- Legal Description "E"**
Lot 5, Block A, Southern Ridge Addition, Wichita, Sedgewick County, Kansas, except the west 46.47 feet thereof, TOGETHER with the west 60.47 feet of Lot 6 in said Block A.
- Legal Description "F"**
Lot 6, Block A, Southern Ridge Addition, Wichita, Sedgewick County, Kansas, except the west 60.47 feet thereof, TOGETHER with the west 46.47 feet of Lot 5 in said Block A.
- Legal Description "G"**
Lot 7, Block A, Southern Ridge Addition, Wichita, Sedgewick County, Kansas, except the north 31.00 feet thereof, TOGETHER with the north 19.00 feet of Lot 8 in said Block A.
- Legal Description "H"**
Lot 8, Block A, Southern Ridge Addition, Wichita, Sedgewick County, Kansas, except the north 19.00 feet thereof, TOGETHER with the north 31.00 feet of Lot 7 in said Block A.
- Legal Description "I"**
Lot 9, Block A, Southern Ridge Addition, Wichita, Sedgewick County, Kansas, except the north 31.00 feet thereof, TOGETHER with the north 19.00 feet of Lot 8 in said Block A.
- Legal Description "J"**
Lot 10, Block A, Southern Ridge Addition, Wichita, Sedgewick County, Kansas, except the north 19.00 feet thereof, TOGETHER with the north 31.00 feet of Lot 9 in said Block A.
- Legal Description "K"**
Lot 11, Block A, Southern Ridge Addition, Wichita, Sedgewick County, Kansas, except the north 31.00 feet thereof, TOGETHER with the north 19.00 feet of Lot 10 in said Block A.
- Legal Description "L"**
Lot 12, Block A, Southern Ridge Addition, Wichita, Sedgewick County, Kansas, except the north 19.00 feet thereof, TOGETHER with the north 31.00 feet of Lot 11 in said Block A.
- Legal Description "M"**
Lot 13, Block A, Southern Ridge Addition, Wichita, Sedgewick County, Kansas, except the north 31.00 feet thereof, TOGETHER with the north 19.00 feet of Lot 12 in said Block A.
- Legal Description "N"**
Lot 14, Block A, Southern Ridge Addition, Wichita, Sedgewick County, Kansas, except the north 19.00 feet thereof, TOGETHER with the north 31.00 feet of Lot 13 in said Block A.
- Legal Description "O"**
Lot 15, Block A, Southern Ridge Addition, Wichita, Sedgewick County, Kansas, except the north 31.00 feet thereof, TOGETHER with the north 19.00 feet of Lot 14 in said Block A.
- Legal Description "P"**
Lot 16, Block A, Southern Ridge Addition, Wichita, Sedgewick County, Kansas, except the north 19.00 feet thereof, TOGETHER with the north 31.00 feet of Lot 15 in said Block A.
- Legal Description "Q"**
Lot 17, Block A, Southern Ridge Addition, Wichita, Sedgewick County, Kansas, except the north 31.00 feet thereof, TOGETHER with the north 19.00 feet of Lot 16 in said Block A.
- Legal Description "R"**
Lot 18, Block A, Southern Ridge Addition, Wichita, Sedgewick County, Kansas, except the north 19.00 feet thereof, TOGETHER with the north 31.00 feet of Lot 17 in said Block A.
- Legal Description "S"**
Lot 19, Block A, Southern Ridge Addition, Wichita, Sedgewick County, Kansas, except the north 31.00 feet thereof, TOGETHER with the north 19.00 feet of Lot 18 in said Block A.
- Legal Description "T"**
Lot 20, Block A, Southern Ridge Addition, Wichita, Sedgewick County, Kansas, except the north 19.00 feet thereof, TOGETHER with the north 31.00 feet of Lot 19 in said Block A.
- Legal Description "U"**
Lot 21, Block A, Southern Ridge Addition, Wichita, Sedgewick County, Kansas, except the north 31.00 feet thereof, TOGETHER with the north 19.00 feet of Lot 20 in said Block A.
- Legal Description "V"**
Lot 22, Block A, Southern Ridge Addition, Wichita, Sedgewick County, Kansas, except the north 19.00 feet thereof, TOGETHER with the north 31.00 feet of Lot 21 in said Block A.
- Legal Description "W"**
Lot 23, Block A, Southern Ridge Addition, Wichita, Sedgewick County, Kansas, except the north 31.00 feet thereof, TOGETHER with the north 19.00 feet of Lot 22 in said Block A.
- Legal Description "X"**
Lot 24, Block A, Southern Ridge Addition, Wichita, Sedgewick County, Kansas, except the north 19.00 feet thereof, TOGETHER with the north 31.00 feet of Lot 23 in said Block A.
- Legal Description "Y"**
Lot 25, Block A, Southern Ridge Addition, Wichita, Sedgewick County, Kansas, except the north 31.00 feet thereof, TOGETHER with the north 19.00 feet of Lot 24 in said Block A.
- Legal Description "Z"**
Lot 26, Block A, Southern Ridge Addition, Wichita, Sedgewick County, Kansas, except the north 19.00 feet thereof, TOGETHER with the north 31.00 feet of Lot 25 in said Block A.
- Legal Description "AA"**
Lot 27, Block A, Southern Ridge Addition, Wichita, Sedgewick County, Kansas, except the north 31.00 feet thereof, TOGETHER with the north 19.00 feet of Lot 26 in said Block A.
- Legal Description "AB"**
Lot 28, Block A, Southern Ridge Addition, Wichita, Sedgewick County, Kansas, except the north 19.00 feet thereof, TOGETHER with the north 31.00 feet of Lot 27 in said Block A.
- Legal Description "AC"**
Lot 29, Block A, Southern Ridge Addition, Wichita, Sedgewick County, Kansas, except the north 31.00 feet thereof, TOGETHER with the north 19.00 feet of Lot 28 in said Block A.
- Legal Description "AD"**
Lot 30, Block A, Southern Ridge Addition, Wichita, Sedgewick County, Kansas, except the north 19.00 feet thereof, TOGETHER with the north 31.00 feet of Lot 29 in said Block A.
- Legal Description "AE"**
Lot 31, Block A, Southern Ridge Addition, Wichita, Sedgewick County, Kansas, except the north 31.00 feet thereof, TOGETHER with the north 19.00 feet of Lot 30 in said Block A.
- Legal Description "AF"**
Lot 32, Block A, Southern Ridge Addition, Wichita, Sedgewick County, Kansas, except the north 19.00 feet thereof, TOGETHER with the north 31.00 feet of Lot 31 in said Block A.
- Legal Description "AG"**
Lot 33, Block A, Southern Ridge Addition, Wichita, Sedgewick County, Kansas, except the north 31.00 feet thereof, TOGETHER with the north 19.00 feet of Lot 32 in said Block A.
- Legal Description "AH"**
Lot 34, Block A, Southern Ridge Addition, Wichita, Sedgewick County, Kansas, except the north 19.00 feet thereof, TOGETHER with the north 31.00 feet of Lot 33 in said Block A.
- Legal Description "AI"**
Lot 35, Block A, Southern Ridge Addition, Wichita, Sedgewick County, Kansas, except the north 31.00 feet thereof, TOGETHER with the north 19.00 feet of Lot 34 in said Block A.
- Legal Description "AJ"**
Lot 36, Block A, Southern Ridge Addition, Wichita, Sedgewick County, Kansas, except the north 19.00 feet thereof, TOGETHER with the north 31.00 feet of Lot 35 in said Block A.
- Legal Description "AK"**
Lot 37, Block A, Southern Ridge Addition, Wichita, Sedgewick County, Kansas, except the north 31.00 feet thereof, TOGETHER with the north 19.00 feet of Lot 36 in said Block A.
- Legal Description "AL"**
Lot 38, Block A, Southern Ridge Addition, Wichita, Sedgewick County, Kansas, except the north 19.00 feet thereof, TOGETHER with the north 31.00 feet of Lot 37 in said Block A.
- Legal Description "AM"**
Lot 39, Block A, Southern Ridge Addition, Wichita, Sedgewick County, Kansas, except the north 31.00 feet thereof, TOGETHER with the north 19.00 feet of Lot 38 in said Block A.
- Legal Description "AN"**
Lot 40, Block A, Southern Ridge Addition, Wichita, Sedgewick County, Kansas, except the north 19.00 feet thereof, TOGETHER with the north 31.00 feet of Lot 39 in said Block A.
- Legal Description "AO"**
Lot 41, Block A, Southern Ridge Addition, Wichita, Sedgewick County, Kansas, except the north 31.00 feet thereof, TOGETHER with the north 19.00 feet of Lot 40 in said Block A.
- Legal Description "AP"**
Lot 42, Block A, Southern Ridge Addition, Wichita, Sedgewick County, Kansas, except the north 19.00 feet thereof, TOGETHER with the north 31.00 feet of Lot 41 in said Block A.
- Legal Description "AQ"**
Lot 43, Block A, Southern Ridge Addition, Wichita, Sedgewick County, Kansas, except the north 31.00 feet thereof, TOGETHER with the north 19.00 feet of Lot 42 in said Block A.
- Legal Description "AR"**
Lot 44, Block A, Southern Ridge Addition, Wichita, Sedgewick County, Kansas, except the north 19.00 feet thereof, TOGETHER with the north 31.00 feet of Lot 43 in said Block A.
- Legal Description "AS"**
Lot 45, Block A, Southern Ridge Addition, Wichita, Sedgewick County, Kansas, except the north 31.00 feet thereof, TOGETHER with the north 19.00 feet of Lot 44 in said Block A.
- Legal Description "AT"**
Lot 46, Block A, Southern Ridge Addition, Wichita, Sedgewick County, Kansas, except the north 19.00 feet thereof, TOGETHER with the north 31.00 feet of Lot 45 in said Block A.
- Legal Description "AU"**
Lot 47, Block A, Southern Ridge Addition, Wichita, Sedgewick County, Kansas, except the north 31.00 feet thereof, TOGETHER with the north 19.00 feet of Lot 46 in said Block A.
- Legal Description "AV"**
Lot 48, Block A, Southern Ridge Addition, Wichita, Sedgewick County, Kansas, except the north 19.00 feet thereof, TOGETHER with the north 31.00 feet of Lot 47 in said Block A.
- Legal Description "AW"**
Lot 49, Block A, Southern Ridge Addition, Wichita, Sedgewick County, Kansas, except the north 31.00 feet thereof, TOGETHER with the north 19.00 feet of Lot 48 in said Block A.
- Legal Description "AX"**
Lot 50, Block A, Southern Ridge Addition, Wichita, Sedgewick County, Kansas, except the north 19.00 feet thereof, TOGETHER with the north 31.00 feet of Lot 49 in said Block A.
- Legal Description "AY"**
Lot 51, Block A, Southern Ridge Addition, Wichita, Sedgewick County, Kansas, except the north 31.00 feet thereof, TOGETHER with the north 19.00 feet of Lot 50 in said Block A.
- Legal Description "AZ"**
Lot 52, Block A, Southern Ridge Addition, Wichita, Sedgewick County, Kansas, except the north 19.00 feet thereof, TOGETHER with the north 31.00 feet of Lot 51 in said Block A.
- Legal Description "BA"**
Lot 53, Block A, Southern Ridge Addition, Wichita, Sedgewick County, Kansas, except the north 31.00 feet thereof, TOGETHER with the north 19.00 feet of Lot 52 in said Block A.
- Legal Description "BB"**
Lot 54, Block A, Southern Ridge Addition, Wichita, Sedgewick County, Kansas, except the north 19.00 feet thereof, TOGETHER with the north 31.00 feet of Lot 53 in said Block A.
- Legal Description "BC"**
Lot 55, Block A, Southern Ridge Addition, Wichita, Sedgewick County, Kansas, except the north 31.00 feet thereof, TOGETHER with the north 19.00 feet of Lot 54 in said Block A.
- Legal Description "BD"**
Lot 56, Block A, Southern Ridge Addition, Wichita, Sedgewick County, Kansas, except the north 19.00 feet thereof, TOGETHER with the north 31.00 feet of Lot 55 in said Block A.
- Legal Description "BE"**
Lot 57, Block A, Southern Ridge Addition, Wichita, Sedgewick County, Kansas, except the north 31.00 feet thereof, TOGETHER with the north 19.00 feet of Lot 56 in said Block A.
- Legal Description "BF"**
Lot 58, Block A, Southern Ridge Addition, Wichita, Sedgewick County, Kansas, except the north 19.00 feet thereof, TOGETHER with the north 31.00 feet of Lot 57 in said Block A.
- Legal Description "BG"**
Lot 59, Block A, Southern Ridge Addition, Wichita, Sedgewick County, Kansas, except the north 31.00 feet thereof, TOGETHER with the north 19.00 feet of Lot 58 in said Block A.
- Legal Description "BH"**
Lot 60, Block A, Southern Ridge Addition, Wichita, Sedgewick County, Kansas, except the north 19.00 feet thereof, TOGETHER with the north 31.00 feet of Lot 59 in said Block A.
- Legal Description "BI"**
Lot 61, Block A, Southern Ridge Addition, Wichita, Sedgewick County, Kansas, except the north 31.00 feet thereof, TOGETHER with the north 19.00 feet of Lot 60 in said Block A.
- Legal Description "BJ"**
Lot 62, Block A, Southern Ridge Addition, Wichita, Sedgewick County, Kansas, except the north 19.00 feet thereof, TOGETHER with the north 31.00 feet of Lot 61 in said Block A.
- Legal Description "BK"**
Lot 63, Block A, Southern Ridge Addition, Wichita, Sedgewick County, Kansas, except the north 31.00 feet thereof, TOGETHER with the north 19.00 feet of Lot 62 in said Block A.
- Legal Description "BL"**
Lot 64, Block A, Southern Ridge Addition, Wichita, Sedgewick County, Kansas, except the north 19.00 feet thereof, TOGETHER with the north 31.00 feet of Lot 63 in said Block A.
- Legal Description "BM"**
Lot 65, Block A, Southern Ridge Addition, Wichita, Sedgewick County, Kansas, except the north 31.00 feet thereof, TOGETHER with the north 19.00 feet of Lot 64 in said Block A.
- Legal Description "BN"**
Lot 66, Block A, Southern Ridge Addition, Wichita, Sedgewick County, Kansas, except the north 19.00 feet thereof, TOGETHER with the north 31.00 feet of Lot 65 in said Block A.
- Legal Description "BO"**
Lot 67, Block A, Southern Ridge Addition, Wichita, Sedgewick County, Kansas, except the north 31.00 feet thereof, TOGETHER with the north 19.00 feet of Lot 66 in said Block A.
- Legal Description "BP"**
Lot 68, Block A, Southern Ridge Addition, Wichita, Sedgewick County, Kansas, except the north 19.00 feet thereof, TOGETHER with the north 31.00 feet of Lot 67 in said Block A.
- Legal Description "BQ"**
Lot 69, Block A, Southern Ridge Addition, Wichita, Sedgewick County, Kansas, except the north 31.00 feet thereof, TOGETHER with the north 19.00 feet of Lot 68 in said Block A.
- Legal Description "BR"**
Lot 70, Block A, Southern Ridge Addition, Wichita, Sedgewick County, Kansas, except the north 19.00 feet thereof, TOGETHER with the north 31.00 feet of Lot 69 in said Block A.
- Legal Description "BS"**
Lot 71, Block A, Southern Ridge Addition, Wichita, Sedgewick County, Kansas, except the north 31.00 feet thereof, TOGETHER with the north 19.00 feet of Lot 70 in said Block A.
- Legal Description "BT"**
Lot 72, Block A, Southern Ridge Addition, Wichita, Sedgewick County, Kansas, except the north 19.00 feet thereof, TOGETHER with the north 31.00 feet of Lot 71 in said Block A.
- Legal Description "BU"**
Lot 73, Block A, Southern Ridge Addition, Wichita, Sedgewick County, Kansas, except the north 31.00 feet thereof, TOGETHER with the north 19.00 feet of Lot 72 in said Block A.
- Legal Description "BV"**
Lot 74, Block A, Southern Ridge Addition, Wichita, Sedgewick County, Kansas, except the north 19.00 feet thereof, TOGETHER with the north 31.00 feet of Lot 73 in said Block A.
- Legal Description "BV"**
Lot 75, Block A, Southern Ridge Addition, Wichita, Sedgewick County, Kansas, except the north 31.00 feet thereof, TOGETHER with the north 19.00 feet of Lot 74 in said Block A.
- Legal Description "BW"**
Lot 76, Block A, Southern Ridge Addition, Wichita, Sedgewick County, Kansas, except the north 19.00 feet thereof, TOGETHER with the north 31.00 feet of Lot 75 in said Block A.
- Legal Description "BX"**
Lot 77, Block A, Southern Ridge Addition, Wichita, Sedgewick County, Kansas, except the north 31.00 feet thereof, TOGETHER with the north 19.00 feet of Lot 76 in said Block A.
- Legal Description "BY"**
Lot 78, Block A, Southern Ridge Addition, Wichita, Sedgewick County, Kansas, except the north 19.00 feet thereof, TOGETHER with the north 31.00 feet of Lot 77 in said Block A.
- Legal Description "BZ"**
Lot 79, Block A, Southern Ridge Addition, Wichita, Sedgewick County, Kansas, except the north 31.00 feet thereof, TOGETHER with the north 19.00 feet of Lot 78 in said Block A.
- Legal Description "CA"**
Lot 80, Block A, Southern Ridge Addition, Wichita, Sedgewick County, Kansas, except the north 19.00 feet thereof, TOGETHER with the north 31.00 feet of Lot 79 in said Block A.



MINIMUM BUILDING PAD ELEVATIONS FOR LOWEST OPENING TO THE STRUCTURES

LOT	BLOCK	ELEVATION CITY DATUM
31-48	A	140.0
25-39	C	140.0

BENCHMARK:
City of Wichita Benchmark Dis - SW Corner of the Intersection of Pawnee & Main St. 44' South of centerline 48.8' West of centerline 12' East of fence 65' SW of Sec. corner from Elev. = 135.12 City Datum 1325.52 NGVD29

NOTES:
Proposed Top of Foundation Elevations Are Shown On Plans. Contractor to Set Finished Floor Elevations.
All Street Elevations Shown on Plans Are for Top of Curb (Full-Height).
This Grading Plan is Designed with View-Outs. Elevations Shown at Rear of House (XX.X V.O.).
Lot dimensions have been omitted on this plan, refer to the recorded plat for this information.

*** May Require Extra Deep Foundation**

Revised 9/23/03 by AEG, Lot 31, Block C
Revised 7/23/03 by SMD PER NBW, pad elevations
Revised 6/30/04 by AEG, Min. Pad Table & Lots 26-27, Blk C
Revised 6/4/03 by SMD PER NBW, pad elevations
Revised 5/22/03 by B/LG, lot split legal
Revised 10/31/03 by AEG, Revised Desc A-1, G-L
Revised 15 December 2002 by AEG/B/LG
Revised 11 November 2002

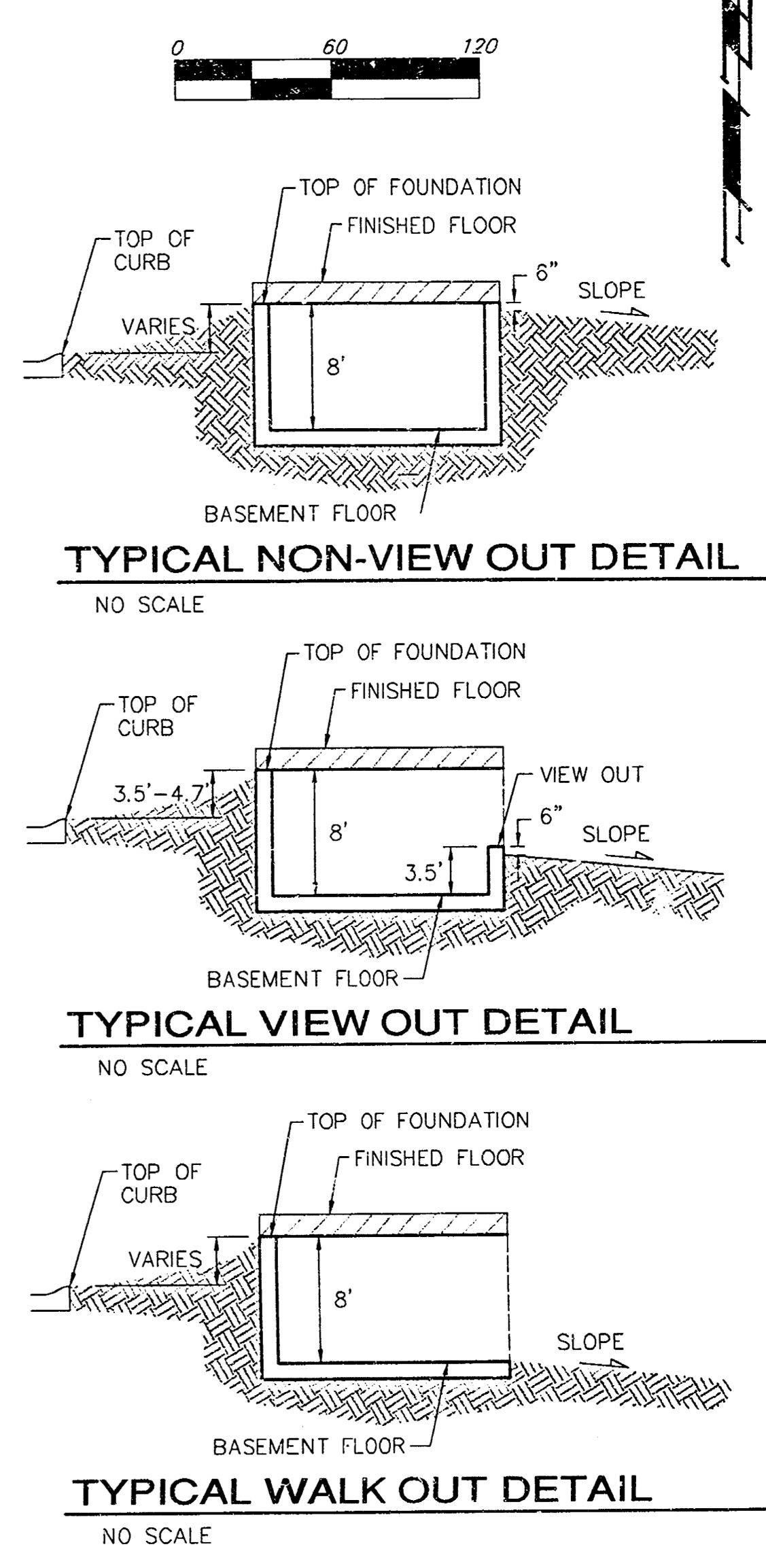
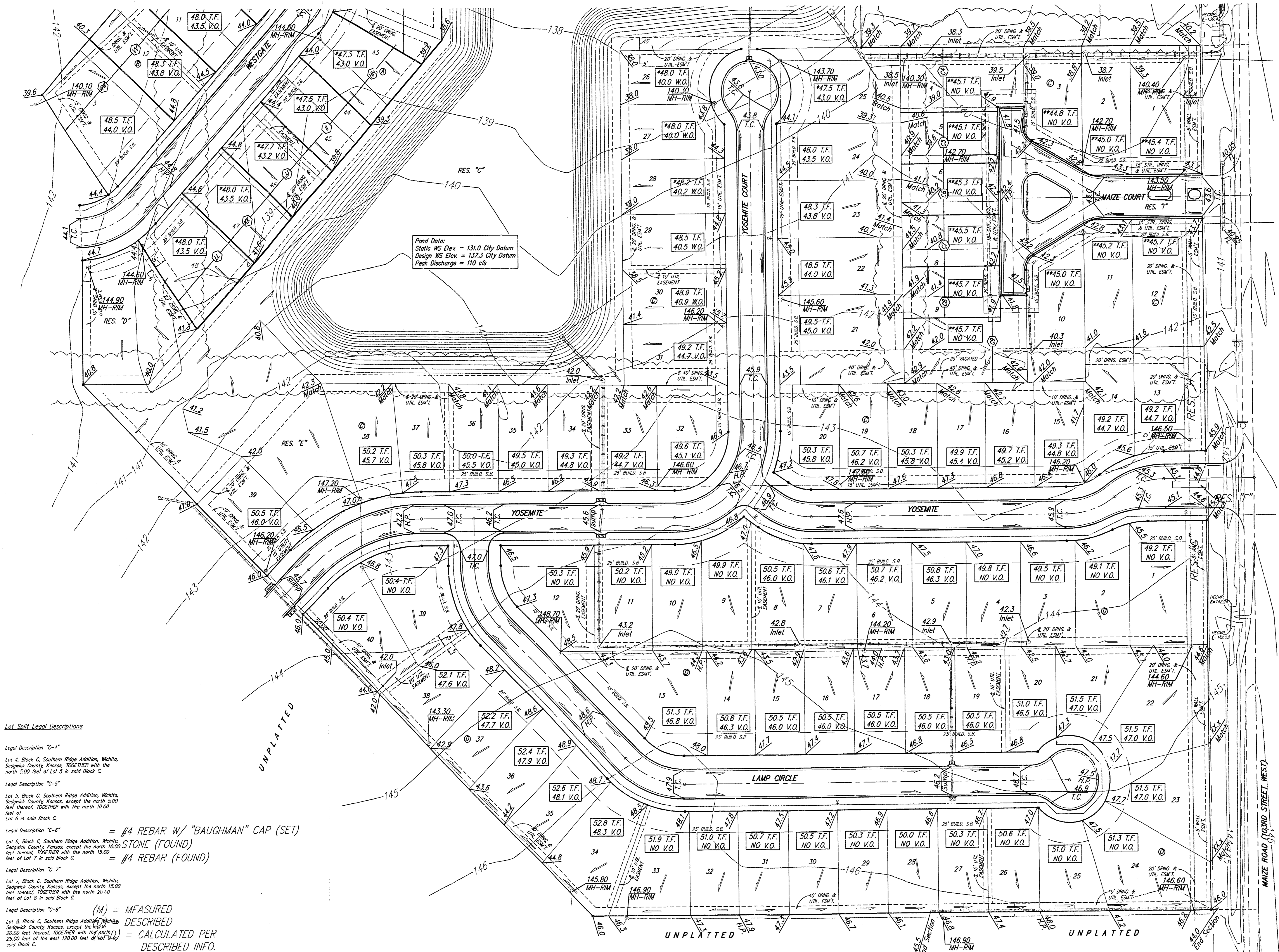
SOUTHERN RIDGE ADDITION
GRADING PLAN
WICHITA, KANSAS

BAUGHMAN COMPANY P.A.
ENGINEERING, SURVEYING, & PLANNING
316-282-7221 • 315 ELLIS • WICHITA, KANSAS 67211

PROJECT NUMBER: _____ SHEET: **1** OF **2**

DESIGN: ELC/AEG DRAWN: BLG/SMD APPROVED: _____ DATE: 01-02-03 SCALE: NOTED

APPROVED
DRAINAGE PLAN



MINIMUM BUILDING PAD ELEVATIONS FOR LOWEST OPENING TO THE STRUCTURES		BENCHMARK
LOT	ELEVATION	City of Wichita Benchmark Disc - SW corner of the intersection of Pawnee & Maize Rd.
31-48	A	44' South of centerline
49-50	B	43.8' West of centerline
51-59	C	12' East of fence
		65' SW of Sec. corner from Elev = 135.12 City Datum
		Elev = 132.52 NOVD29

NOTES:
 Proposed Top of Foundation Elevations Are Shown On Plans. Contractor to Set Finished Floor Elevations.
 All Street Elevations Shown on Plans are for Top of Curb (Full-Height).
 This Grading Plan is Designed with View-Outs. Elevations Shown at Rear of House (XX.X V.O.).
 Lot dimensions have been omitted on this plan, refer to the recorded plat for this information.
 * May Require Extra Deep Foundation
 **Shallow Sanitary Sewer Depths, Builder to Verify Sanitary Sewer Depths Prior to Construction to Ensure Basement Service

Lot Split Legal Descriptions

Legal Description "C-1"
 Lot 4, Block C, Southern Ridge Addition, Wichita, Sedgewick County, Kansas, TOGETHER with the north 5.00 feet of Lot 5 in said Block C.

Legal Description "C-5"
 Lot 5, Block C, Southern Ridge Addition, Wichita, Sedgewick County, Kansas, except the north 15.00 feet thereof, TOGETHER with the north 10.00 feet of Lot 6 in said Block C.

Legal Description "C-6"
 Lot 6, Block C, Southern Ridge Addition, Wichita, Sedgewick County, Kansas, except the north 15.00 feet thereof, TOGETHER with the north 10.00 feet of Lot 7 in said Block C.

Legal Description "C-7"
 Lot 7, Block C, Southern Ridge Addition, Wichita, Sedgewick County, Kansas, except the north 15.00 feet thereof, TOGETHER with the north 20.00 feet of Lot 8 in said Block C.

Legal Description "C-8"
 Lot 8, Block C, Southern Ridge Addition, Wichita, Sedgewick County, Kansas, except the north 15.00 feet thereof, TOGETHER with the north 20.00 feet of Lot 9 in said Block C.

Legal Description "C-9"
 Lot 9, Block C, Southern Ridge Addition, Wichita, Sedgewick County, Kansas, except the north 25.00 feet of the west 120.00 feet thereof.

(M) = MEASURED
 DESCRIBED
 = CALCULATED PER DESCRIBED INFO.

Revised 6/30/04 by AEG, Min. Pad Table & Lots 26-27, Blk C
 Revised 4/29/04 by AEG, Pad Elevs. Lots 1-12, Block C
 & Added Legal Descriptions C4-C9
 Revised 10/31/03 by AEG, Legal Desc A-1, GC-LL

Revised 9/23/03 by AEG, Lot 31, Block C
 Revised 7/23/03 by SMD PER NBW, pad elevations
 Revised 6/20/03 by SMD PER NBW, pad elevations
 Revised 6/4/03 by SMD PER NBW, pad elevations

Revised 5/22/03 by BLG, lot split legals
 Revised 5/6/03 by AEG per NBW
 Revised 10 December 2002 by AEG/BLG
 Revised 11 November 2002

SOUTHERN RIDGE ADDITION
GRADING PLAN
 WICHITA, KANSAS

BAUGHMAN COMPANY P.A.
 ENGINEERING, SURVEYING, & PLANNING
 316-262-7271 • 315 ELLIS • WICHITA, KANSAS 67211

PROJECT NUMBER: _____ SHEET: **2** OF **2**

DESIGN: BLG/AEG DRAWN: BLG/SMD APPROVED: _____ DATE: 01-02-03 SCALE: NOTED