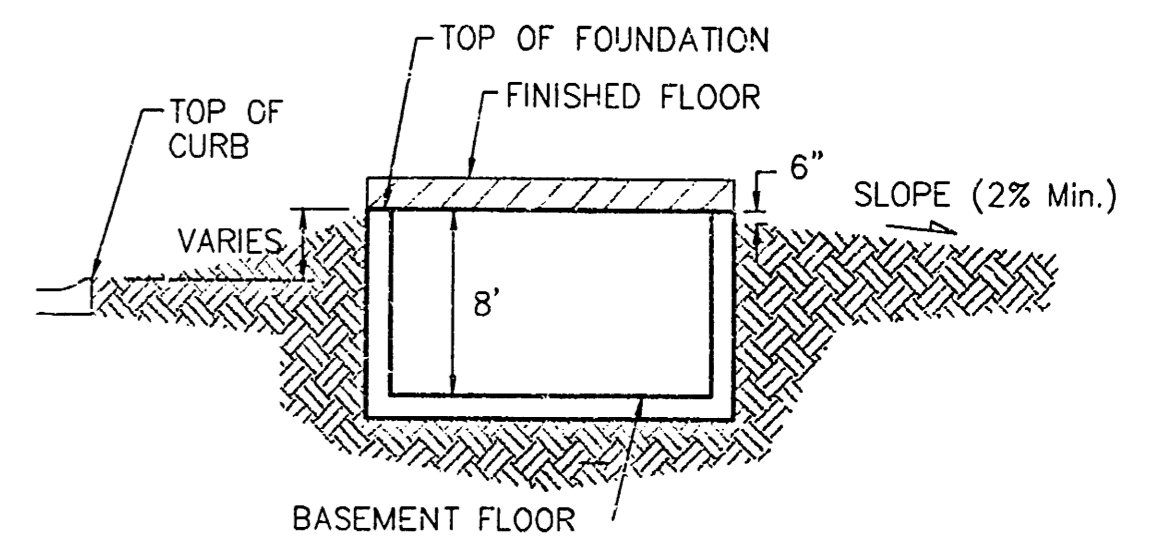
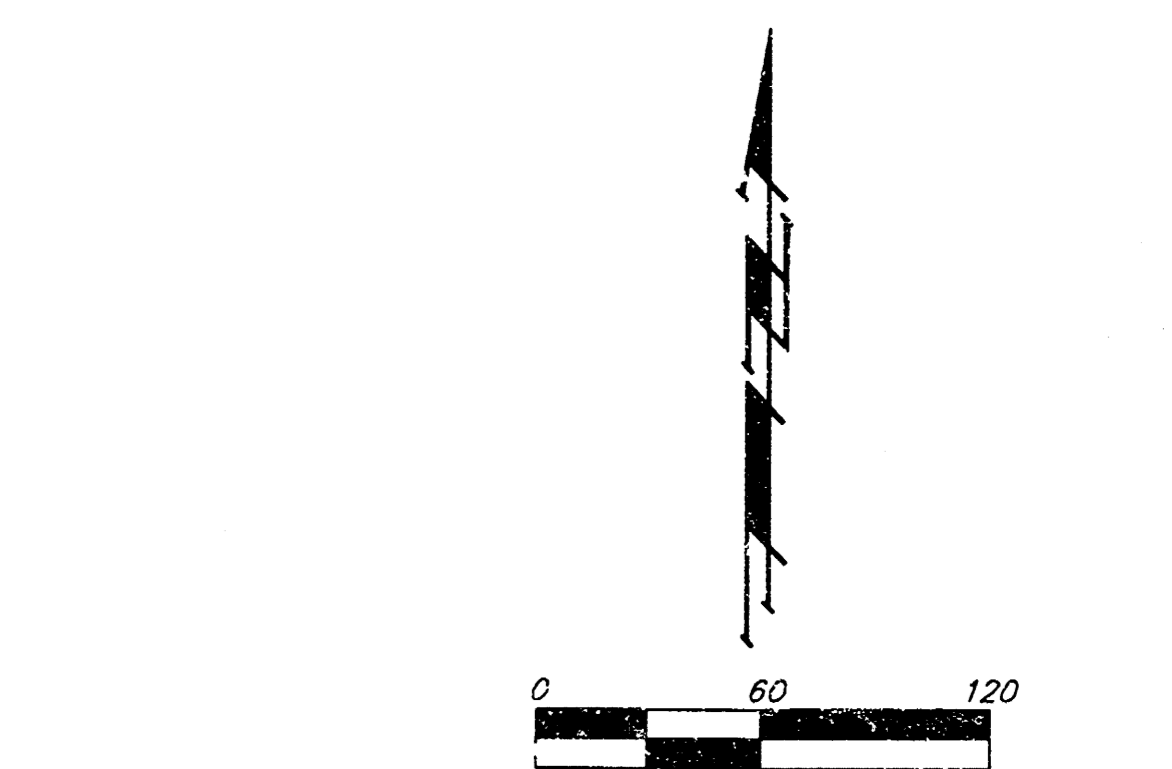
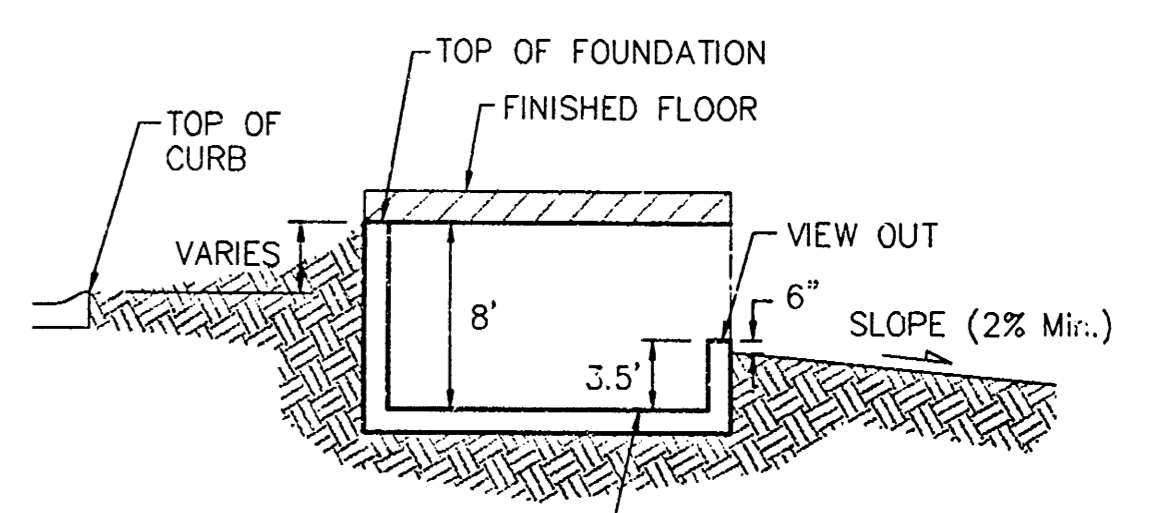


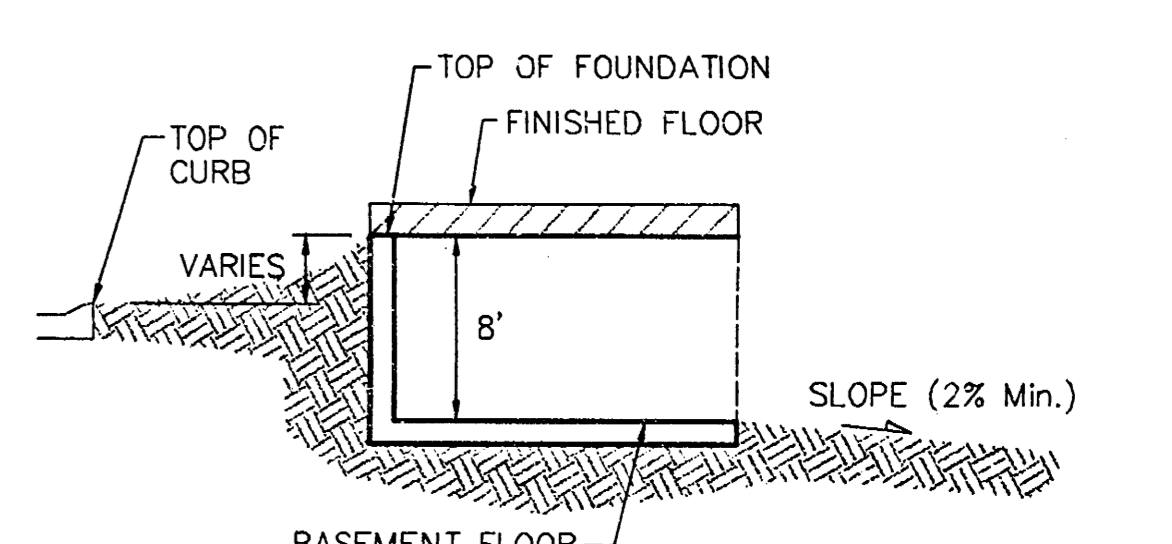
Pond Data:
 Static WC Elev. = 131.0 City Datum
 Design WC Elev. = 137.3 City Datum
 Peak Discharge = 110 cfs



TYPICAL NON-VIEW OUT DETAIL
NO SCALE



TYPICAL VIEW OUT DETAIL
NO SCALE



TYPICAL WALK OUT DETAIL
NO SCALE

MINIMUM BUILDING PAD ELEVATIONS FOR LOWEST OPENING TO THE STRUCTURES			BENCHMARK:
LOT	BLOCK	ELEVATION	SW Corner of the Intersection of Pawnee & Maize Rd.
31-48	A	CITY DATUM	44' South of centerline 40.0' from curb to benchmark Disc - 12' East of fence
34-48	C	138.0	65' SW of Sec. corner iron Elev. = 135.12 City Datum 1322.52 NGVD29

NOTES:
 Proposed Top of Foundation Elevations Are Shown On Plans. Contractor to Set Finished Floor Elevations.
 All Street Elevations Shown on Plans Are for Top of Curb (Full-Height).
 This Grading Plan is Designed with View-Outs. Elevations Shown at Rear of House (XX.X V.O.)
 Lot dimensions have been omitted on this plan, refer to the recorded plat for this information.
 * May Require Extra Deep Foundation

Revised 6/4/03 by SMD PER NBW, pad elevations
 Revised 5/22/03 by BLG, lot split legal
 Lot Split Legal Descriptions provided Revised 5/6/03 by AEG per NBW
 Revised 16 December 2002 by AEG/BLG
 Revised 11 November 2002

SOUTHERN RIDGE ADDITION
GRADING PLAN
 WICHITA, KANSAS

BAUGHMAN COMPANY P.A.
 ENGINEERING, SURVEYING, & PLANNING
 316-282-7271 • 316 ELLIS • WICHITA, KANSAS 67211

DESIGN BLG/AEG	DRAWN BLG	APPROVED	DATE 01-02-03	SCALE NOTED	SHEET 2 OF 2
-------------------	--------------	----------	------------------	----------------	-----------------------