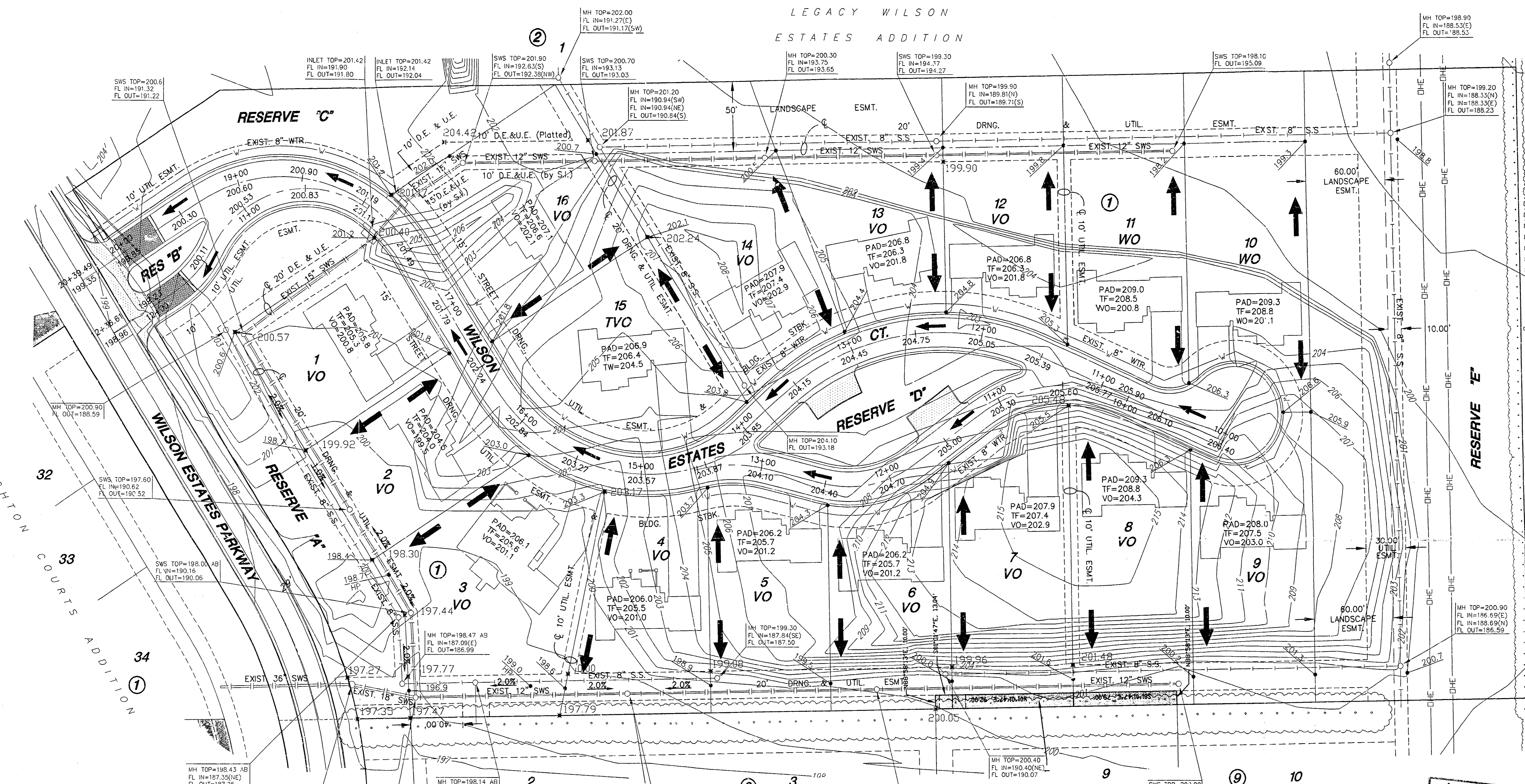
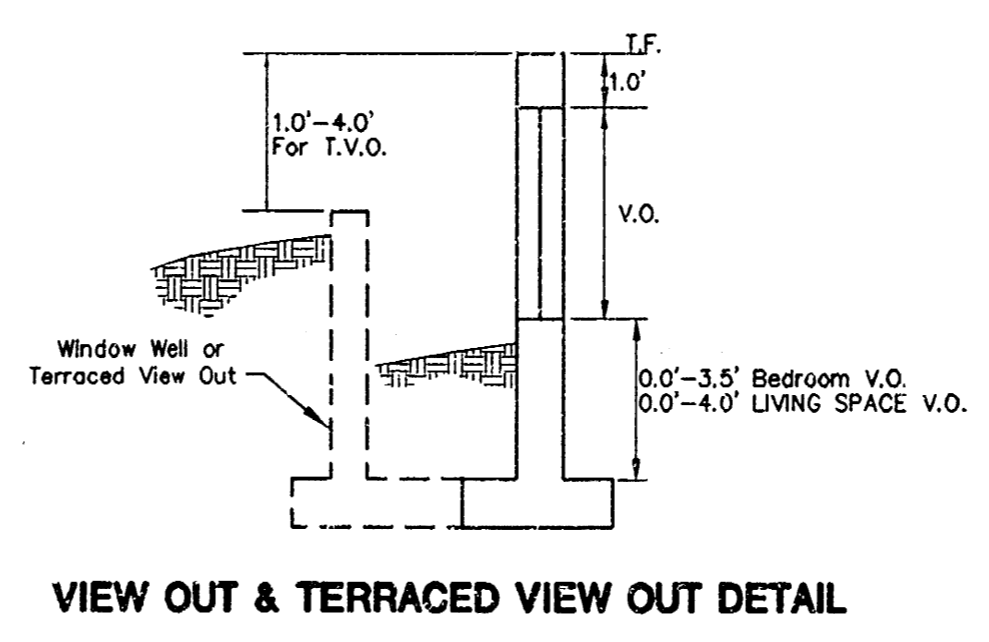


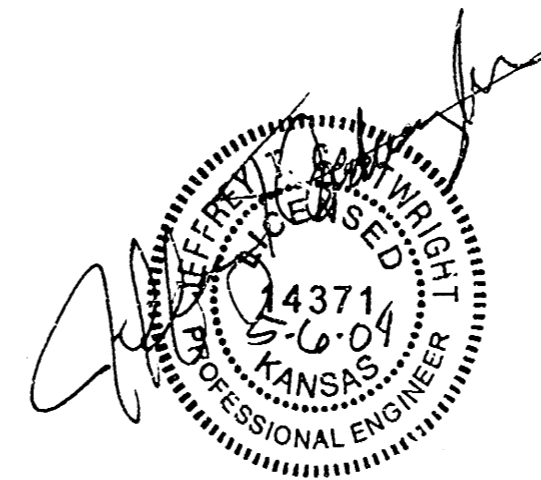
LEGACY WILSON  
ESTATES ADDITION



- LEGEND**
- CTN - CONIFEROUS TREE & DIAMETER
  - DN - DECIDUOUS TREE & DIAMETER
  - SN - SIGN
  - S - SHUB
  - ET - EDGE OF TREES
  - F - FENCE
  - SMH - SANITARY SEWER MANHOLE
  - GM - GAS METER
  - POLE - POLE
  - HLP - HIGH LINE POLE
  - G - GATE
  - W - WALL
  - LP - LIGHT POLE
  - PH - FIRE HYDRANT
  - WV - WATER VALVE
  - WM - WATER METER
  - PM - POWER POLE AND GUY ANCHOR
  - TR - TELEPHONE RISER
  - IN - INLET
  - SSP - STORM SEWER PIPE
  - WL - WATER LINE
  - SSL - SANITARY SEWER LINE
  - GL - GAS LINE
  - TL - TELEPHONE LINE
  - UEL - UNDERGROUND ELECTRIC LINE
  - OTEL - OVERHEAD TELEPHONE
  - OE - OVERHEAD ELECTRIC
  - UF - UNDERGROUND FIBER OPTIC CABLE
  - SC - SECTION CORNER
  - PCF - PROPERTY CORNER FOUND
  - B - BENCHMARK
  - SW - SW
  - W - WALK OUT
  - VO - VIEW OUT
  - PVO - PARTIAL VIEW OUT
  - PWO - PARTIAL WALK OUT
  - NVO - NO VIEW OUT



**APPROVED  
DRAINAGE PLAN**



**WILSON FARMS FOURTH ADDITION**  
PROJECT NAME

**VIEW OUT-WALK OUT MAP**  
SHEET TITLE

**MKEC ENGINEERING CONSULTANTS**  
411 N. WEBB ROAD  
WICHITA, KS. 67206  
316-684-9699

DESIGN BY: KLA	DRAWN BY: JFL	CHECKED BY: GJA
DATE: MAY 2004	JOB NO.: 03131	SHEET/OF: 1 / 1