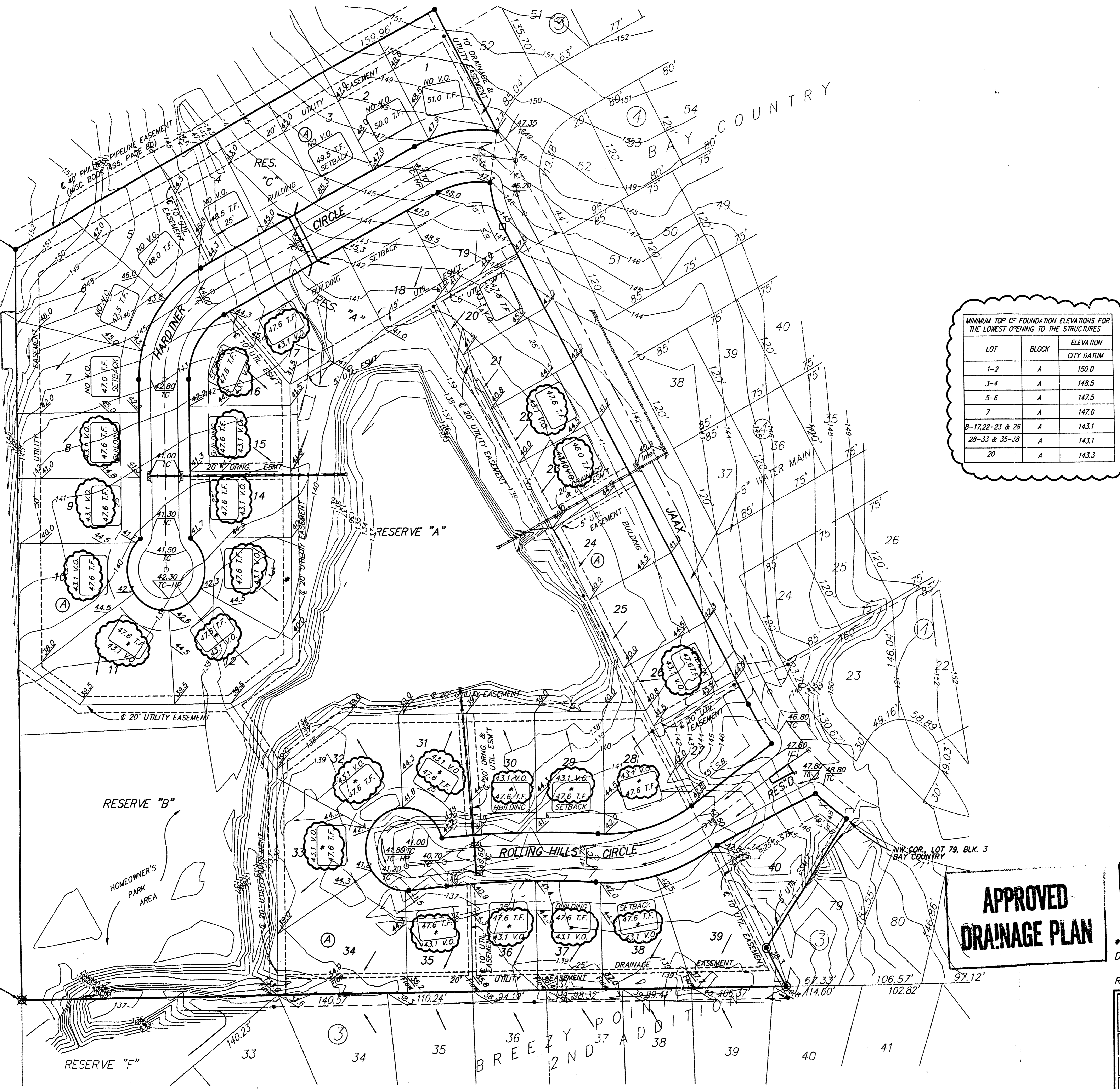


**BENCHMARK:**  
 City of Wichita Disc 40' East  
 and 46' South of Intersection  
 of C's of 119th Street West  
 and Central.  
 Elev. = 156.93 (City Datum)  
 Elev. = 1,344 (MSL)

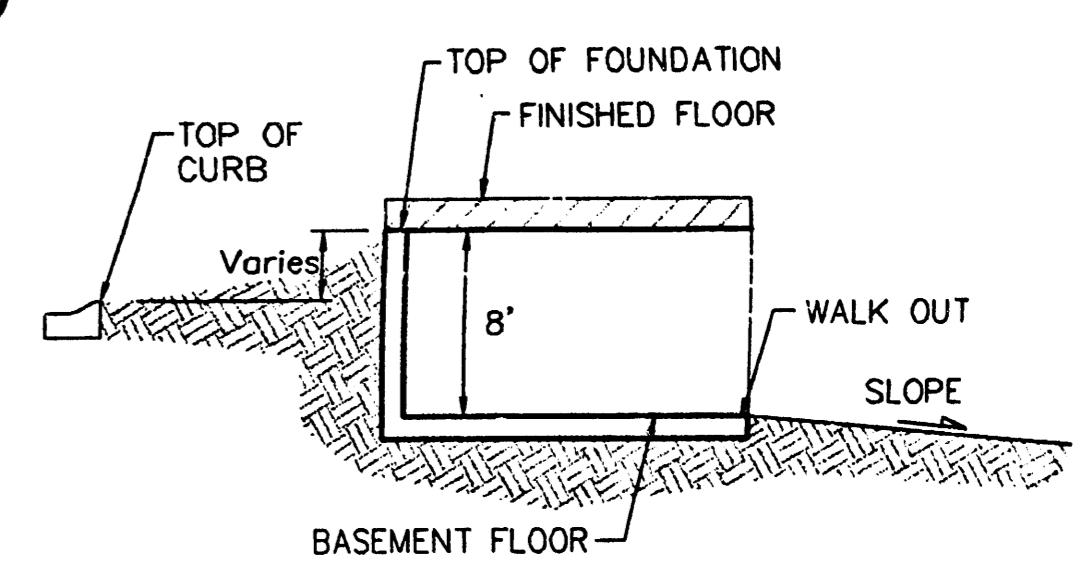
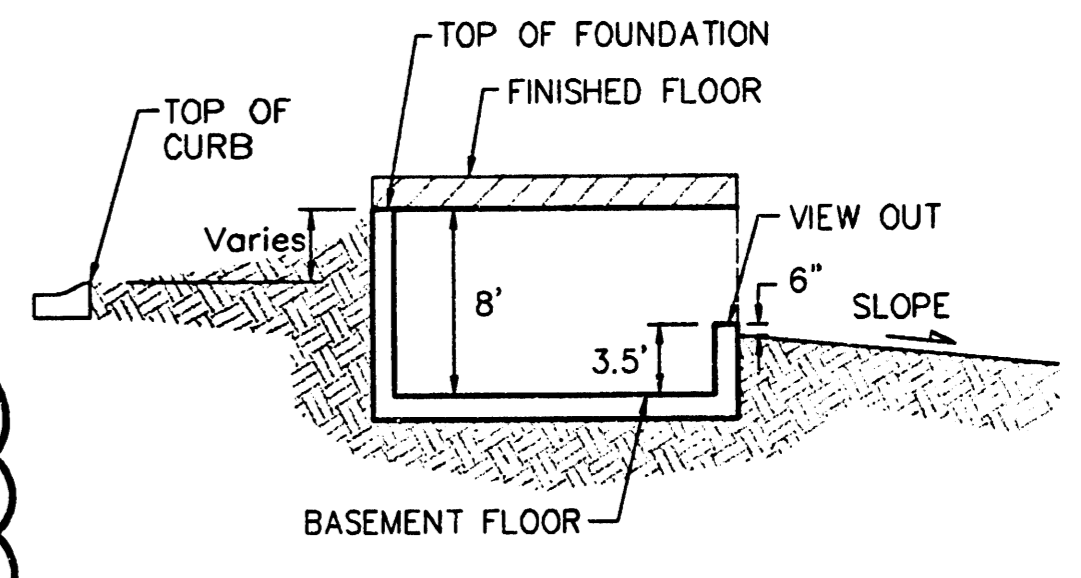
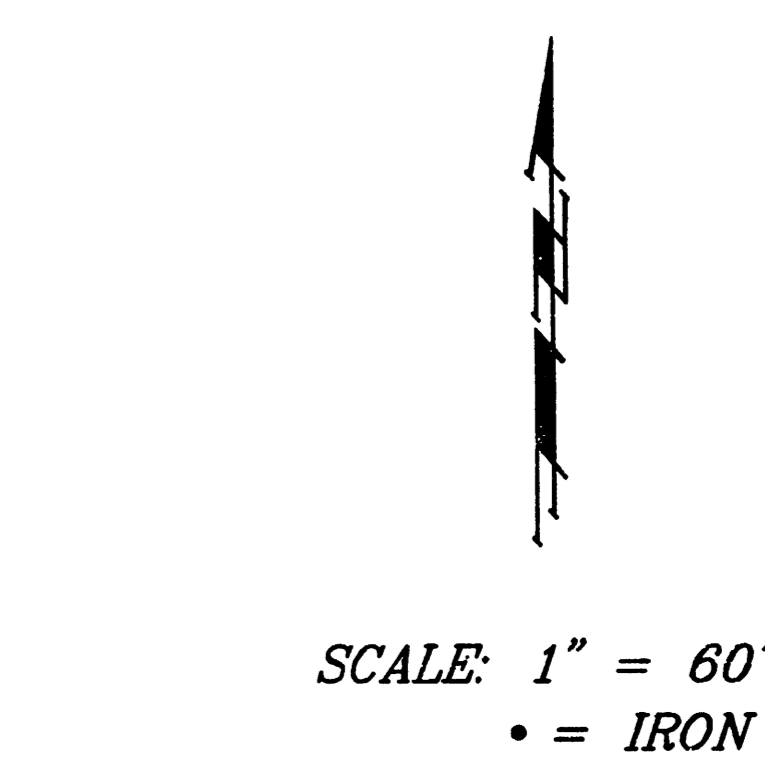
SW COR., LOT 102, BLK. 3  
 BAY COUNTRY

SW COR. NE1/4,  
 SEC. 24, T27S, R2W



**MINIMUM TOP OF FOUNDATION ELEVATIONS FOR THE LOWEST OPENING TO THE STRUCTURES**

LOT	BLOCK	ELEVATION CITY DATUM
1-2	A	150.0
3-4	A	148.5
5-6	A	147.5
7	A	147.0
8-17, 22-23 & 26	A	143.1
28-33 & 35-38	A	143.1
20	A	143.3



**NOTES:**

A master grading plan for drainage has been developed for the subdivision and is on file with the City of Wichita, Kansas. Construction of residential structures must follow the master site grading plan elevations which are higher than the minimum pad requirement.

All drainage easements, rights-of-way, or reserves shall remain at established grades or as modified with the approval of the City Engineer of the City of Wichita, Kansas. No obstructions which impede the flow of this drainage system shall be allowed.

Proposed top of foundation elevations are shown on plans. Contractor to set finished floor elevations.

All street elevations shown on plans are for top of curb (full-height). Typically roll-type curbs are constructed. Deduct 0.25' from top of curb (full-height).

This Grading Plan is designed with View-Out and Walk-Out Basements. Elevations shown at Rear of House (XX.X V.O. and XX.X W.O.) are for minimum opening.

All elevations shown on plans are City of Wichita Datum.

**APPROVED DRAINAGE PLAN**

\* Requires extra-deep foundation.  
 \* REVISED 05-1-02 BY SCL  
 DATE OF TOPOGRAPHY FOR SOUTH CUL-DE-SAC & POND - 8/27/01  
 REMAINING TOPOGRAPHY PRIOR TO DEVELOPMENT

**BAY COUNTRY 2ND ADDITION  
 MASTER GRADING PLAN  
 WICHITA, KS**

**BAUGHMAN COMPANY P.A.**  
 ENGINEERING, SURVEYING, & PLANNING  
 316-262-7271 • 315 ELLIS • WICHITA, KANSAS 67211

PROJECT NUMBER: \_\_\_\_\_ SHEET: **1** OF **1**

DESIGN: NBW DRAWN: JMW/TMG/AEG APPROVED: \_\_\_\_\_ DATE: 05/01/02 SCALE: NOTED