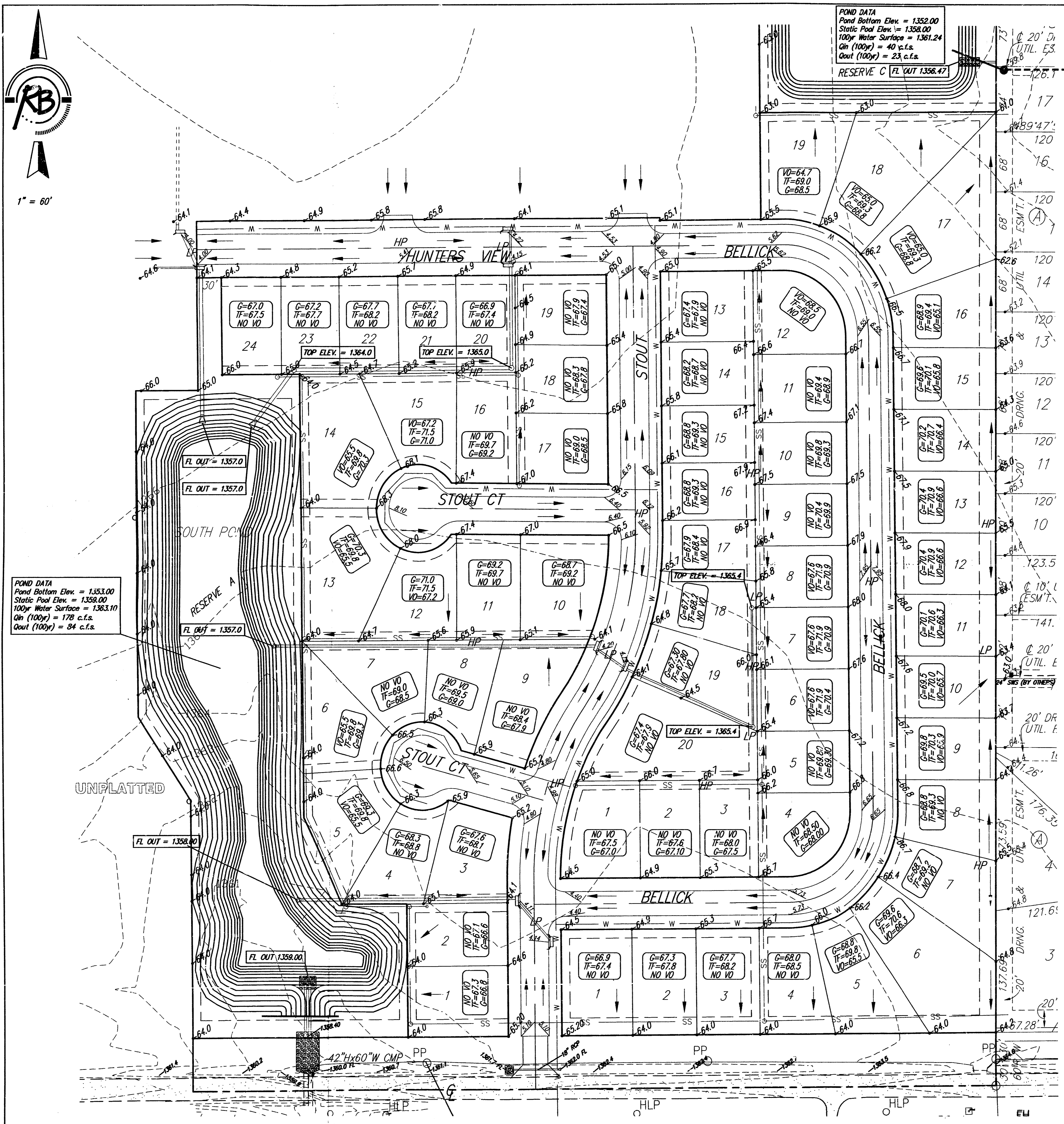


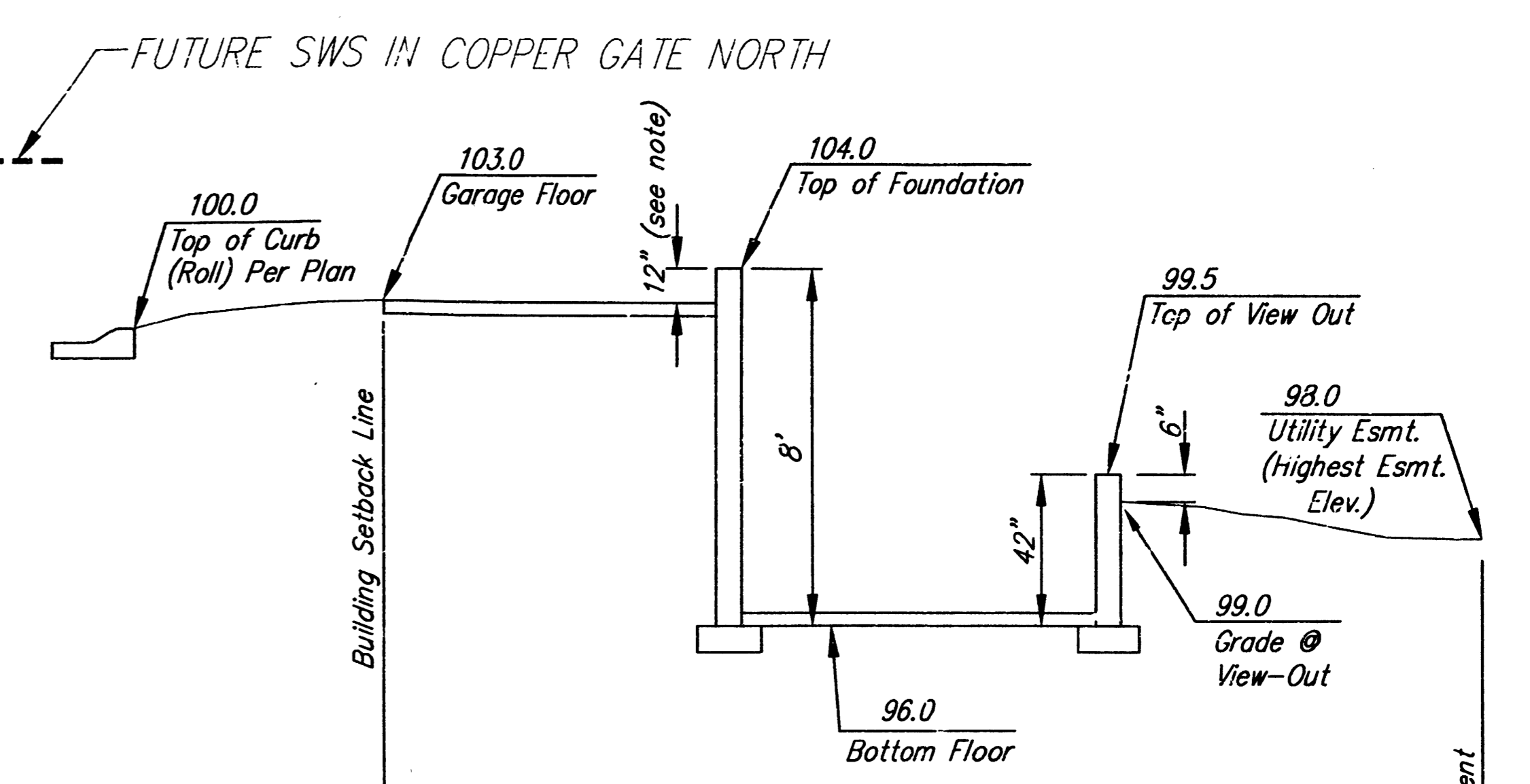


1" = 60'

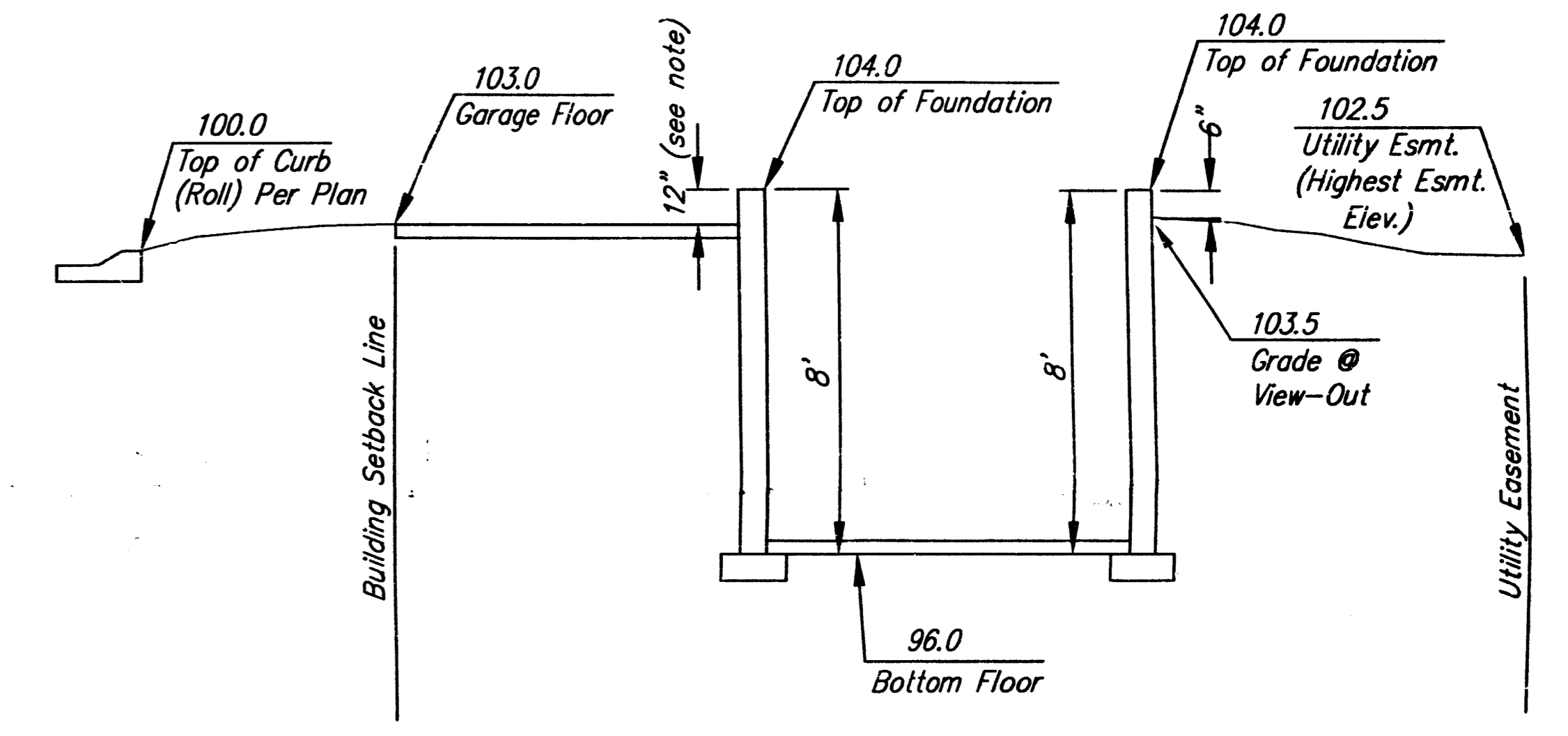


POND DATA
 Pond Bottom Elev. = 1352.00
 Static Pool Elev. = 1358.00
 100yr Water Surface = 1361.24
 Qin (100yr) = 40 c.f.s.
 Out (100yr) = 23 c.f.s.
 RESERVE C FL OUT 1358.47

POND DATA
 Pond Bottom Elev. = 1353.00
 Static Pool Elev. = 1359.00
 100yr Water Surface = 1363.10
 Qin (100yr) = 179 c.f.s.
 Out (100yr) = 84 c.f.s.



Section Through Typical View-Out Lot



Section Through Typical Full Basement

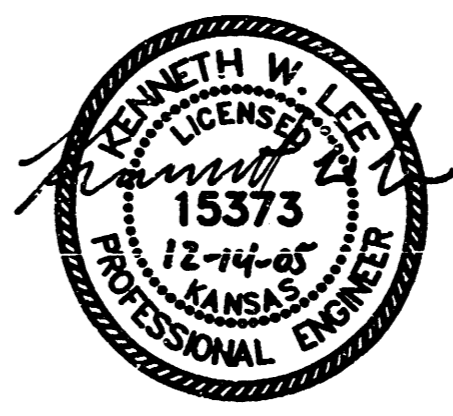
APPROVED
DRAINAGE PLAN

- LEGEND
- Proposed Corner Grade
 - Proposed Viewout Elevation
 - Proposed Garage Floor
 - Proposed Top of Foundation

BENCH MARK: COW BENCHMARK AT THE SOUTHWEST CORNER OF INTERSECTION OF 135TH ST. W. AND 13TH ST. N., EAST SIDE OF CONC. BASE FOR HLP 30± S. OF CENTER LINE AND 35± W. OF CENTER LINE ELEV.=1355.65 (M.S.L.) NGVD

ON SITE BENCH MARK: R.R. SPIKE ON NORTH FACE OF HIGHLINE POWER POLE 131 FEET WEST AND 28 FEET SOUTH OF THE S.E. CORNER, W/2, SE1/4, SEC. 11, T27S, R2W ELEV.=1365.16 (M.S.L.) NGVD

NOTES:
 THE VO OPENINGS INDICATED ON THIS PLAN ARE THE LOWEST RECOMMENDED OPENING FOR THE LOTS. A STAMPED SITE PLAN SHOULD BE PREPARED IF LOWER GRADES ARE PROPOSED.



CHERYL'S HOLLOW ADDITION
 GRADING PLAN
 WICHITA, KANSAS

Ruggles & Bohm, P.A.
 Engineering, Surveying, Land Planning

924 North Main
 Wichita, Kansas 67203
 (316) 264-8008
 (316) 264-4621 fax
 www.rbkas.com E-mail: info@rbkansas.com

| | | |
|--------------------------------------|-----------------------------|----------------------|
| DRAWING FILE Phase 1 Grading Plan | PROJECT NUMBER Proj. No. | DATE Nov. 7, 2005 |
|--------------------------------------|-----------------------------|----------------------|

DESIGN: KWL/CMB
 DRAWN: KWL
 REVIEW: KWL
 UTILITY

SHEET 1 OF 1

Real Grading Modified 15 December 2005