

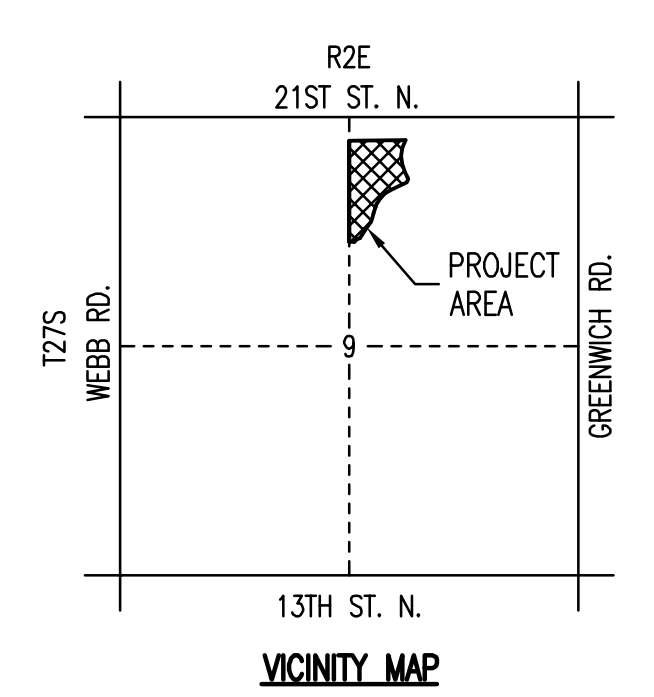
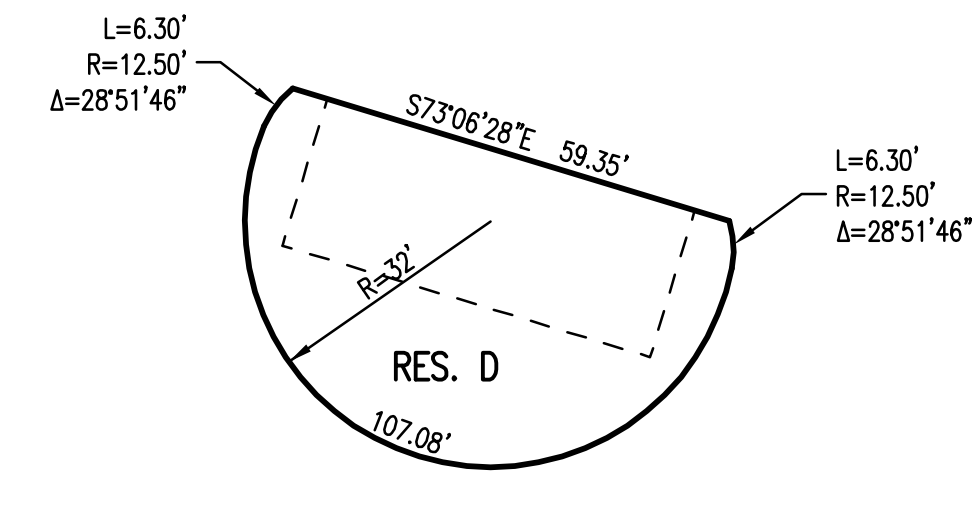
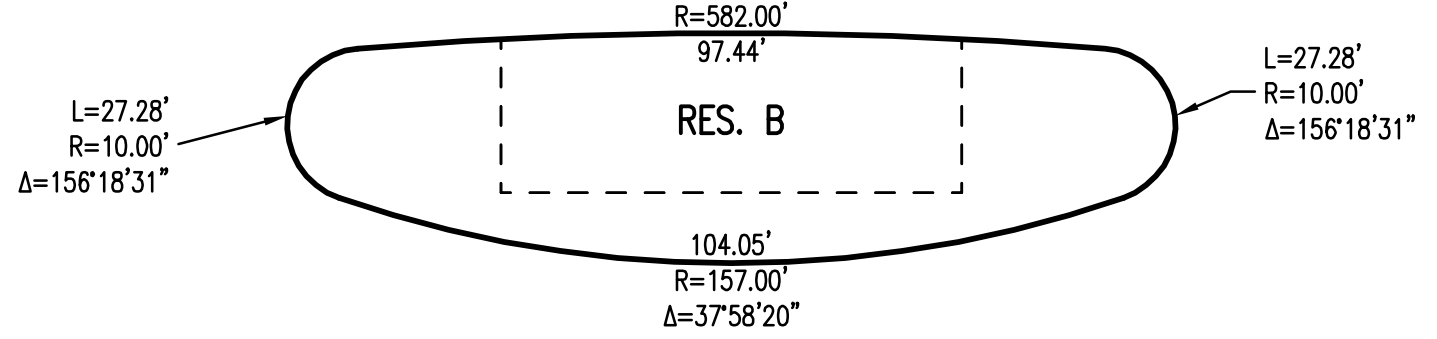
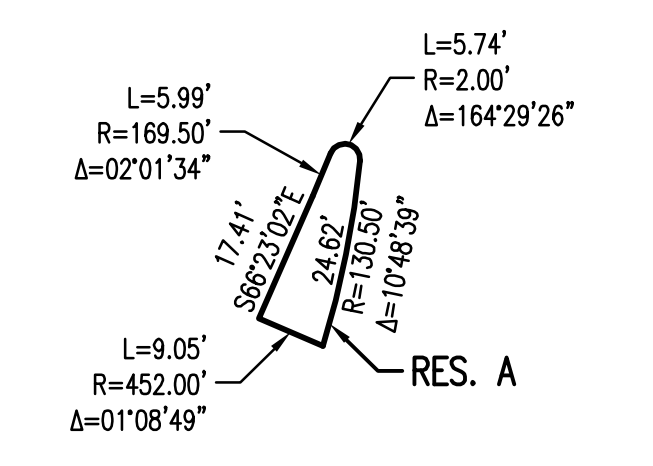
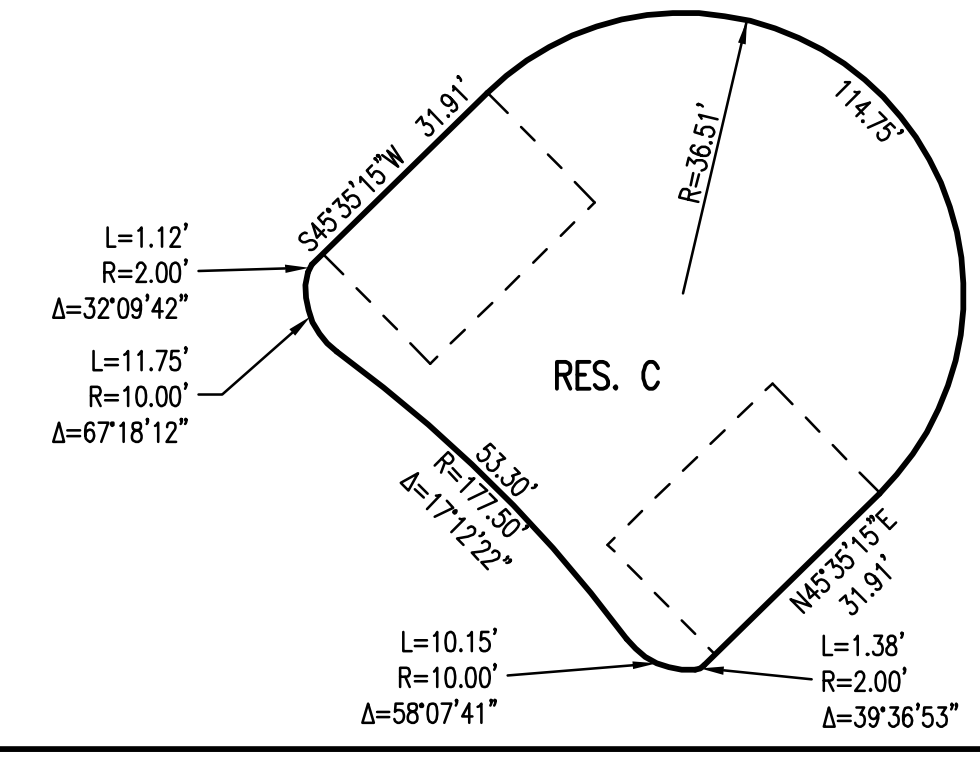
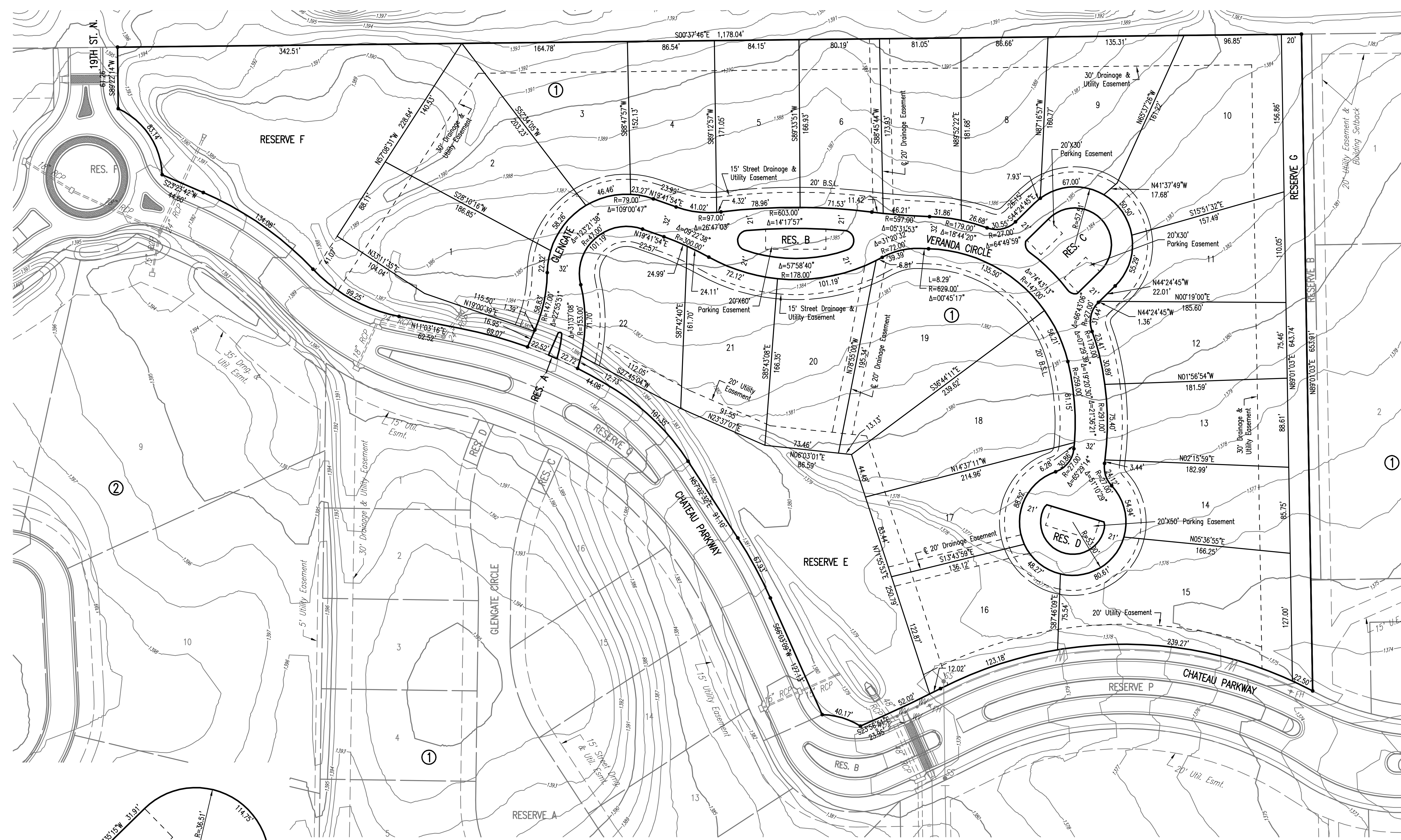
GLEN MEADOWS

AN ADDITION WICHITA, SEDGWICK COUNTY, KANSAS



SCALE: 1" = 50'

• = 1/2" REBAR W/PEC CAP UNLESS OTHERWISE NOTED



Plot Scale: 1"=50' 06-29-2009 7:57:12 AM by ARON E. EARLYWINE
 C:\2007\07161\07161 one-step 2 of 2