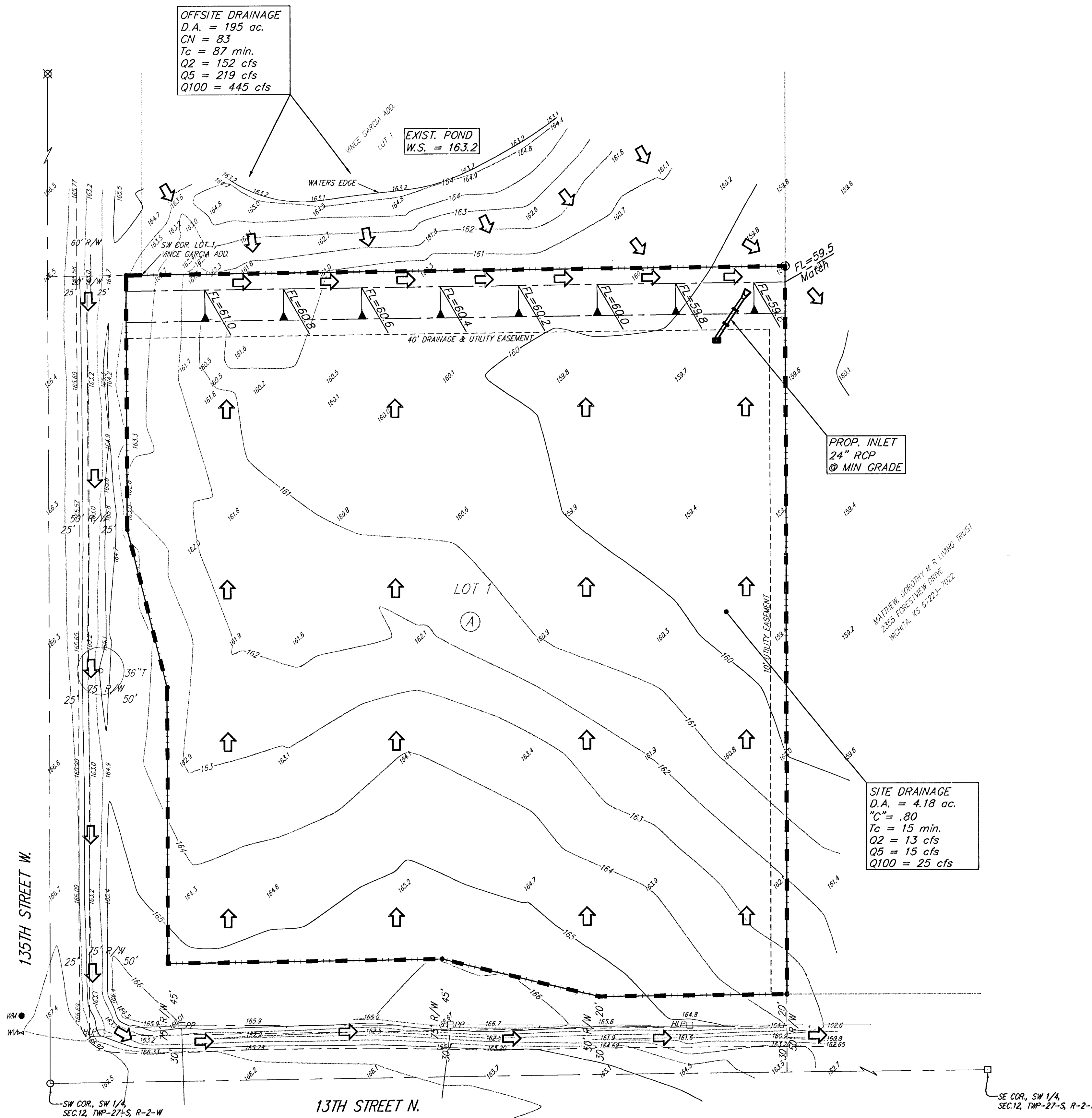


DRAINAGE CONCEPT

HERITAGE BAPTIST CHURCH ADDITION

WICHITA, SEDGWICK COUNTY, KANSAS

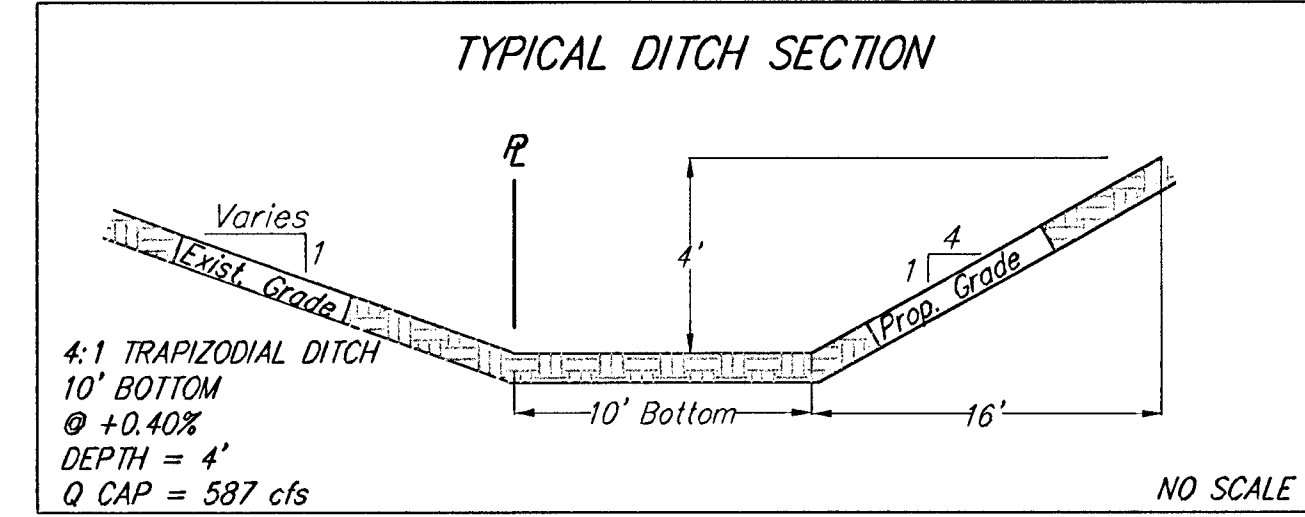


OFFSITE DRAINAGE
 D.A. = 195 ac.
 CN = 83
 Tc = 87 min.
 Q2 = 152 cfs
 Q5 = 219 cfs
 Q100 = 445 cfs

EXIST. POND
 W.S. = 163.2

PROP. INLET
 24" RCP
 @ MIN GRADE

SITE DRAINAGE
 D.A. = 4.18 ac.
 "C" = .80
 Tc = 15 min.
 Q2 = 13 cfs
 Q5 = 15 cfs
 Q100 = 25 cfs



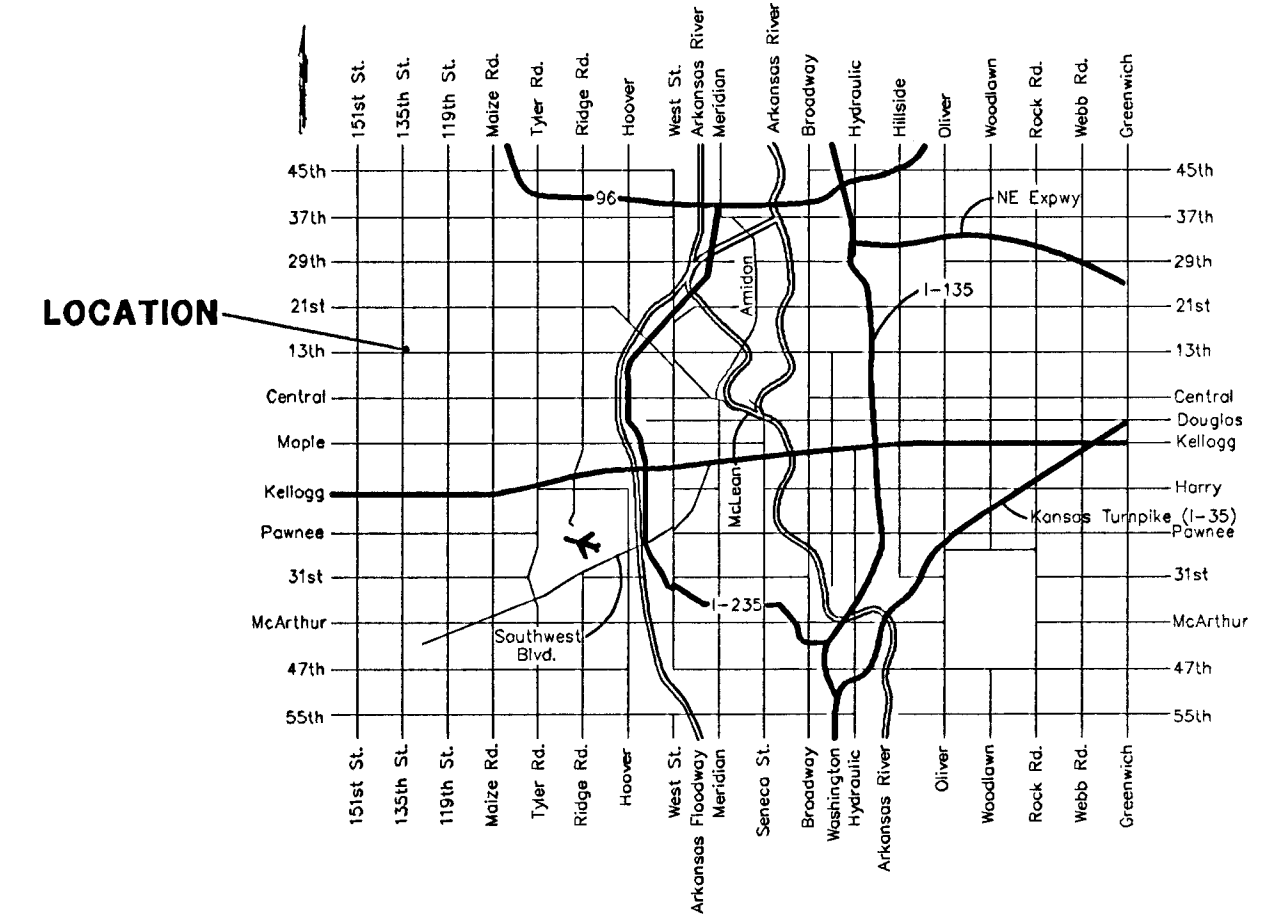
OWNER/DEVELOPER:
 Heritage Baptist Church
 P.O. Box 75171
 Wichita, KS 67275
 ATTN: Pastor Larry Olson
 316-729-2700

LEGAL DESCRIPTION:
 A tract in the Southwest Quarter of Section 12, Township 27 South, Range 2 West of the Sixth Principal Meridian, Sedgwick County, Kansas, described as beginning at the Southwest corner of the Southwest Quarter; thence north along the west line of said Southwest Quarter, 511.5 feet; thence East parallel to the South line of said Southwest Quarter, 470 feet; thence South parallel to the West line of said Southwest Quarter, 511.5 feet to the South line of said Southwest Quarter; thence West 470 feet to the point of beginning.

BENCHMARK:
 City of Wichita benchmark at 135th St. & 13th St. at the SE corner of intersection.
 Elev = 167.83 (City Datum)
 1355.23 (N.G.V.D. 29)

DATE OF PREPARATION: JUNE 10, 2002
 DATE OF TOPOGRAPHY: MAY 23, 2002
 CONTOUR INTERVAL: 1 FOOT

- = #1 REBAR W/ "BAUGHMAN" CAP (SET)
- ⊙ = #5 REBAR W/ "ARMSTRONG" CAP (FOUND)
- ⊗ = 1" IRON (FOUND)
- = 1/2" IRON (FOUND)
- = 3/4" IRON PIPE (FOUND)
- (M) = MEASURED
- HLP □ = High Line Pole
- PP □ = Power Pole
- T ○ = Tree
- WM ● = Water Meter
- WV ⊕ = Water Valve



VICINITY MAP