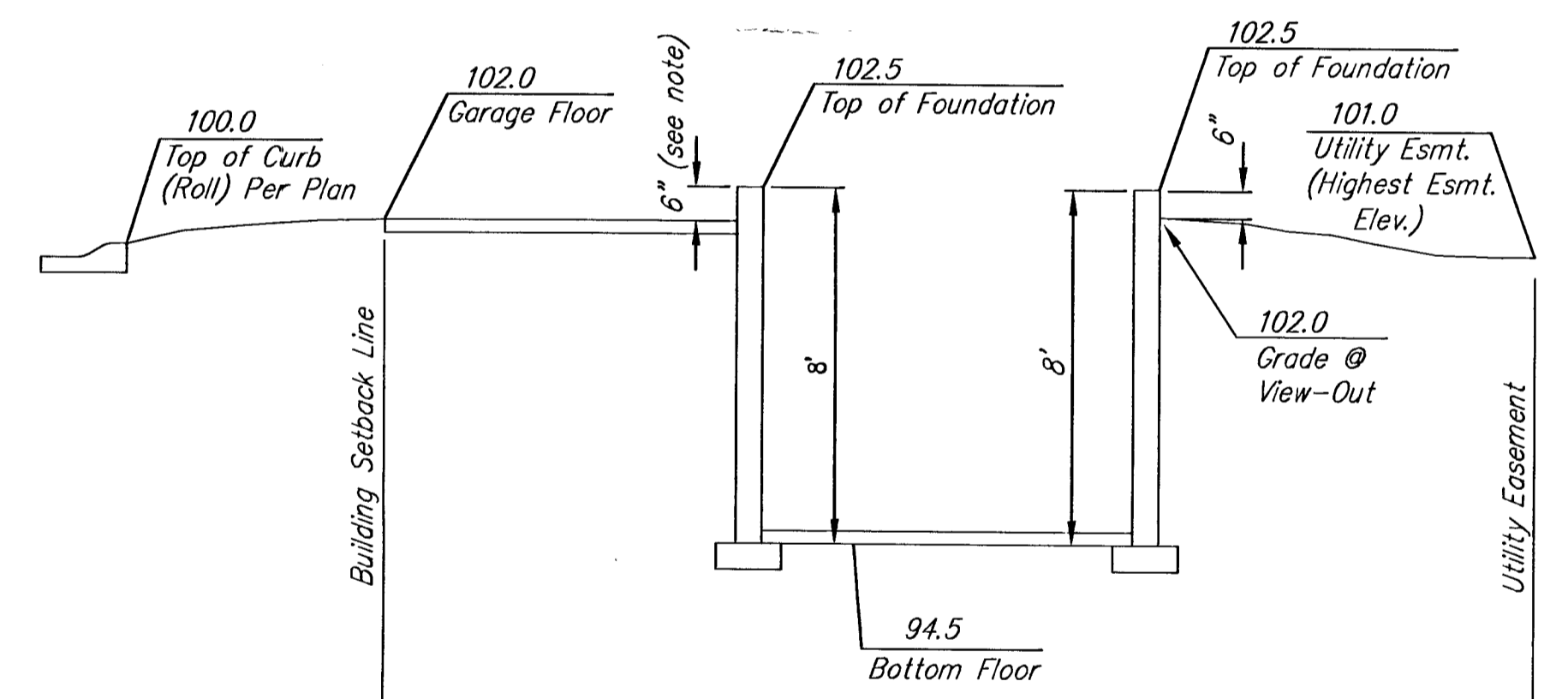


MINIMUM BUILDING PAD ELEVATION FOR LOWEST OPENING INTO STRUCTURES		
BLOCK	LOT NO.	ELEVATION (N.G.V.D.)
1	1	1272.0
1	2	1271.7
1	3	1272.3



Section Through Typical Full Basement  
\* Varies (Check Individual Lot)



BENCH MARK: CHISELED "SQUARE ON THE TOP OF CURB AT THE EAST CURB RETURN AT THE NORTH EAST CORNER OF SYCAMORE AND 51ST ST. N. ELEVATION = 1271.31 (NAVD88)

Note: Soil bore performed on 6-26-09 indicate the water table to be 8.5' below the surface. The ground elevation at the bore location is approximately 1271, therefore the water table is approximately 1262.5.

<b>CORNFIELD ADDITION 4 CORNER LOT GRADING WICHITA, KANSAS</b>			
	<b>Ruggles &amp; Bohm, P.A.</b> Engineering, Surveying, Land Planning		DESIGN AML
	924 North Main Wichita, Kansas 67203 www.rbkansas.com		(316) 264-8008 (316) 264-4621 fax E-mail: info@rbkansas.com
DRAWING FILE Drainage Plan {Grading Plan}	PROJECT NUMBER --	DATE Oct. 2, 2009	SHEET 1 OF 1

