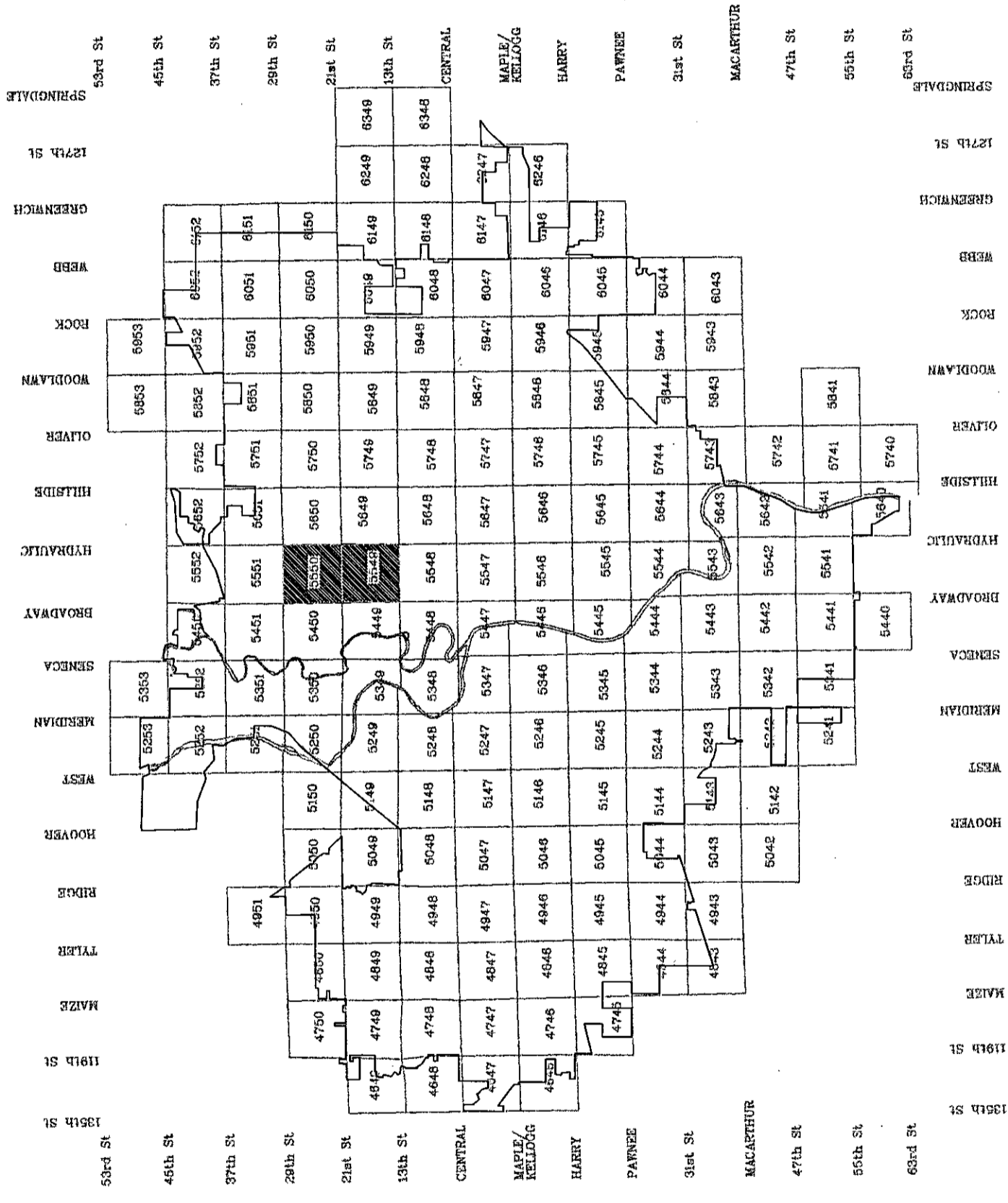


PLANS FOR
 CITY OF WICHITA, KANSAS
 STOCKYARD SEWER PROJECT
 CITY PROJECT NUMBER 468-XXXXXX
 INDEX CODE 624023

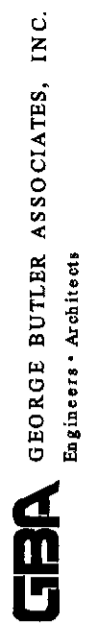


DESCRIPTION	INDEX OF SHEETS	SHEET NO.
TITLE SHEET		1
GENERAL NOTES		2
DETAIL SHEETS		3-4
EASEMENT PLAN		5
GENERAL LOCATION MAP/LEGEND		6
PLAN/PROFILE DRAWINGS		7-11

PREPARED AND SUBMITTED BY:
 GEORGE BUTLER ASSOCIATES, INC.
 1550 N. BROADWAY
 WICHITA, KANSAS 67214

APPROVED BY: CITY OF WICHITA
 SEDGWICK COUNTY, KANSAS

MICHEAL E. LINDEBAK, P.E. DATE
 CITY ENGINEER



GENERAL NOTES

1. ALL ELEVATIONS SHOWN ARE BASED ON CITY OF WICHITA DATUM (MEAN SEA LEVEL EL.EV. - 1187.4 - CITY DATUM)
2. CONTRACTOR WILL BE REQUIRED TO PROVIDE A MINIMUM ADVANCE NOTICE OF FORTY-EIGHT (48) HOURS TO UTILITY COMPANIES PRIOR TO STARTING ANY EXCAVATION AS FOLLOWS:

KANSAS ONE-CALL

687-2470

THE CONTRACTORS MUST NOTIFY THE FOLLOWING IN CASE OF EMERGENCY:

CABLEVISION 262-4270 OR 263-2061
KORE - GAS 265-7511
KORE - ELECTRIC 264-1194
PEOPLES NATURAL GAS 942-3811
SOUTHWESTERN BELL TELEPHONE 1-571-2811
WICHITA TERMINAL ASSOCIATION 262-0441

THE CONTRACTOR SHALL NOTIFY PIPELINE COMPANIES AT LEAST 24 HOURS IN ADVANCE OF ANY WORK BEING PERFORMED ACROSS AND/OR ADJACENT TO PIPELINES.

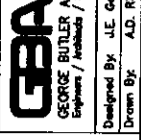
3. COST OF EXCAVATION, HAULING, AND DUMPING OF EXCESS EXCAVATION SHALL BE SUBSIDIARY TO OTHER ITEMS OF WORK.
4. THE CONTRACTOR SHALL NOTIFY THE INSPECTOR FOR THIS PROJECT 48 HOURS PRIOR TO BEGINNING CONSTRUCTION. THE CONTRACTOR SHALL NOT START WORK ON THE PROJECT UNTIL THE PROJECT INSPECTOR ASSIGNED TO THE PROJECT IS PRESENT ON SITE. ANY WORK DONE WITHOUT INSPECTION WILL BE REQUIRED TO BE UNCOVERED FOR INSPECTION.
5. THE CONTRACTOR SHALL GIVE ALL PROPERTY OWNERS AND/OR TENANTS ON DEVELOPED PROPERTY DIRECTLY ADJUTTING THE CONSTRUCTION OF THE PROJECT A MINIMUM OF TEN (10) DAYS ADVANCE NOTICE PRIOR TO START OF CONSTRUCTION.
6. THE CONTRACTOR SHALL BE RESPONSIBLE FOR PRESERVING PROPERTY IRONS. THE CONTRACTOR WILL BE REQUIRED TO RE-ESTABLISH ANY PROPERTY IRONS WHICH ARE DAMAGED OR DESTROYED BY HIS CONSTRUCTION OPERATIONS. SUCH IRONS SHALL BE RE-ESTABLISHED BY A LICENSED LAND SURVEYOR IN ACCORDANCE WITH STATE LAWS.
7. THE CONTRACTOR SHALL RESTORE ALL DITCHES, SWALES, ROAD SHOULDERS, ENTRANCES, AND BANK LINES TO THEIR ORIGINAL SLOPES AND GRADES EXCEPT AS SHOWN OTHERWISE.
8. INTERURBAN TRAFFIC GENERATED OUTSIDE THE PROJECT AREA SHALL BE CARRIED THROUGH CONSTRUCTION. LOCAL RESIDENTIAL TRAFFIC GENERATED WITHIN THE PROJECT AREA SHALL BE CARRIED THROUGH CONSTRUCTION AS FURTHER PROMULGATED BY PROJECT SPECIAL PROVISIONS.
9. UNDERGROUND UTILITY SERVICE LINES AND OVERHEAD UTILITY POLE LINES ARE TO BE ADJUSTED AS NECESSARY BY OTHERS PRIOR TO CONSTRUCTION UNLESS THE PLANS SPECIFICALLY CALL FOR THEIR ADJUSTMENT BY THE CONTRACTOR. OR UNLESS THE PLANS SPECIFICALLY IDENTIFY A UTILITY TO BE ADJUSTED BY ITS OWNER DURING CONSTRUCTION. EXISTING UTILITIES AND THEIR LOCATION AS SHOWN ON THE PLANS REPRESENT THE BEST INFORMATION OBTAINABLE FOR DESIGN. LOCATION INFORMATION HAS BEEN OBTAINED FROM THE VARIOUS UTILITY COMPANIES, AND IS EITHER FROM COMPANY RECORD DRAWINGS OR COMPANY PROVIDED FIELD LOCATIONS. THE CONTRACTOR WILL BE REQUIRED TO WORK AROUND EXISTING UTILITIES WITHIN THE RIGHT-OF-WAY WHICH DO NOT CONFLICT WITH PROPOSED CONSTRUCTION.

10. RUBBLE FROM THE REMOVAL OF MISCELLANEOUS STRUCTURES AND EXCESS EXCAVATION WHICH IS TO BE WASTED SHALL BE DISPOSED OF ON SITES TO BE PROVIDED BY THE CONTRACTOR. THESE SITES SHALL BE APPROVED BY THE ENGINEER AS TO SUITABILITY, APPEARANCE AND SITE LOCATION. LOCATIONS THAT IN THE OPINION OF THE ENGINEER WILL LEAVE AN UNSIGHTLY APPEARANCE WILL NOT BE APPROVED. ALL DISPOSAL SITES MUST BE APPROVED BY THE KANSAS DEPARTMENT OF HEALTH AND ENVIRONMENT. MATERIAL EITHER STOCKPILED OR DISPOSED OF IN A FLOODPLAIN WOULD REQUIRE A KANSAS STATE BOARD OF AGRICULTURE PERMIT. ANY MATERIAL DUMPED IN WATERS OF THE UNITED STATES OR WETLANDS IS SUBJECT TO U.S. CORPES OF ENGINEERS PERMITTING REGULATIONS. ANY MATERIAL BURIED OR STOCKPILED BEYOND APPROVED CONSTRUCTION LIMITS WOULD REQUIRE ADDITIONAL ARCHAEOLOGICAL INVESTIGATIONS UNLESS BURIED IN A PREVIOUSLY APPROVED BORROW LOCATION.

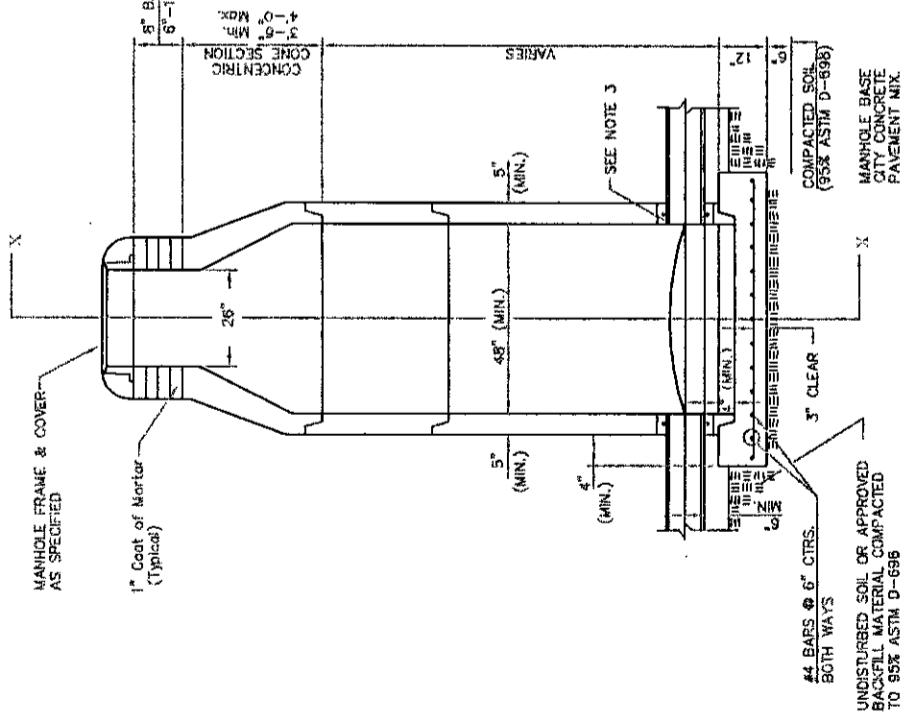
11. ALL PROPOSED STUBS AND PLUGGED PIPES SHALL BE LOCATED WITH GREEN PLASTIC TAPE.
12. PRIOR TO LAYING THE NEW SEWER LINES THE CONTRACTOR SHALL EXPOSE AND VERIFY THE ELEVATION, GRADE, AND ALIGNMENT OF THE EXISTING SANITARY SEWER AND NOTIFY THE ENGINEER OF ANY DISCREPANCIES FROM THE PLAN.
13. THE CONTRACTOR MUST EXAMINE THE CONSTRUCTION SITE PRIOR TO BIDDING AND BE SATISFIED AS THE WORK SHOWN FOR COMPLETION. AFTER BIDS HAVE BEEN RECEIVED, THE CONTRACTOR SHALL NOT ASSERT THAT THERE WAS A MISUNDERSTANDING OF THE QUANTITIES OF WORK OR OF THE NATURE FOR THE WORK TO BE COMPLETED.
14. EXISTING UTILITIES AND THEIR LOCATION, AS SHOWN ON THE PLANS, REPRESENT THE BEST INFORMATION AVAILABLE FOR DESIGN. LOCATION INFORMATION HAS BEEN OBTAINED FROM THE VARIOUS UTILITY COMPANIES AND IS EITHER FROM COMPANY RECORD DRAWINGS OR COMPANY PROVIDED FIELD LOCATIONS. THE PLAN LOCATIONS ARE NOT GUARANTEED. ADDITIONAL EXISTING UTILITIES MAY ALSO BE ENCOUNTERED. THE CONTRACTOR WILL BE REQUIRED TO WORK AROUND EXISTING UTILITIES WHICH ARE ENCOUNTERED ON THIS PROJECT. THE CONTRACTOR SHALL EXERCISE EXTREME CAUTION DURING TRENCHING OPERATIONS TO AVOID DAMAGING THESE LINES. ANY LINES DAMAGED SHALL BE REPLACED OR REPAIRED IMMEDIATELY AS DIRECTED BY THE ENGINEER AT THE CONTRACTORS EXPENSE.
15. ALL PIPE JOINTS SHALL BE LAMP AND PUSHED 'FULL HOME' WITH THE BEVELED END OF THE SPOOT MAKING FULL CONTACT WITH THE CHAMFERED AREA AT THE THROAT OF THE BELL OR SOCKET, WITH NO SEPARATION BETWEEN THEM. IF SEPARATION IS DETERMINED, THE PIPE SHALL BE EXCAVATED AND RE-LAID ACCORDING TO SPECIFICATIONS AT THE CONTRACTORS EXPENSE.
16. AT LEASE 24 HOURS BEFORE CONNECTING NEW SEWER PIPE TO THE EXISTING SEWAGE SYSTEM, THE CONTRACTOR SHALL CONTACT THE CITY OF WICHITA SEWER DEPARTMENT (268-4024). THE CONTRACTOR SHALL KEEP ANY CONSTRUCTION DEBRIS FROM ENTERING THE EXISTING SEWER. A MECHANICAL PLUG SHALL BE INSTALLED AND MAINTAINED TO ISOLATE THE EXISTING SEWER FROM THE NEW CONSTRUCTION UNTIL THE NEW CONSTRUCTION IS CLEANED, TELEVISED, AND HAS BEEN ACCEPTED. THE WATER USED FOR CLEANING SHALL NOT BE ADDED TO THE FLOW OF THE EXISTING SEWER. THE CLEANING OR OTHERWISE ACCUMULATED WATER SHALL BE PUMPED OR OTHERWISE REMOVED PRIOR TO TELEVISION.
17. THE CONTRACTOR SHALL CONTAIN HIS OPERATIONS TO PERMIT TRAFFIC THROUGH AND ACROSS CONSTRUCTION AT EXISTING ROADWAYS AT ALL TIMES. THE CONTRACTOR SHALL ERECT WARNING SIGNS, FLASHING LIGHTS, AND BARRICADES IN COMPLIANCE WITH MANUAL ON UNIFORM TRAFFIC CONTROL DEVICES TO ENSURE SAFETY AS DIRECTED IN THE GENERAL CONDITIONS. THE CONTRACTOR SHALL LIMIT THE EXTENT OF TRENCH TO REMAIN OPEN OVERNIGHT AND WEEKENDS TO LESS THAN 50 FEET.
18. SEEDING AND FERTILIZING OF ALL AREAS DISTURBED BY THE CONSTRUCTION OF THE SANITARY SEWER AS SHOWN ON THE PLANS SHALL BE PAID FOR AS A SUBSIDIARY TO OTHER ITEMS.
19. THE CONTRACTOR SHALL PROVIDE DRAINAGE AWAY FROM ALL MANHOLE COVERS.

CITY OF WICHITA, KANSAS
MICHAEL E. LINDBAK, P.E. - CITY ENGINEER
STOCKYARD REPLACEMENT SEWERLINE
GENERAL NOTES
C.O.M. PROJECT NO. 0304

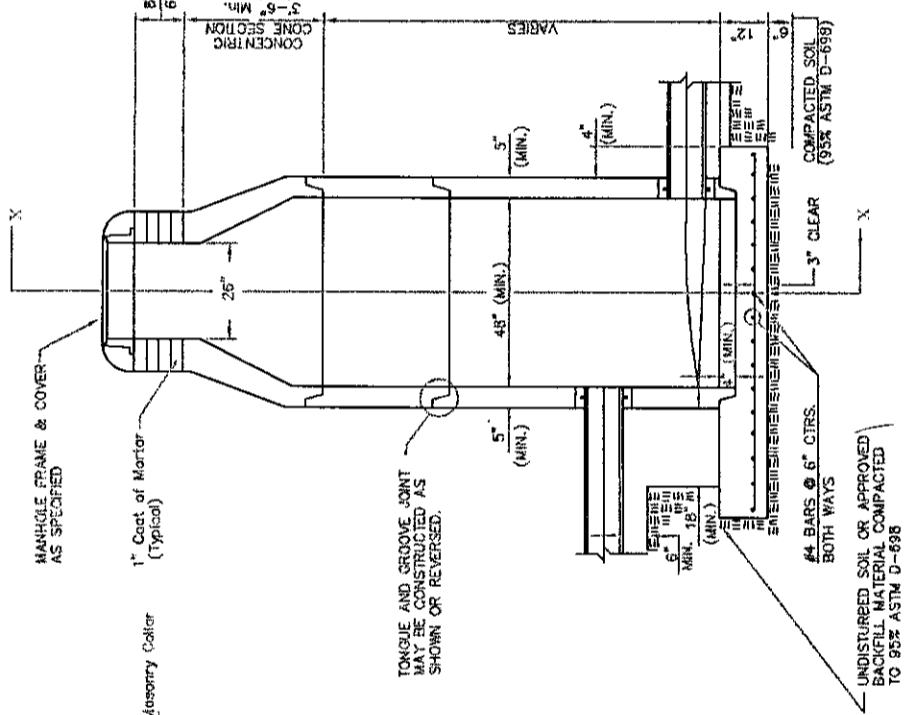
Rev. 1-3
1500 N. Broadway
Wichita, Kansas 67202
Telephone: (316) 268-2900
Fax: (316) 268-2910
Job No.: 0304 - Stockyard
Date: 21 August 2001
Designed By: J.E. Gough
Drawn By: A.D. Rice



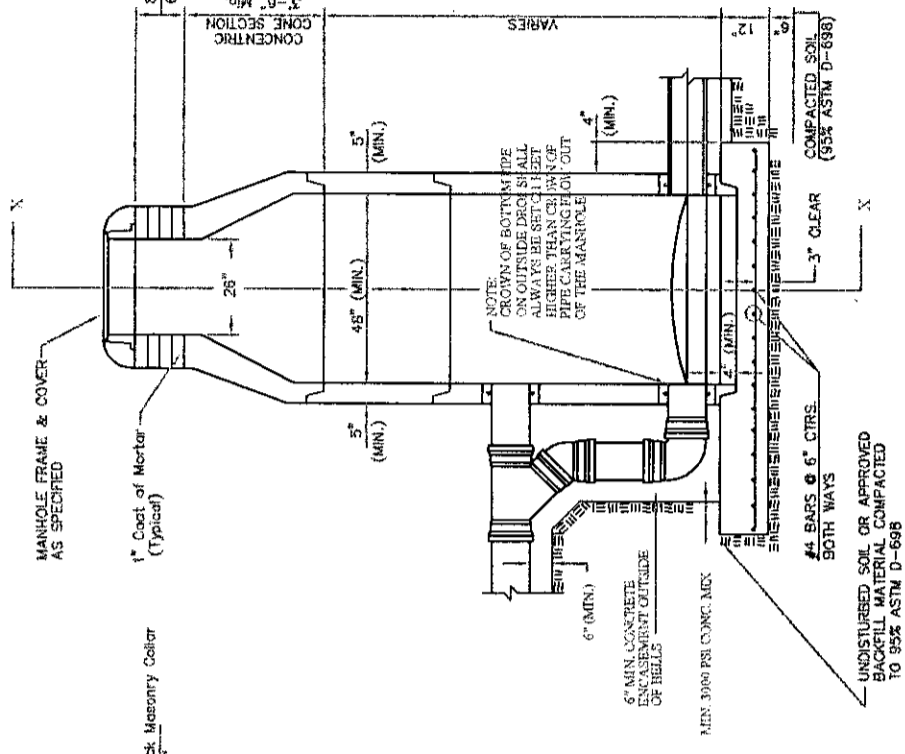
SEWER APPURTENANCES DETAILS



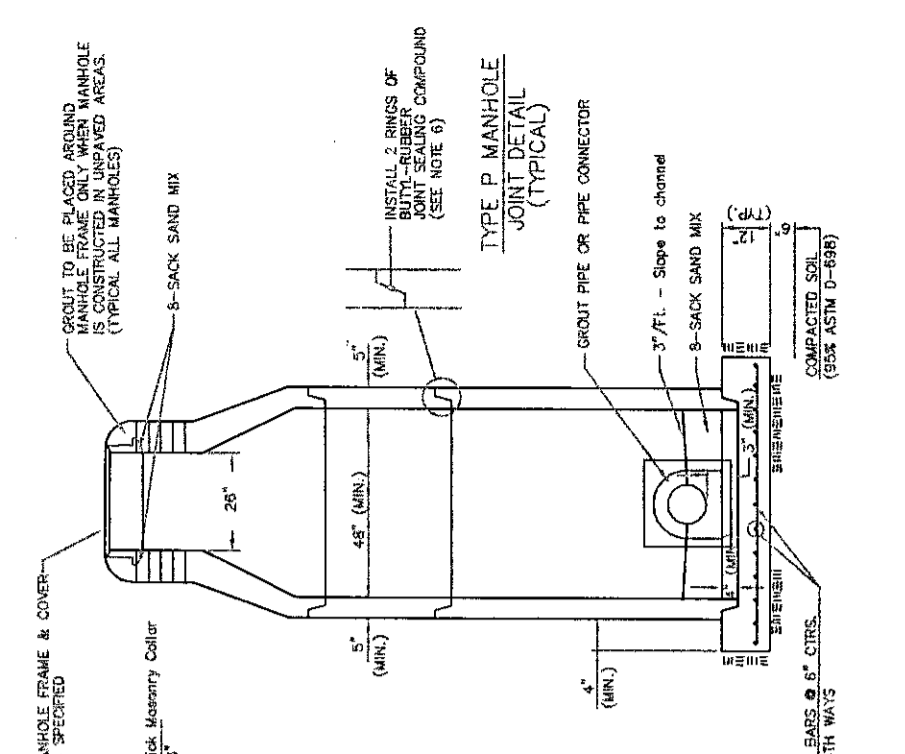
TYPE P
STANDARD MANHOLE



TYPE P
INSIDE DROP MANHOLE



TYPE P
OUTSIDE DROP MANHOLE



SECTION X
(TYPICAL)

1. ALL PRECAST CONCRETE MANHOLE SECTIONS SHALL CONFORM TO THE LATEST REVISIONS OF A.S.T.M. C478 AS MODIFIED BY THE SPECIFICATIONS.
2. NON-SHRINK GROUT SHALL BE NON-METALLIC TYPE.
3. APPROVED FLEXIBLE WATERSTOP GASKETS SHALL BE INSTALLED TO JOIN THE SEWER TO THE MANHOLE WALL WHEN A.B.S. COMPOSITE PIPE OR P.V.C. PIPE IS USED. FOR OTHER TYPES OF PIPE THE SEWER SHALL BE GROUTED IN PLACE WITH NON-SHRINK GROUT. SEWER PIPE SHALL BE SUPPORTED WITH CONCRETE ENCASEMENT A MINIMUM OF 3 FEET FROM THE MANHOLE WALL AND TO THE FIRST JOINT FOR V.C.P. SUCH THAT THE JOINT REMAINS FLEXIBLE.
4. ALL INSIDE SURFACES OF THE CONCRETE MANHOLE WHICH WOULD BE EXPOSED TO SEWER GAS SHALL BE COATED WITH 2 COATS INEMEC SERIES 66 HI-BUILD EPOXYLINE, DRY THICKNESS OF 8 MILS (MIN.).
5. EXTERIOR MANHOLE WALLS SHALL BE COATED WITH 1 COAT MOBILARMA 633 BITUMINOUS COATING.
6. JOINT SEALING COMPOUND SHALL BE KENT SEAL NO. 2 OR APPROVED EQUAL.
7. PRECAST MANHOLES SHALL BE SET AT LEAST 4 INCHES INTO THE MANHOLE BASE.
8. TOP OF MANHOLE FLOOR SLAB SHALL BE AT LEAST 3 INCHES BELOW THE FLOW LINE OF THE OUTLET PIPE TO INSURE SUFFICIENT MINIMUM THICKNESS OF SHAPED INVERT.
9. LIFTING HOLES SHALL BE FILLED WITH NON-SHRINK GROUT AND THE INTERIOR SURFACE COATED AS SPECIFIED.
10. REINFORCING STEEL SHALL BE INSTALLED IN THE MANHOLE BASES AND SHALL CONSIST OF NO. 4 BARS PLACED ON 6" CENTERS IN BOTH DIRECTIONS. THE MANHOLE BASE REINFORCEMENT SHALL BE PLACED AT LEAST 3" ABOVE THE BOTTOM OF THE MANHOLE BASE. ALL COSTS FOR FURNISHING AND INSTALLING REINFORCING STEEL SHALL BE INCLUDED IN THE UNIT PRICE BID FOR THE MANHOLE.

GENERAL NOTES

14. THE FLOORS OF ALL MANHOLES SHALL BE SHAPED WITH FLOW CHANNELS SUCH THAT THE MANHOLES WILL BE SELF CLEANING AND FREE OF AREAS WHERE SOLIDS COULD BE DEPOSITED AS SEWAGE FLOWS THROUGH THE MANHOLE FROM ALL INLET PIPES TO THE OUTLET PIPE. FLOW CHANNELS SHALL BE FORMED TO MATCH THE BOTTOM HALVES OF THE INFLOWING PIPES AND THE OUTFLOWING PIPE AS SHOWN BY THE DRAWINGS EXCEPT FOR INSIDE DROP MANHOLES. FLOW CHANNELS FOR INSIDE DROP MANHOLES SHALL BE CONSTRUCTED AS INDICATED BY THE DRAWING. MANHOLE FLOORS SHALL HAVE SLOPES OF 3 INCHES PER FOOT IN THE AREAS OUTSIDE OF THE FLOW CHANNELS SLOPED TOWARD THE FLOW CHANNELS. PIPES LAID THROUGH MANHOLES SHALL HAVE THE TOP HALF REMOVED TO NEAT LINES FOR THE FULL INSIDE DIAMETER OF THE MANHOLE. MANHOLE FLOORS SHALL THEN BE SHAPED AROUND THE BOTTOM HALF OF THE PIPE WHICH FORMS THE FLOW CHANNEL.
15. MANHOLE COVER CASTINGS AND MANHOLE FRAME CASTINGS SHALL CONFORM TO THE REQUIREMENTS AS INDICATED IN THE STANDARD SPECIFICATIONS AND AS SHOWN IN THE STANDARD DETAIL DRAWING.
16. THE VERTICAL DROP IN INSIDE DROP MANHOLES SHALL NOT EXCEED 2' FOR INFLOWING PIPES SIZED 12" OR SMALLER AND 2' FOR INFLOWING PIPES LARGER THAN 12". THE CROWNS OF INFLOWING PIPES SHALL NEVER BE SET LOWER THAN THE CROWN OF THE OUTFLOWING PIPE.
17. A BRICK MASONRY COLLAR SHALL BE INSTALLED BETWEEN THE CAST IRON FRAME AND THE CONCENTRIC CONE. THE COLLAR WILL HAVE 8" WALLS AND A VERTICAL HEIGHT OF 6" MINIMUM AND 18" MAXIMUM. A 1" COAT OF MORTAR WILL BE PLASTERED ON THE OUTSIDE OF THE COLLAR. THE USE OF PIPE-CAST CONCRETE SPACERS FOR MANHOLE TOP ADJUSTMENT IS ALSO ALLOWED.
18. STANDARD MANHOLES AND STANDARD INSIDE DROP MANHOLES SHALL BE BID AS STANDARD MANHOLES FOR THE TYPE AND DIAMETER INDICATED. OUTSIDE DROP MANHOLES SHALL BE BID AS STANDARD OUTSIDE DROP MANHOLES FOR THE TYPE AND DIAMETER INDICATED. ALL MANHOLE DIAMETERS WILL BE 4" UNLESS INDICATED OTHERWISE.

THE CITY OF WICHITA

STANDARD TYPE 'P' MANHOLES

GEORGE BUTLER ASSOCIATES, INC.
Engineers / Architects / Landscape Architects / Planners
1600 N. Broadway
Wichita, Kansas 67210-1000
Telephone (316) 269-2004
Fax (316) 269-2010

City Engineer's Office
City of Wichita, Kansas
1000 N. Broadway
Wichita, Kansas 67210
Telephone (316) 269-2004
Fax (316) 269-2010

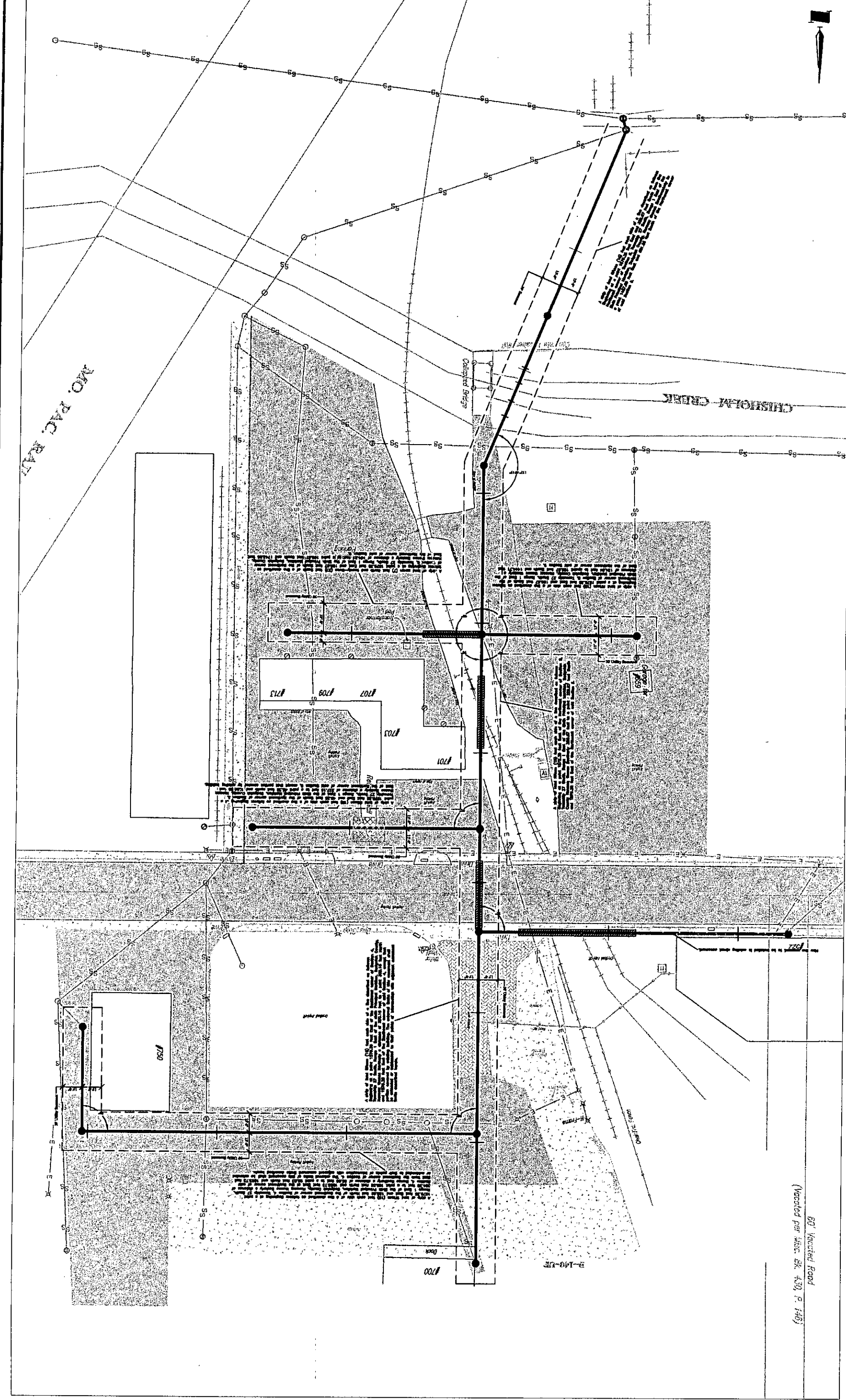
Job No.: 0304 - Standard
Drawn By: J.E. Ough
A.D. Rice
Date: 01 August 2007

STOCKYARD REPLACEMENT SEWERLINE
DETAIL SHEET
MICHAEL E. LINDBAK, P.E. - CITY ENGINEER
CITY OF WICHITA, KANSAS

C.O.M. PROJECT NO. 0304

CITY OF WICHITA, KANSAS
 STOCKYARD REPLACEMENT
 EASEMENT PLAN

PLAN: LAT. & LONG. SCALE: 1" = 20' HORIZ. & VERT.
 PROFILE: HORIZONTAL SAME AS ABOVE
 VERTICAL: 1" = 20'



BENCHMARK:
 Center of Square, Top of Curb,
 of #13 at 21st St., N. Front
 Direction: 121.54 City Datum

LEGEND:
 --- Fire Hydrant
 --- Sewer Manhole with Solid Lid
 --- Sewer Manhole with a Grate for a Lid
 --- Gas Meter
 --- Telephone Manhole
 --- Telephone Pole
 --- Power Pole
 --- Light Pole
 --- City Arborist
 --- City Street Light
 --- Manhole Wet
 --- Well
 --- Sign
 --- New Full Size 4' Dia. Manhole
 --- Continuation of Railroad
 --- Underground Telephone Line
 --- Overhead Telephone Line
 --- Overhead Electric Line
 --- Sewer Line
 --- Storm Sewer Line
 --- 2.0' Dia. Manhole
 --- Leads to Manhole (Prestress/Fiber Optic Line)

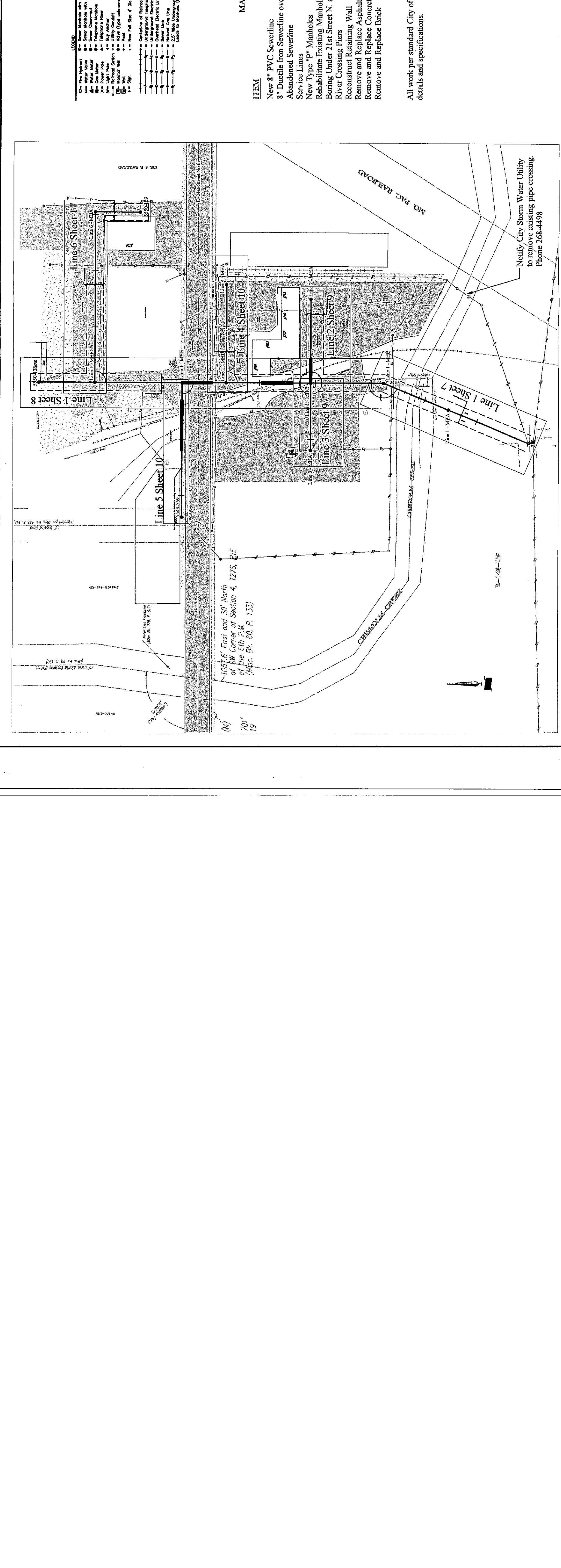
NOTE:
 One-Cut pipe installed
 for location of utility (check
 for location of utility companies
 prior to the utility companies.
 George Butler Associates, Inc.
 shall be responsible for the
 connection or continuation of the
 sewer line to the existing
 sewerline.

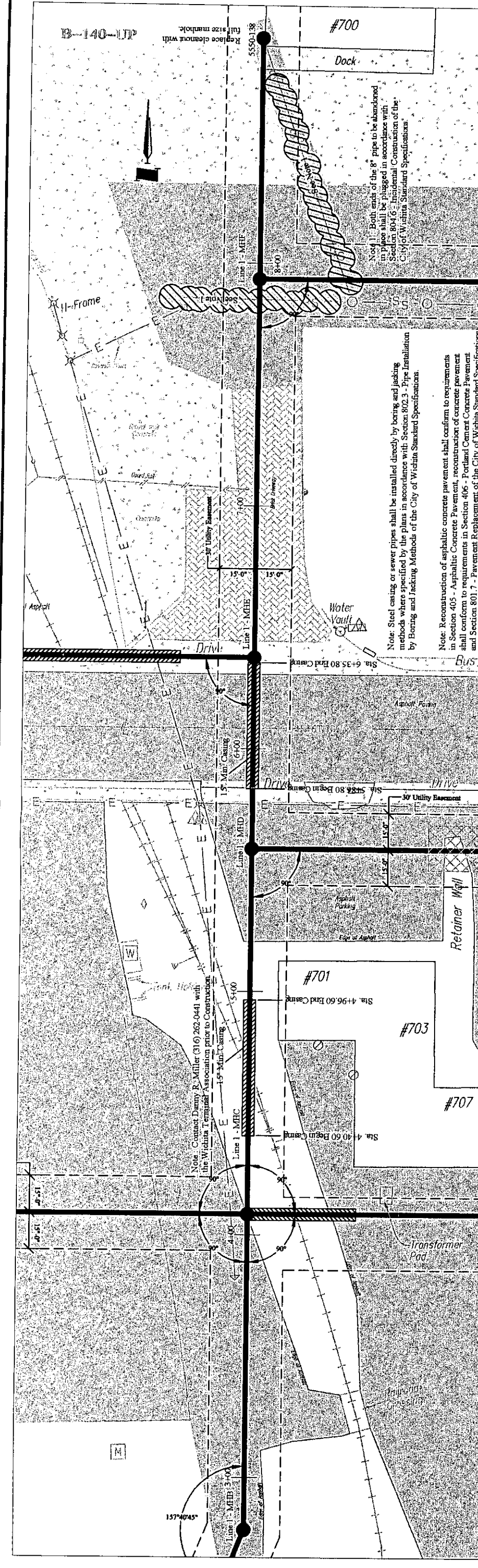
MATERIAL LIST

ITEM	QUANTITY
New 8" PVC Sewerline	1,930 L.F.
8" Ductile Iron Sewerline over Chisholm Creek	40 L.F.
Abandoned Sewerline	764 L.F.
Service Lines	10 Ea.
New Type "P" Manholes	13 Ea.
Rehabilitate Existing Manhole	2 Ea.
Boring Under 21st Street N. and Railroad Tracks	238 L.F.
River Crossing Piers	2 Ea.
Reconstruct Retaining Wall	1 Ea.
Remove and Replace Asphalt	1,129 L.F.
Remove and Replace Concrete	318 L.F.
Remove and Replace Brick	104 L.F.

All work per standard City of Wichita
 details and specifications.

Notify City Storm Water Utility
 to remove existing pipe crossing.
 Phone 268-4498



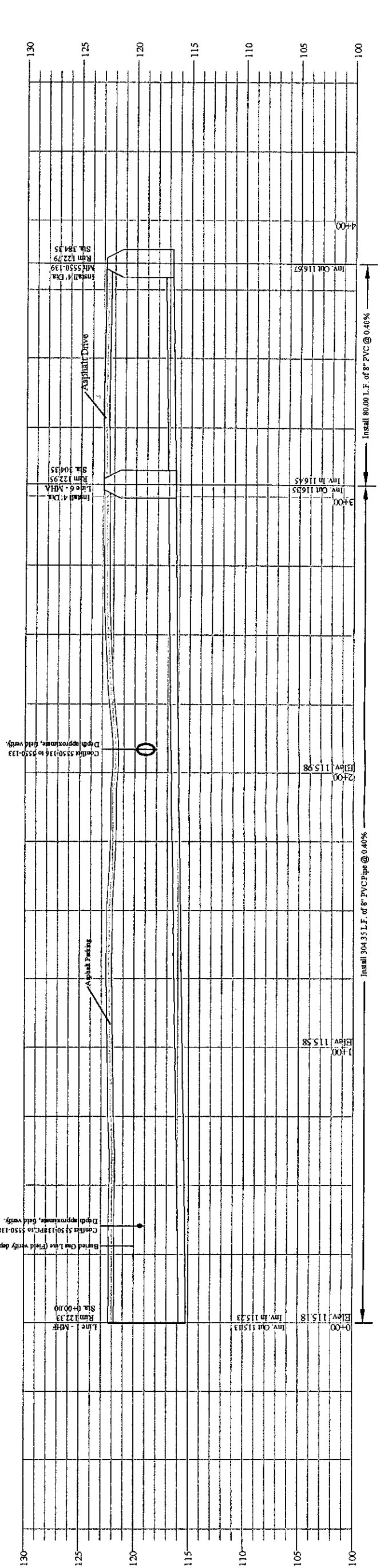


Note: Steel casing or sewer pipes shall be installed directly by boring and jacking methods where specified by the plans in accordance with Section 802.3. Pipe installation by boring and jacking methods of the City of Wichita Standard Specifications.

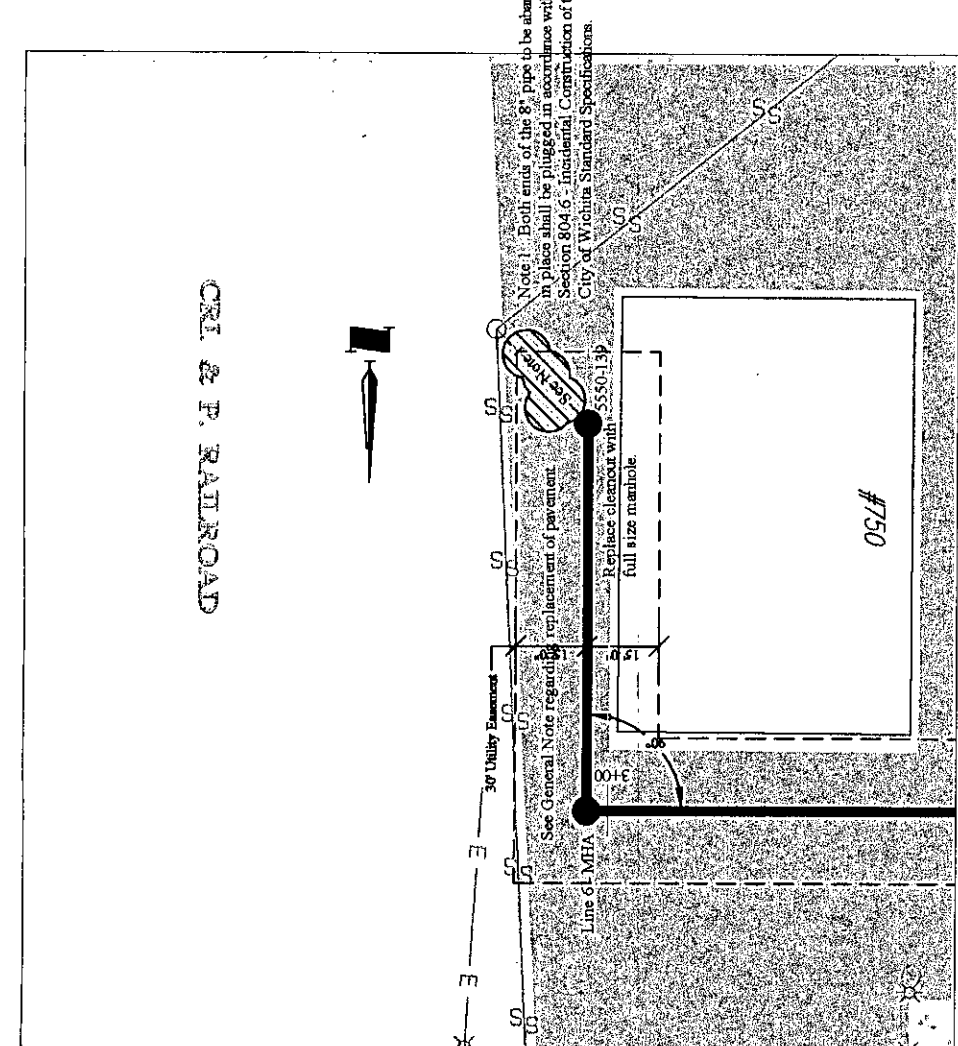
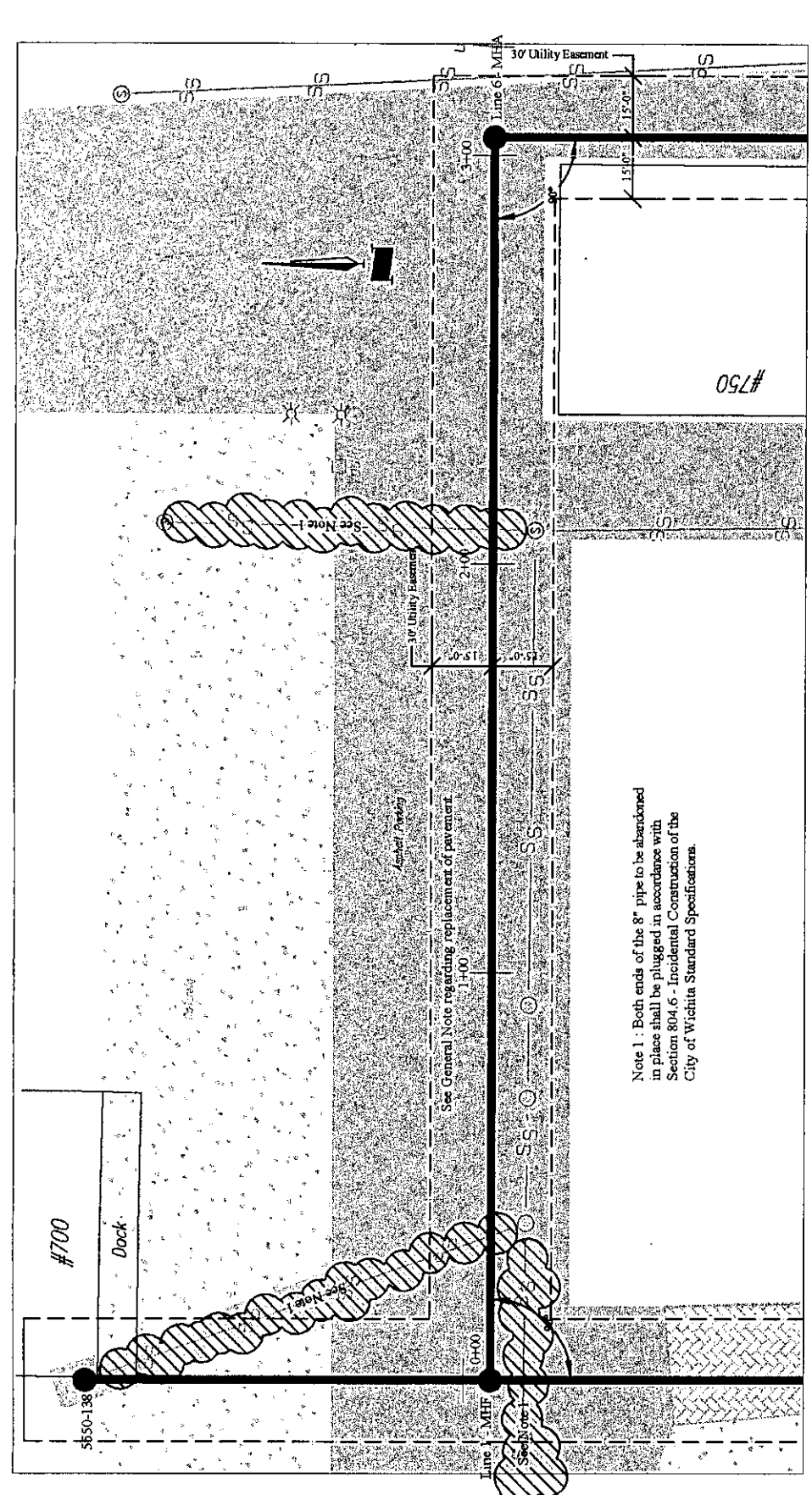
Note: Reconstruction of asphaltic concrete pavement shall conform to requirements of Section 805. Asphaltic Concrete Pavement, reconstruction of concrete pavement shall conform to requirements of Section 801.7. Pavement Replacement of the City of Wichita Standard Specifications.

Note: Both ends of the 8" pipe shall be embedded in place shall be plugged in accordance with Section 804.6. Final Installation of the City of Wichita Standard Specifications.

PLAN - LINE 1
 PROFILE - LINE 1
 PLAN: LAT. & LONG.
 PROFILE: HORIZONTAL SAME AS ABOVE
 VERTICAL



PROFILE - LINE 6



CRI & F. RAILROAD

