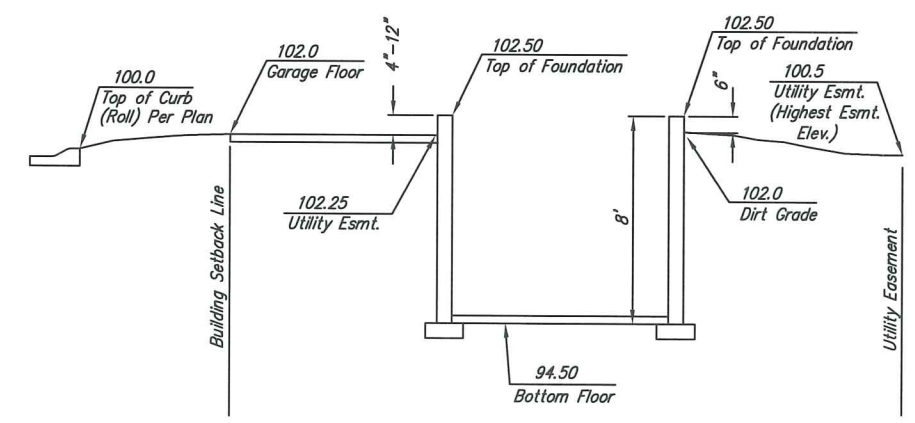


BENCH MARK: CHISELED SQUARE ON TOP OF CURB AT THE LOT LINE COMMON TO LOTS 8 AND 9, BLOCK 1, B.G.'S 1ST ADDITION, ELEVATION = 1312.69 (NAVD88)



* Varies (Check Individual Lot)
Typical Section

**B.G.'S 1ST ADDITION
 Four Corner Lot Grading Plan
 WICHITA, KANSAS**

| | | | | |
|--|---|------------------------------|----------------------|-------------------------------------|
| | Ruggles & Bohm, P.A. Engineering, Surveying, Land Planning | | DESIGN KWL | SHEET 1 OF 1 |
| | 924 North Main (316) 264-8008 Wichita, Kansas 67203 (316) 264-4621 fax www.rbkansas.com E-mail: info@rbkansas.com | | DRAWN KWL | |
| DRAWING FILE engineering base [Drainage Plan] | PROJECT NUMBER -- | DATE June 26, 2009 | REVIEW KWL | JOB NO. 3454P |