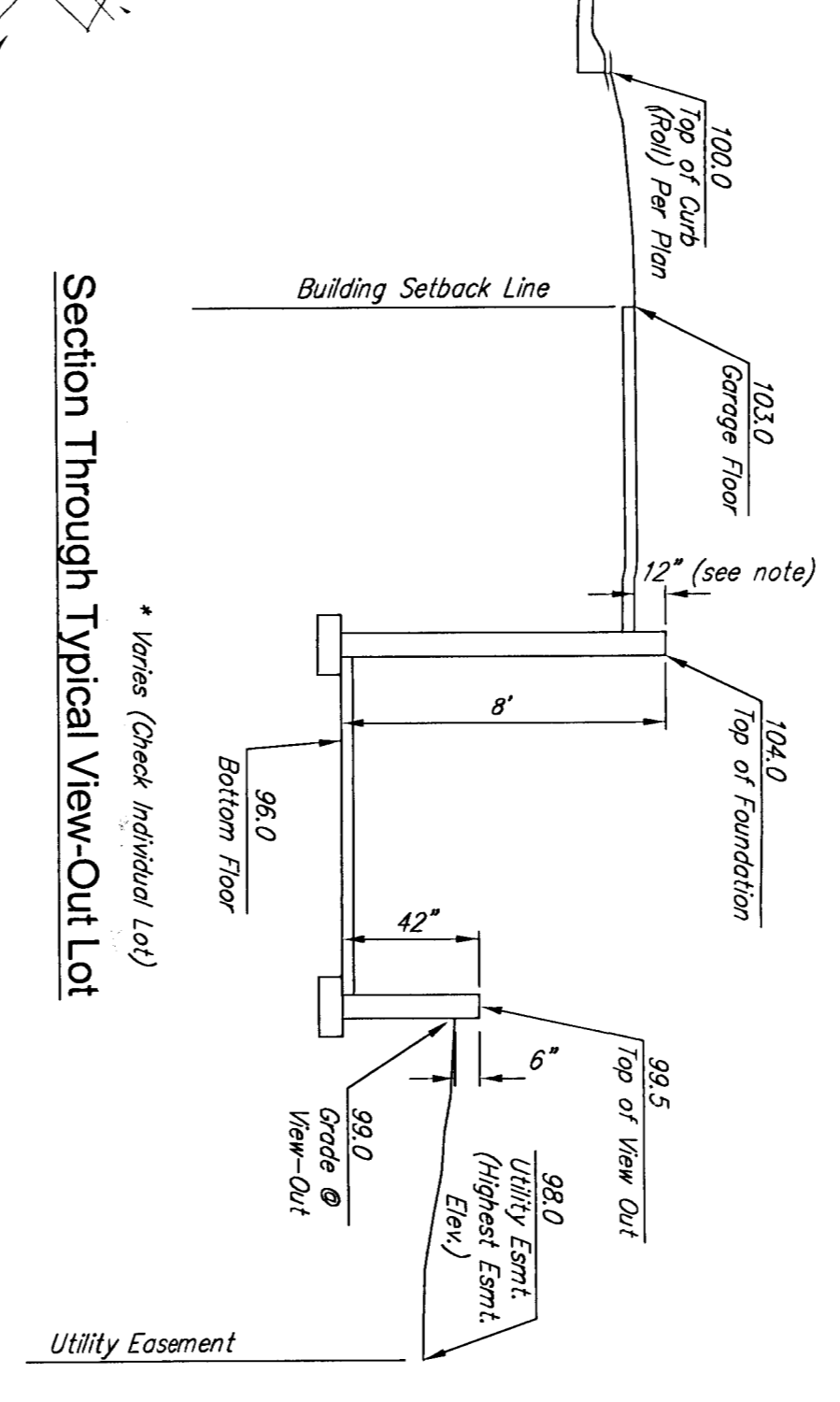
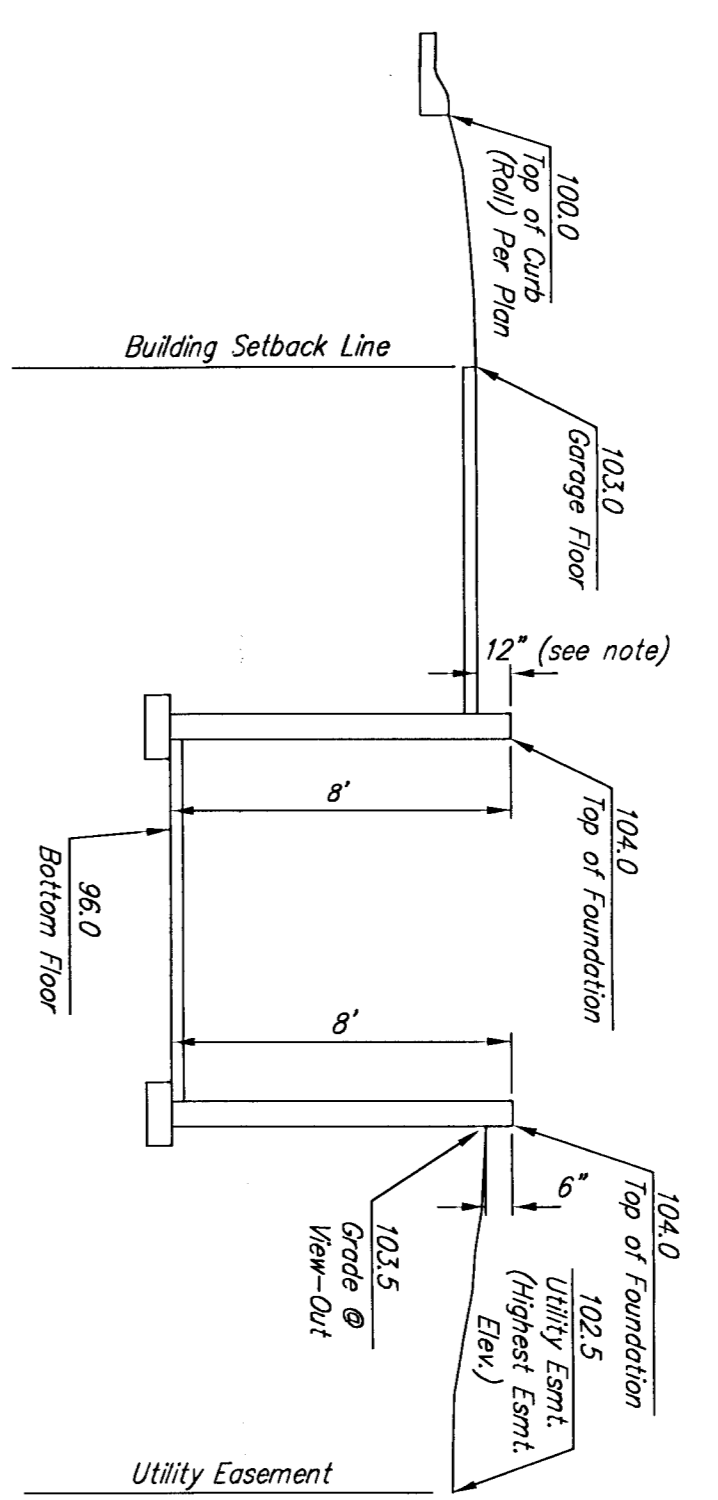
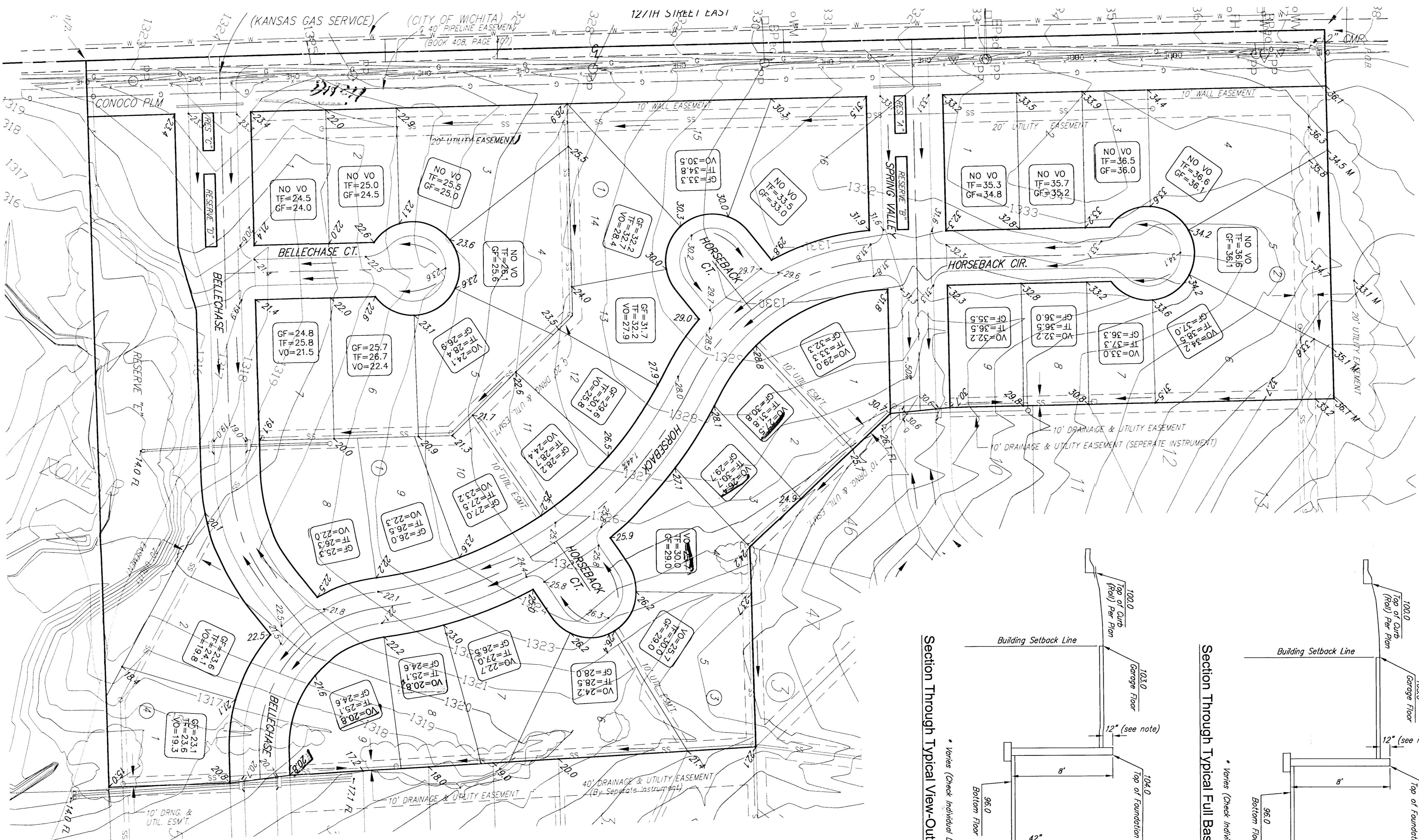


# BELLECHASE

## Subdivision Grading Plan

Wichita, Sedgwick County, Kansas



BENCHMARK: SPIKE IN SOUTH FACE OF POWER POLE 79 SOUTH SOUTHEAST OF THE WEST QUARTER CORNER OF SEC. 26, T7S, R2E ELEV.=1337.46 (NGVD)

**LEGEND**  
 \*XXV Proposed Corner Grade  
 G=69.5 Proposed Garage Floor  
 TF=20.0 Proposed Top of Foundation  
 VO=63.7 Proposed Viewout Elevation



**Russell & Bohn, P.A.**  
 Engineering, Surveying, Land Planning  
 924 North Main  
 Wichita, Kansas 67203  
 www.rbkansas.com  
 (316) 264-8008  
 (316) 264-4621 fax  
 E-mail: info@rbkansas.com

**BELLECHASE GRADING PLAN WICHITA, KANSAS**

DESIGN: K.W.L.  
 DRAWN: K.W.L.  
 REVIEW: K.W.L.  
 UTILITY: K.W.L.  
 DATE: Mar. 28, 06

3672  
 1 of 1