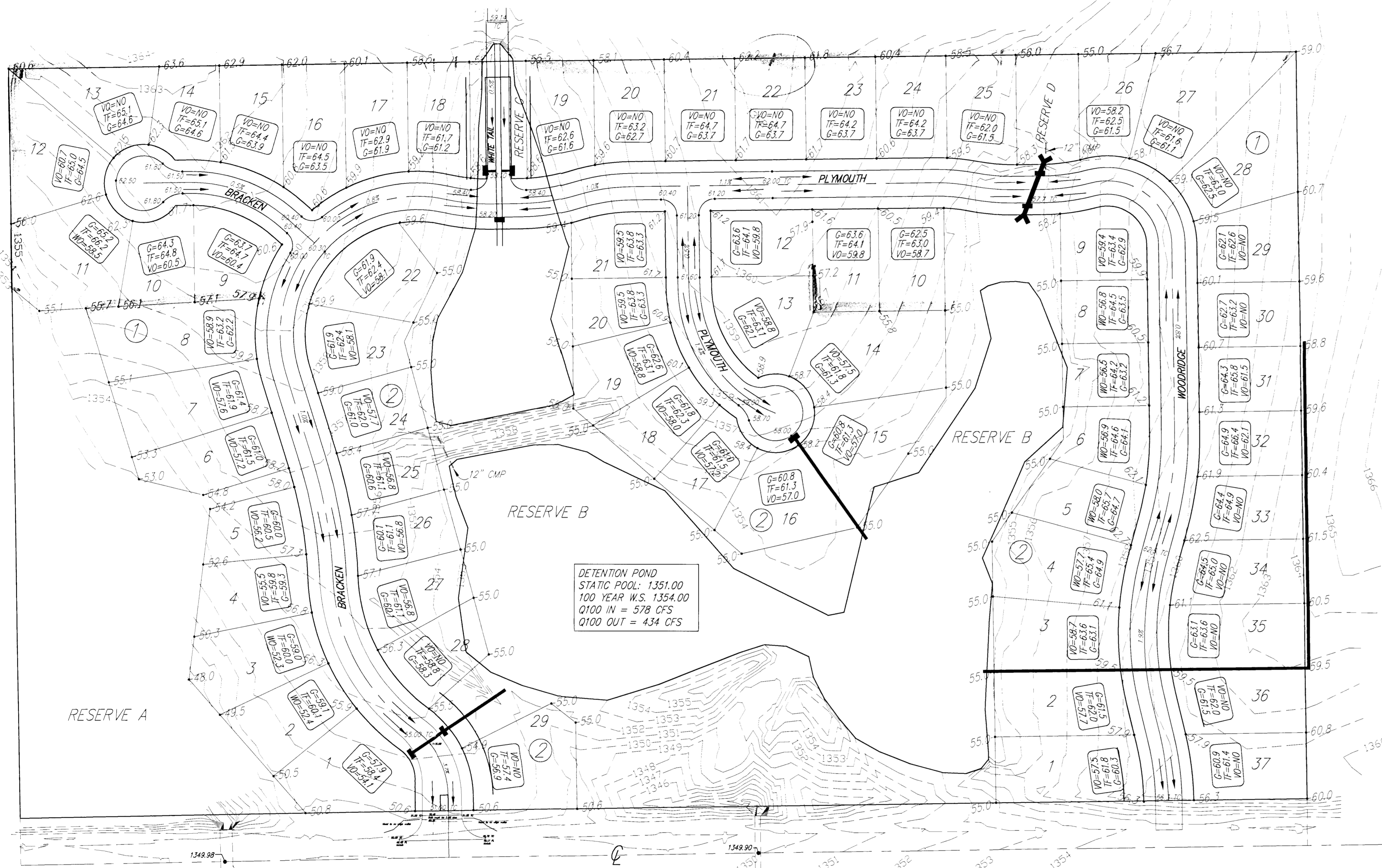
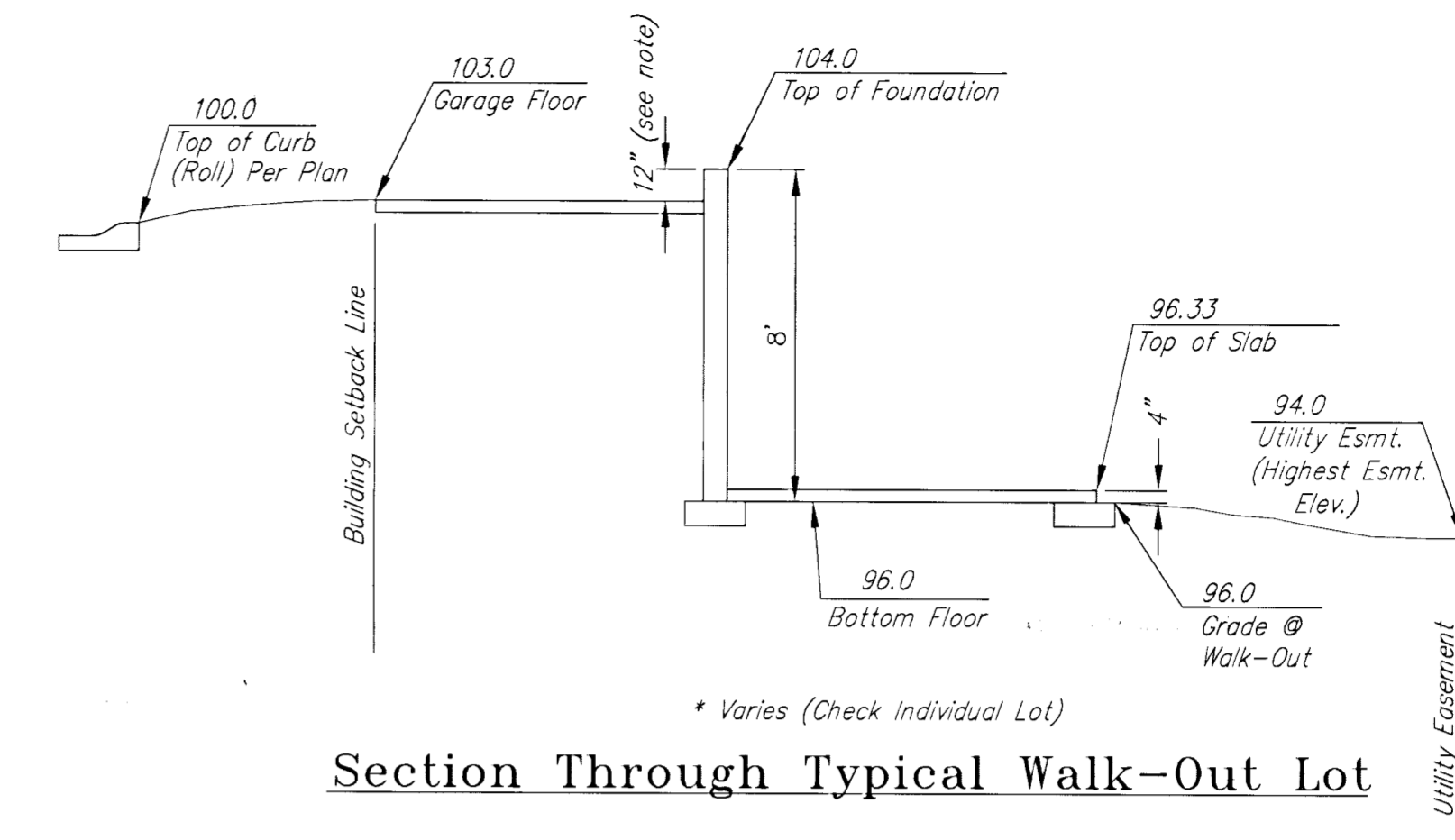


CENTRAL DEVELOPMENT ADDITION

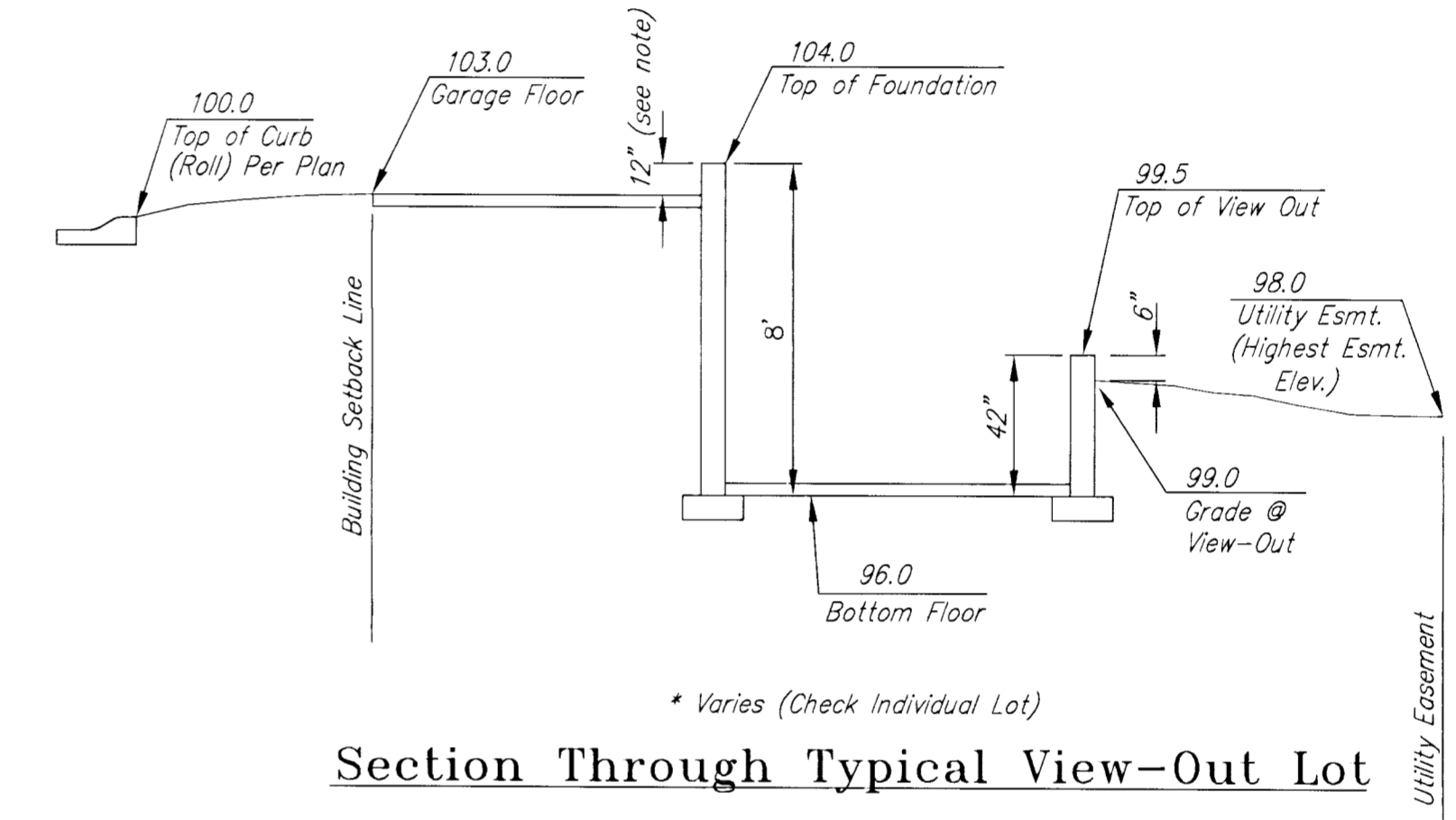
Wichita, Sedgwick County, Kansas



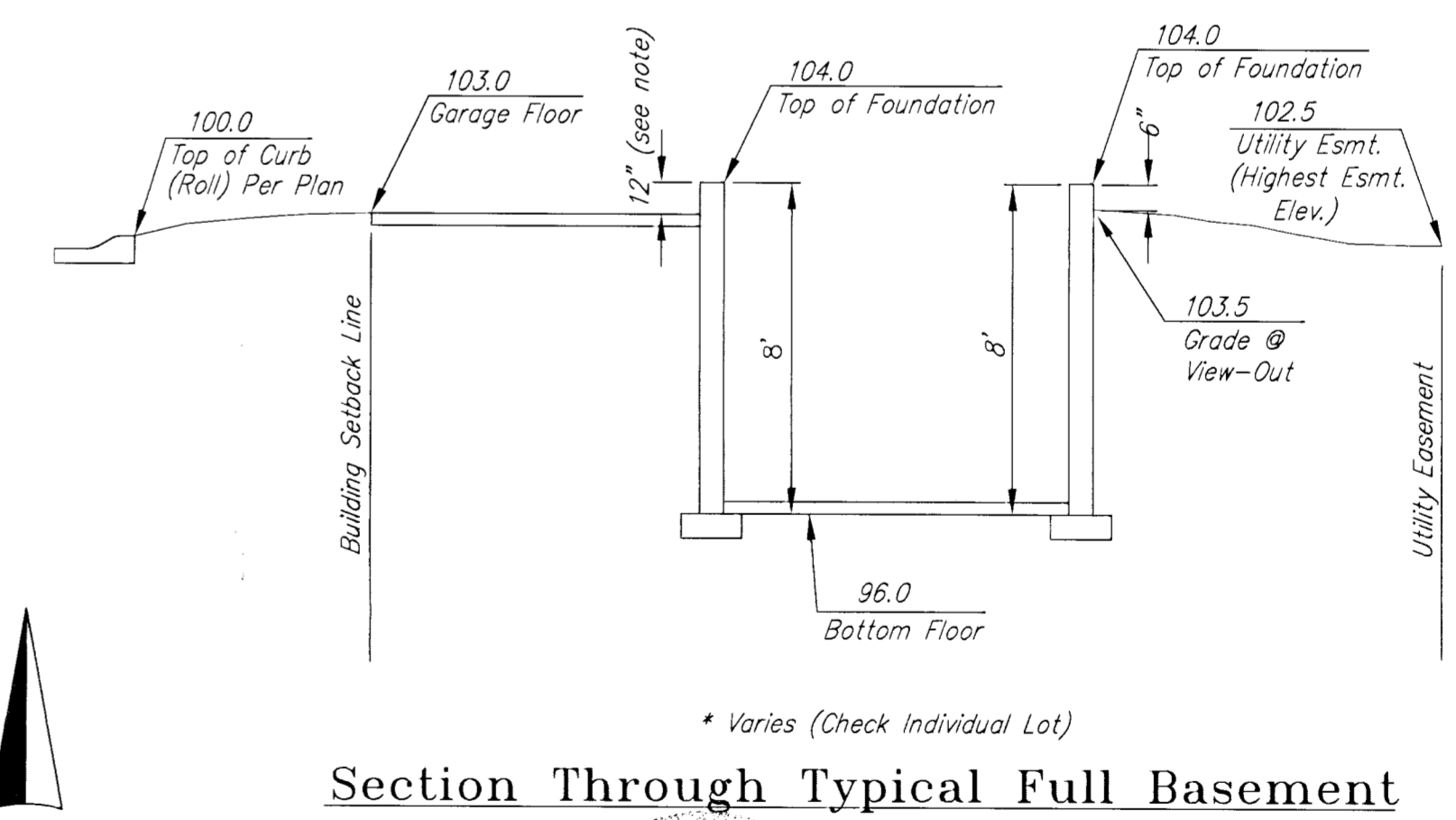
DETENTION POND
 STATIC POOL: 1351.00
 100 YEAR W.S. 1354.00
 Q100 IN = 578 CFS
 Q100 OUT = 434 CFS



Section Through Typical Walk-Out Lot



Section Through Typical View-Out Lot

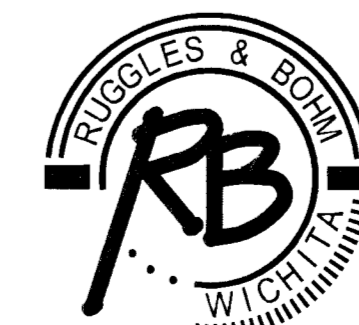
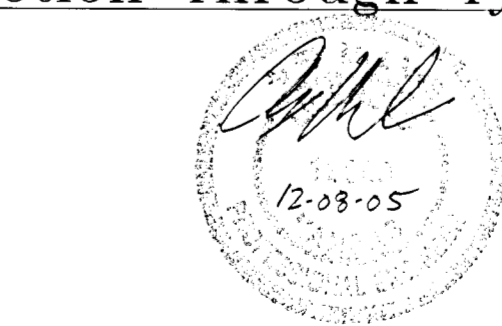


Section Through Typical Full Basement

Existing 2'-7"x7' RCBC
 1153.77
 1024.33
 1349.86

CENTRAL

Existing 7'-7' RCBC



Ruggles & Bohm, P.A.
 Engineering, Surveying, Land Planning
 924 North Main (316) 264-8008
 Wichita, Kansas 67203 (316) 264-4621 fax
 www.rbkansas.com E-mail: info@rbkansas.com