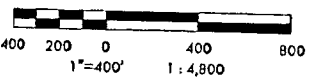
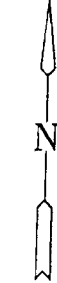


VICINITY MAP



Rank of Bearings Kansas Coordinate System 1983 south zone bearing of N89°40'43"E, 2651.22' along the N.E. line of the NE 1/4, Sec. 26, T29S, R4W, 6th P.M.

LEGEND

- △ = Section Corner Monument Found
- = Found 3/4" Rebar w/ Armstrong lid cap
- = Set 3/4" Rebar w/ MKEC CLS 39 lid cap
- (M) = Measured
- (D) = Deeded
- (CM) = Calculated from measured
- = FEMA FIRM Zone "A"

ACCESS CONTROL NOTE

Applicable to W. 343rd St., W. 327th St., S. 119th St., S. 103rd St. The minimum distance between full turning movement drives shall be 400'. The minimum distance between a right-in/right-out drive and either another right-in/right-out drive or a full movement drive shall be 200'.

BENCH MARK

- NGS Disc in concrete stamped Annex 1762. Disc is 6" NW of SE corner of Section 26, T29S, R4W. Elev. = 1381.00 (NGVD 29)
- Top of bolt in S. end of CMP, 280' E. of the S.W. corner Section 26, T29S, R4W. (painted orange) Elev. = 1376.88 (NGVD 29)

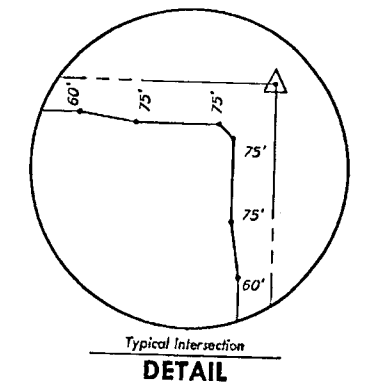
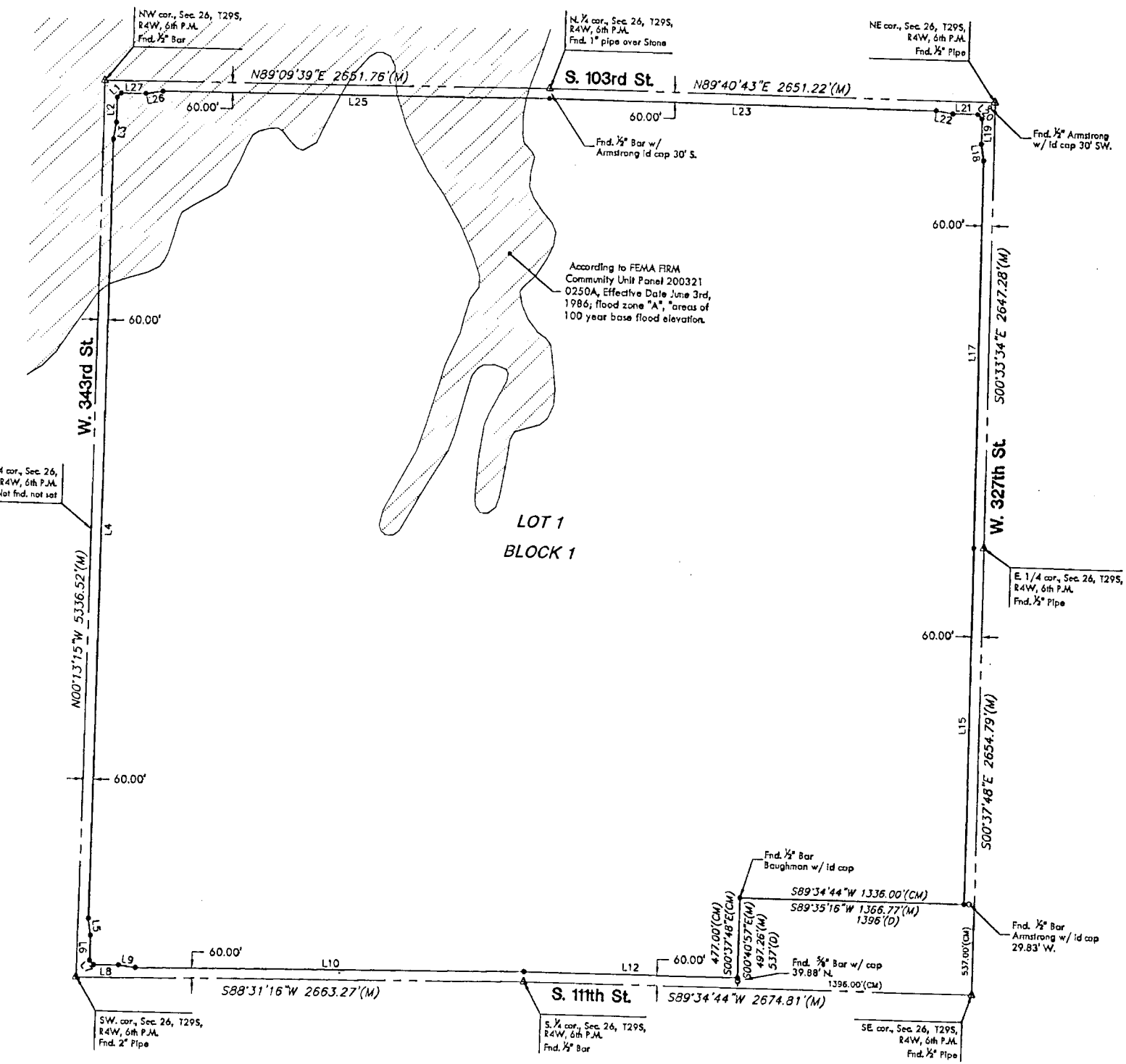
NOTE

The lowest opening(s) elevation or minimum pad elevation(s) will be determined and approved prior to the issuance of a building permit.

FINAL PLAT

WICHITA SAFETY FACILITY ADDITION

AN ADDITION TO WICHITA, SEDGWICK COUNTY, KANSAS



LINE	LENGTH	BEARING
L1	35.55	N44°28'12\"E
L2	150.00	N00°13'15\"W
L3	101.12	N08°18'36\"E
L4	4,635.65	N00°13'15\"W
L5	101.12	N08°45'05\"W
L6	150.00	N00°13'15\"W
L7	34.97	N45°50'59\"W
L8	150.00	S88°01'16\"W
L9	101.12	N82°56'53\"W
L10	2,312.80	S88°01'16\"W
L11	1,278.51	S89°34'44\"W
L12	477.14	S00°40'57\"E
L13	1,336.60	S89°35'16\"W
L14	2,117.39	S00°37'48\"E
L15	2,297.85	S00°33'34\"E
L16	101.12	S09°05'24\"E
L17	150.00	S00°33'34\"E
L18	35.43	S43°26'25\"E
L19	150.00	N89°40'43\"E
L20	101.12	S81°42'26\"E
L21	2,301.51	N89°40'43\"E
L22	2,302.04	N89°09'39\"E
L23	101.12	N89°37'49\"E
L24	150.00	N89°09'39\"E

MKEC
ENGINEERING
CONSULTANTS, INC.
411 N. WEBB ROAD
WICHITA, KS. 67206
316-584-5800