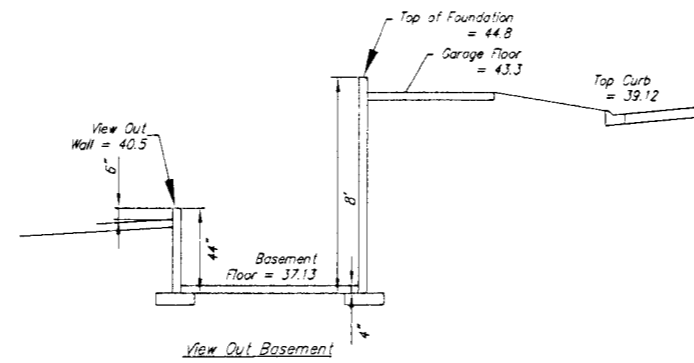


SITE PLAN

Lot 2, Block A, McPeak Addition
Wichita, Sedgwick County, Kansas



1" = 50'



Savoy Company, P.A.
Land Surveyors

PH (316) 265-0005
FAX (316) 265-0275

PROJECT NO 08L07325 P

433 S. Hydraulic, Wichita, KS 67211-1911

www.savoyco.com

13 MAR 07