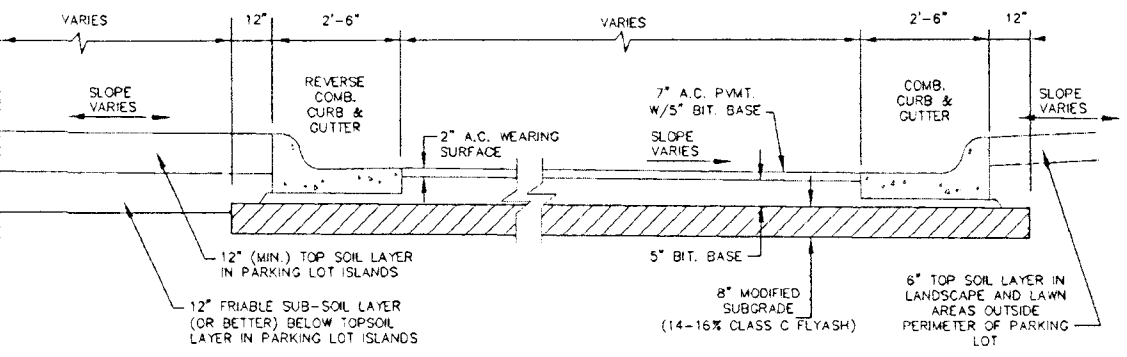
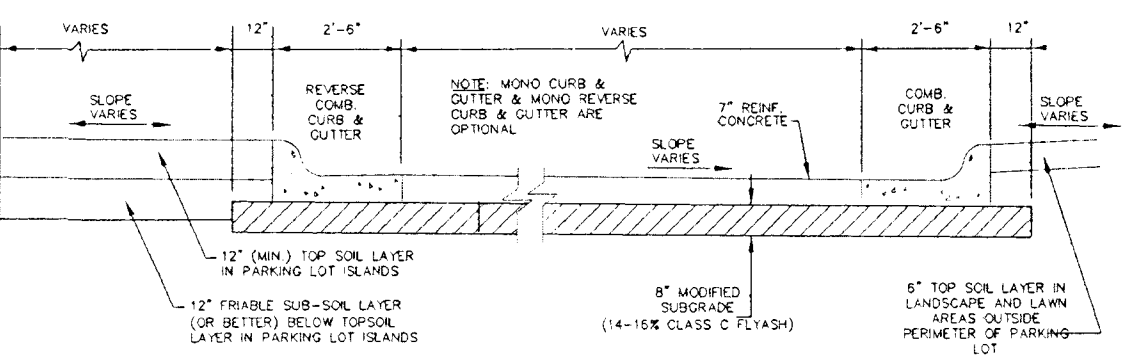


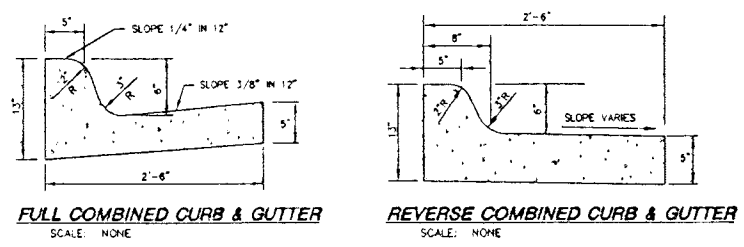
**PARKING LOT TYPICAL SECTION (5" A.C. PAVEMENT)**



**PARKING LOT TYPICAL SECTION (7" A.C. PAVEMENT)**

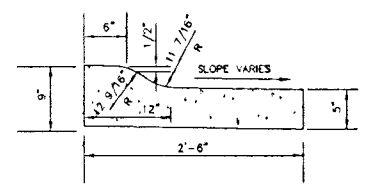


**PARKING LOT TYPICAL SECTION (CONCRETE PAVEMENT)**

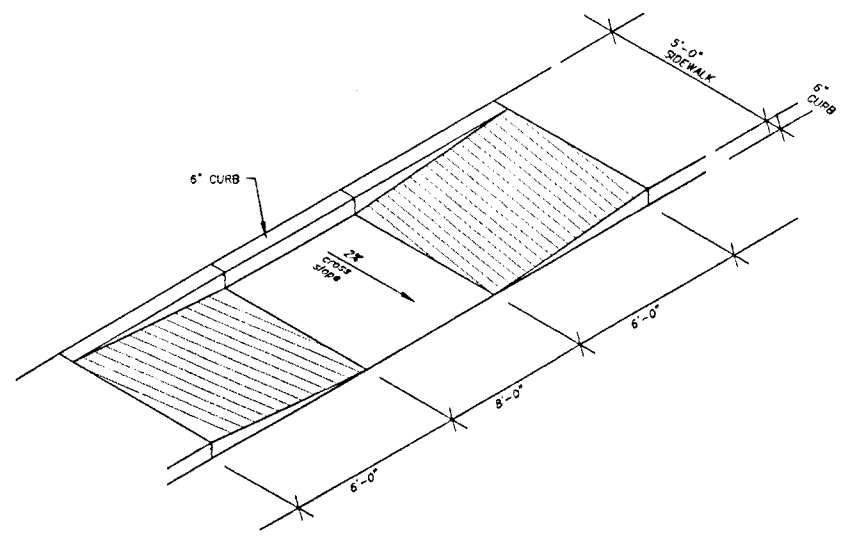


**FULL COMBINED CURB & GUTTER**  
SCALE: NONE

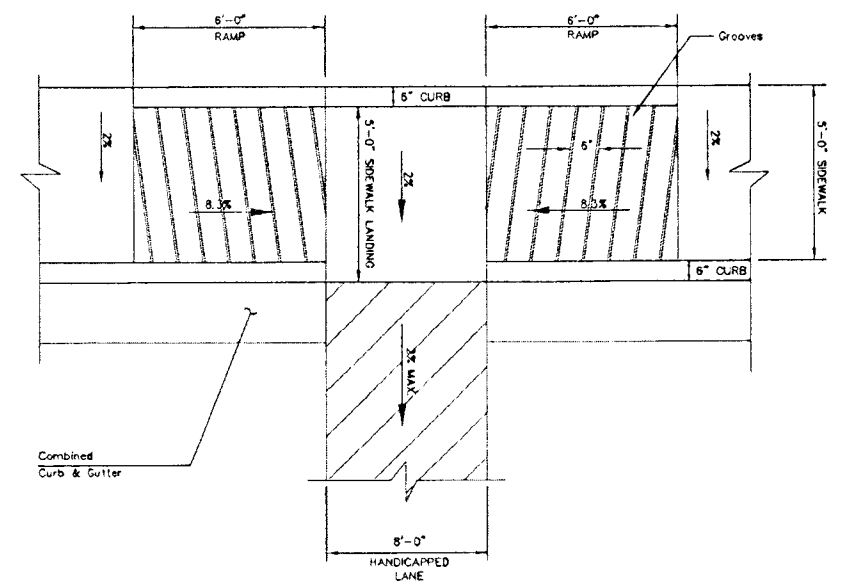
**REVERSE COMBINED CURB & GUTTER**  
SCALE: NONE



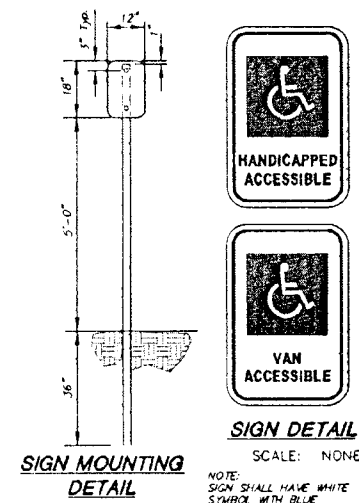
**REVERSE ROLL TYPE COMBINED CURB & GUTTER**  
SCALE: NONE



**ISOMETRIC VIEW-PARKING AREA WHEELCHAIR RAMP**  
SCALE: NONE

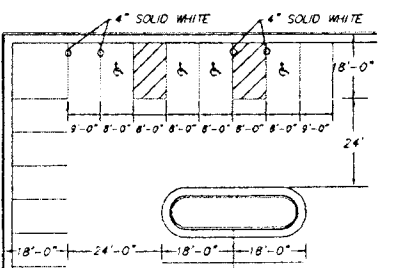


**PARKING AREA WHEELCHAIR RAMP PLAN**  
SCALE: NONE



**SIGN MOUNTING DETAIL**  
SCALE: NONE

NOTE: SIGN SHALL HAVE WHITE STRIPES WITH BLUE BACKGROUND



**TYPICAL PARKING LOT STRIPING LAYOUT**  
SCALE: 1"=20'

- NOTES**
1. IN NO INSTANCE SHALL GRADE ACROSS HANDICAP PARKING OR ISLE EXCEED 2% IN ANY DIRECTION.
  2. STANDARD PARKING STALL WIDTH SHALL BE 9'-0" AS NOTED ON SHEET 2.
  3. ALL STRIPING SHALL REMAIN ON A.C. PAVEMENT. CONTRACTOR SHALL NOT EXTEND STRIPING ON TO GUTTER SECTION.



M:\0000\04026\04026.dwg 02/01/2005 08:19:46 AM DST

**THE EXECUTIVE AT THE WATERFRONT**  
PROJECT NAME

**PAVING DETAILS**  
SHEET TITLE

**MKEC ENGINEERING CONSULTANTS**  
411 W. WEBB ROAD  
WICHITA, KS. 67208  
316-264-9999

SRS DESIGN BY	DBG DRAWN BY	GJA CHECKED BY
FEBRUARY 2005 DATE	04026 JOB NO.	3 / 6 SHEET OF