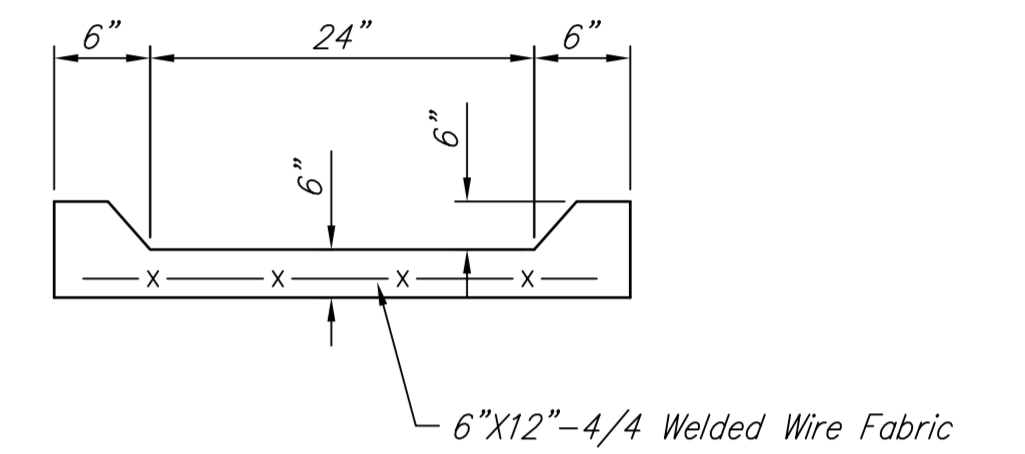
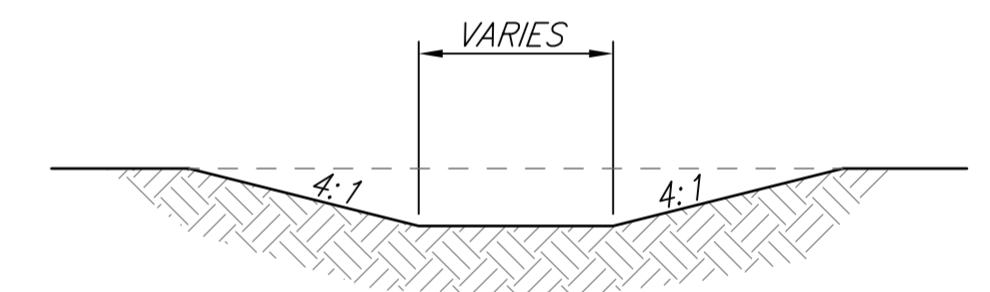


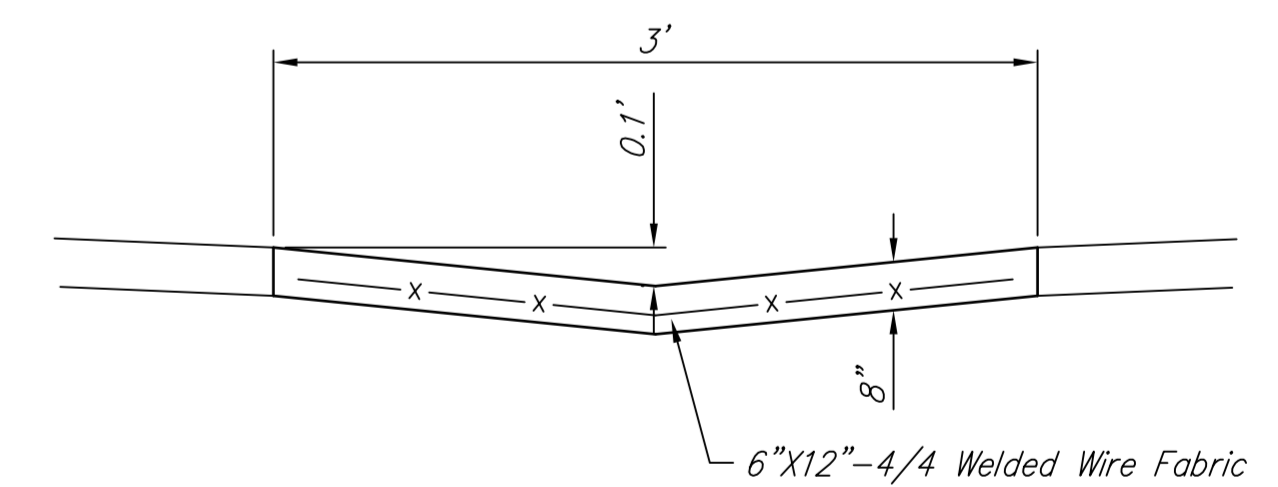
DEPRESSED CURB SECTION



CONCRETE FLUME SECTION



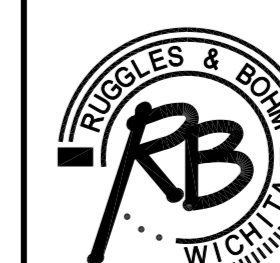
TYPICAL SWALE SECTION



VALLEY GUTTER DETAIL

PRELIMINARY
 NOT FOR CONSTRUCTION
 Date : 10-29-2009

**FED EX FREIGHT FACILITY
 SHOP AREA DETAILED GRADING PLAN
 WICHITA, KANSAS**



Ruggles & Bohm, P.A.
 Engineering, Surveying, Land Planning
 924 North Main
 Wichita, Kansas 67203
 www.rbkansas.com
 (316) 264-8008
 (316) 264-4621 fax
 E-mail: info@rbkansas.com

DESIGN	KWL	SHEET C1.3 OF
DRAWN	RA	
REVIEW		
UTILITY		
DRAWING FILE	PROJECT NUMBER	DATE Oct. 29, 2009