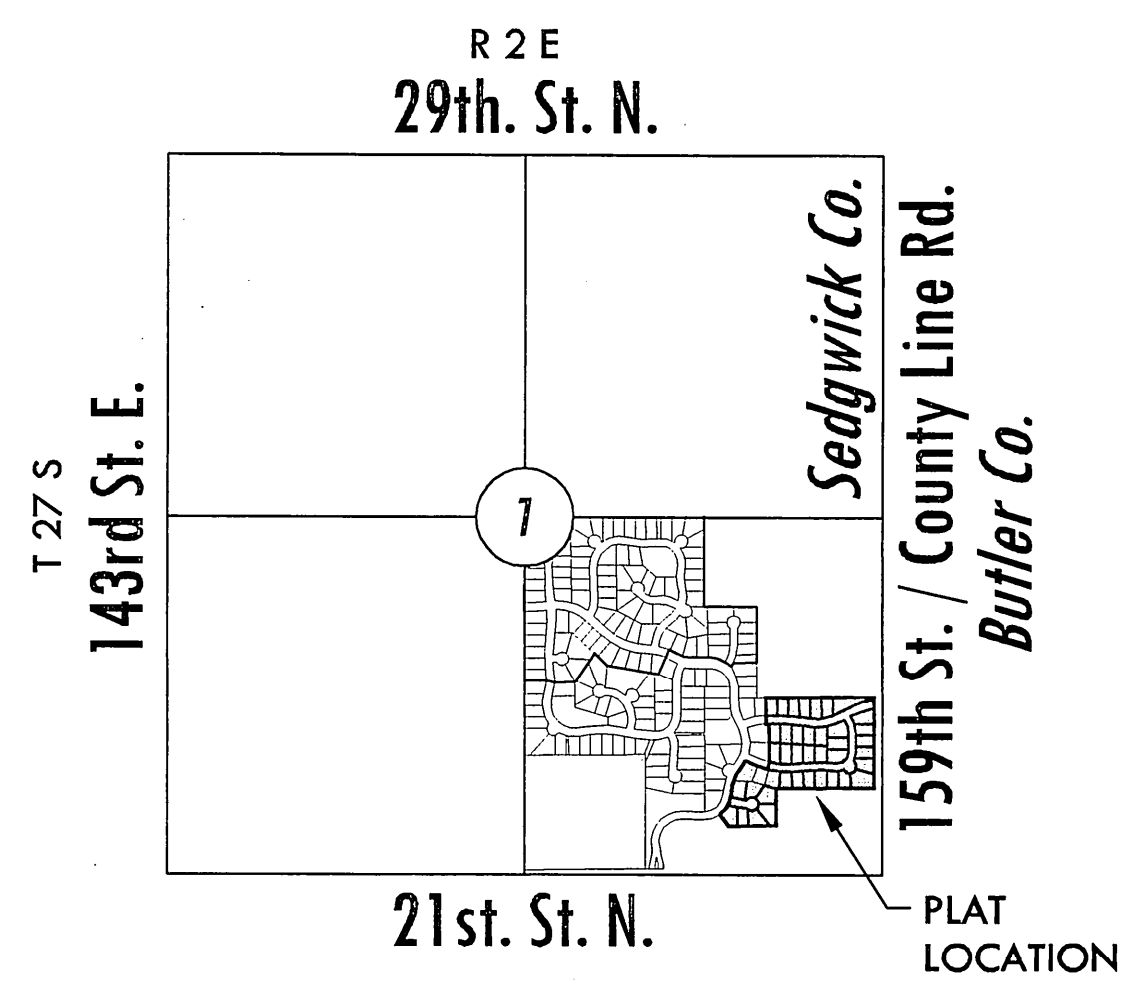


CONST. V-BOTTOM DITCH
0.5% SLOPE, 4:1 SIDE
SLOPES, MAX OVERALL
DEPTH= 2' OVERALL
WIDTH= 16'



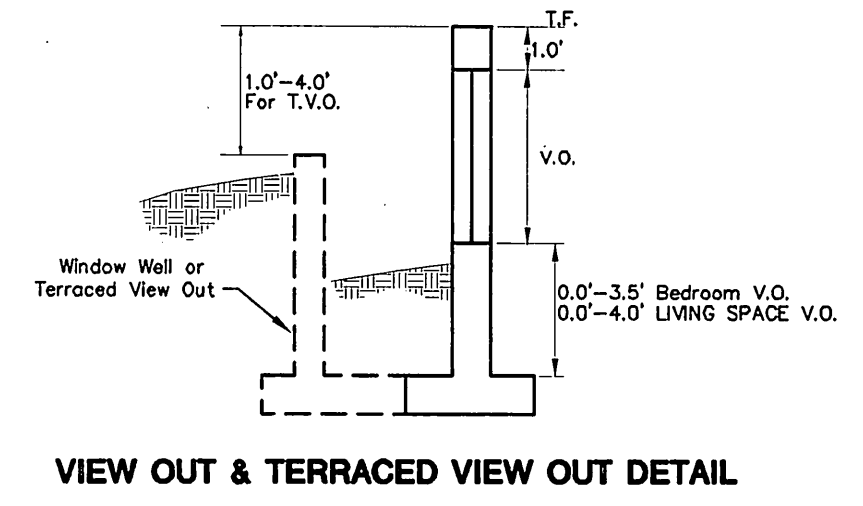
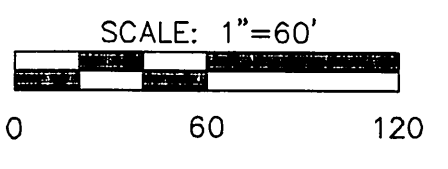
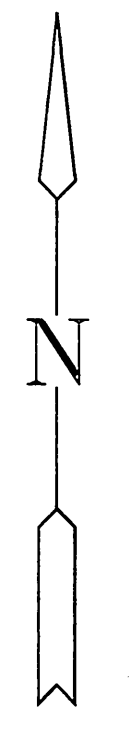
VICINITY MAP

LEGEND

- ⊙ - CONIFEROUS TREE
- ⊙ - DECIDUOUS TREE
- SN - SIGN
- PP - POWER POLE
- ELEC BOX - ELECTRIC BOX
- LP - LIGHT POLE
- FH - FIRE HYDRANT
- WV - WATER VALVE
- WM - WATER METER
- SC - SECTION CORNER
- BM - BENCHMARK
- - - - - EASEMENT
- - - - - BUILDING SETBACK
- - - - - FENCE
- - - - - STORM SEWER PIPE
- - - - - WATER LINE
- - - - - SANITARY SEWER LINE
- - - - - GAS LINE
- - - - - GAS PIPELINE
- - - - - TELEPHONE LINE
- - - - - UNDERGROUND ELEC.
- - - - - OVERHEAD ELECTRIC
- - - - - FIBER OPTIC CABLE
- - - - - DRAINAGE SUB BASIN
- - - - - DRAINAGE BASIN
- - - - - FLOW ARROW
- - - - - AREA FOR SWS SIZING
- VO - VIEW OUT
- NVO - NO VIEW OUT
- WO - WALKOUT
- PVO - PARTIAL VIEW OUT
- PWO - PARTIAL WALKOUT
- 1372.2 - PROP. SPOT ELEV.

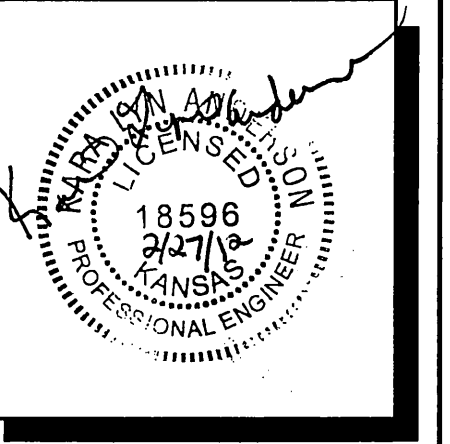
BENCH MARKS

- BM#2 - Railroad spike in north side of power pole, 924' east and 50' south of the South Quarter corner, Sec. 1, T27S, R2E. Elev. = 1372.64 NGVD 29
- BM#5 - Railroad spike in north side of power pole, 1040' west and 51' south of the southeast corner, Sec. 1, T27S, R2E. Elev. = 1368.50 NGVD 29



MKEC
ENGINEERING
CONSULTANTS, INC.

411 N. WEBB ROAD
WICHITA, KS. 67206
316 - 684 - 9600



MONARCH LANDING
MONARCH LANDING 3RD ADDITION
WICHITA, KANSAS
LOT GRADING PLAN

DATE
AUGUST 2011

REVISED
2/14/12 C.O.W. Comments
2/24/12 C.O.W. Comments
Lot 4, Blk. 3

DESIGN BY
KLA

DRAWN BY
TBK

CHECKED BY
GJA

SHEET NUMBER
1

J:\Civil\062011\dwg\3RD\Lot_Grading\062011_LCP3rd.dwg