



VortSentry® HS Guide Operation, Design, Performance and Maintenance



VortSentry® HS

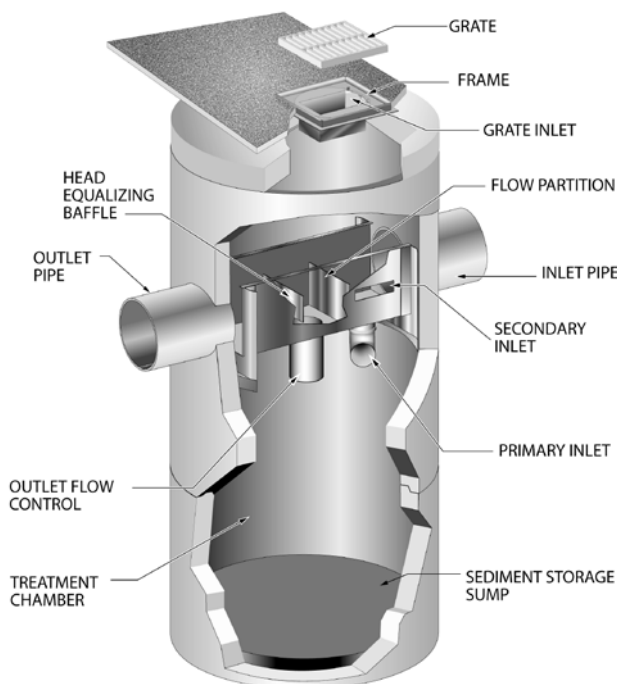
The VortSentry HS is a compact, below grade stormwater treatment system that employs helical flow technology to enhance gravitational separation of floating and settling pollutants from stormwater flows. With the ability to accept a wide range of pipe sizes, the VortSentry HS can treat and convey flows from small to large sites. A unique internal bypass design means higher flows can be diverted without the use of external bypass structures. The VortSentry HS is also available in a grate inlet configuration, which is ideal for retrofit installations.

Operation Overview

Low, frequently occurring storm flows are directed into the treatment chamber through the primary inlet. The tangentially oriented downward pipe induces a swirling motion in the treatment chamber that increases capture and containment abilities. Moderate storm flows are directed into the treatment chamber through the secondary inlet, which allows for capture of floating trash and debris. The secondary inlet also provides for treatment of higher flows without significantly increasing the velocity or turbulence in the treatment chamber. This allows for a more quiescent separation environment. Settleable solids and floating pollutants are captured and contained in the treatment chamber.

Flow exits the treatment chamber through the outlet flow control, which manages the amount of flow that is treated and helps maintain the helical flow patterns developed within the treatment chamber.

Flows exceeding the system's rated treatment flow are diverted away from the treatment chamber by the flow partition. Internal diversion of high flows eliminates the need for external bypass structures. During bypass, the head equalizing baffle applies head on the outlet flow control to limit the flow through the treatment chamber. This helps prevent re-suspension of previously captured pollutants.



Design Basics

There are two primary methods of sizing a VortSentry HS system. The Water Quality Flow Rate Method determines which model size provides the desired removal efficiency at a given flow for a defined particle size. The summation process of the Rational Rainfall Method is used when a specific removal efficiency of the net annual sediment load is required.

Typically, VortSentry HS systems are designed to achieve an 80% annual solids load reduction based on lab generated performance curves for a particle gradation with an average particle size (d_{50}) of 240-microns (μm).

Water Quality Flow Rate Method

In many cases, regulations require that a specific flow rate, often referred to as the water quality design flow (WQQ), be treated. This WQQ represents the peak flow rate from either an event with a specific recurrence interval (i.e. the six-month storm) or a water quality depth (i.e. 1/2-inch of rainfall).

The VortSentry HS is designed to treat all flows up to the WQQ. Due to its internal bypass weir configuration, flow rates in the treatment chamber only increase minimally once the WQQ is surpassed. At influent rates higher than the WQQ, the flow partition will allow most flow exceeding the treatment flow rate to bypass the treatment chamber. This allows removal efficiency to remain relatively constant in the treatment chamber and reduces the risk of washout during bypass flows regardless of influent flow rates.

Treatment flow rates are defined as the rate at which the VortSentry HS will remove a specific gradation of sediment at a specific removal efficiency. Therefore they are variable based on the gradation and removal efficiency specified by the design engineer and the unit size is scaled according to the project goal.

Rational Rainfall Method™

Differences in local climate, topography and scale make every site hydraulically unique. The Rational Rainfall Method is a sizing program CONTECH developed to estimate a net annual sediment load reduction for a particular VortSentry HS model based on site size, site runoff coefficient, regional rainfall intensity distribution, and anticipated pollutant characteristics. For more information on the Rational Rainfall Method, see *Vortechs Technical Bulletin 4: Modeling Long Term Load Reduction: The Rational Rainfall Method*, available at www.contechstormwater.com.

Treatment Flow Rate

The outlet flow control is sized to allow the WQQ to pass entirely through the treatment chamber at a water surface elevation equal to the crest of the flow partition. The head equalizing baffle applies head on the outlet flow control to limit the flow through the treatment chamber when bypass occurs, thus helping to prevent re-suspension or re-entrainment of previously captured particles.

Hydraulic Capacity

The VortSentry HS is available in three standard configurations: inline (with inlet and outlet pipes at 180° to each other), grated inlet, and a combination of grate and pipe inlets. All three configurations are available in 36-inch (900-mm) through 96-inch (2400-mm) diameter manholes.

The configuration of the system is determined by the suffix of the model name:

- A model name without a suffix denotes a standard pipe inlet (Example HS48).
- A “G” at the end of the model designation denotes a grate inlet (Example HS48G).
- A “GP” at the end of the model designation denotes a combination of grate and pipe inlets (Example HS48GP).

Performance

Full-Scale Laboratory Test Results

Laboratory testing of the VortSentry HS was conducted using F-55 Silica, a commercially available sand product with an average particle size of 240- μm (Table 1). This material was metered into a model HS48 VortSentry HS at an average concentration of between 250-mg/L and 300-mg/L at flow rates ranging from 0.50-cfs to 1.5-cfs (14-L/s to 56-L/s).

US Standard Sieve Size	Particle Size Micron (μm)	Cumulative Passing %
30	600	99.7%
40	425	95.7%
50	300	74.7%
70	212	33.7%
100	150	6.7%
140	106	0.7%

Table 1 : US Silica F-55 Particle Size Distribution

Removal efficiencies at each flow rate were calculated based on net sediment loads passing the influent and effluent sampling points. Results are illustrated in Figure 1.

Assuming that sediment in the inlet chamber is ideally mixed, removal rates through the system will decay according to the percentage of flow bypassed. This effect has been observed in the laboratory where the test system is designed to produce a

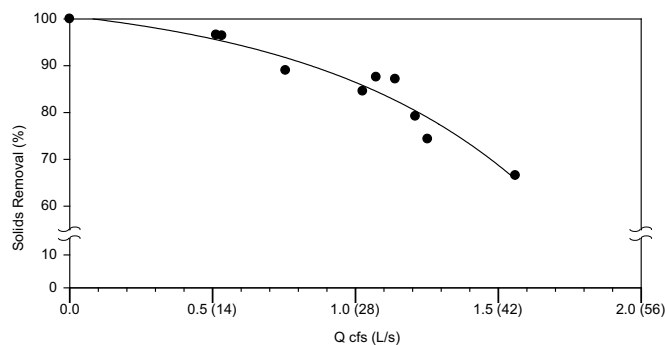


Figure 1: VortSentry HS Removal Efficiencies for 240- μm Particle Gradation

thoroughly mixed inlet stream. All VortSentry HS models have the same aspect ratio regardless of system diameter (i.e. an increase in diameter results in a corresponding increase in depth). Operating rates are expressed volumetrically.

Removal efficiency at each operating rate is calculated according to the average of volumetric and Froude scaling methods and is described by Equation 1.

$$\text{Equation 1: } \left(\frac{\text{Diameter Prototype}}{\text{Diameter Model}} \right)^{2.75} = \left(\frac{\text{Flow Rate Prototype}}{\text{Flow Rate Model}} \right)$$

Equation 1 and actual laboratory test results were used to determine the flow rate which would be required for the various VortSentry HS models to remove 80% of solids.

View full report at www.contechstormwater.com

Maintenance

The VortSentry HS system should be inspected at regular intervals and maintained when necessary to ensure optimum performance. The rate at which the system collects pollutants will depend more heavily on site activities than the size of the unit, i.e., unstable soils or heavy winter sanding will cause the treatment chamber to fill more quickly, but regular sweeping will slow accumulation.

Inspection

Inspection is the key to effective maintenance and is easily performed. Pollutant deposition and transport may vary from year to year and regular inspections will help ensure that the system is cleaned out at the appropriate time. At a minimum, inspections should be performed twice per year (i.e. spring and fall) however more frequent inspections may be necessary in equipment washdown areas and in climates where winter sanding operations may lead to rapid accumulations of a large volume of sediment. It is useful and often required as part of a permit to keep a record of each inspection. A simple inspection and maintenance log form for doing so is available for download at www.contechstormwater.com.

The VortSentry HS should be cleaned when the sediment has accumulated to a depth of two feet in the treatment chamber. This determination can be made by taking two measurements with a stadia rod or similar measuring device; one measurement from the manhole opening to the top of the sediment pile and the other from the manhole opening to the water surface. If the difference between these measurements is less than the distance given in Table 2, the VortSentry HS should be maintained to ensure effective treatment.

Cleaning

Cleaning of the VortSentry HS should be done during dry weather conditions when no flow is entering the system. Cleanout of the VortSentry HS with a vacuum truck is generally the most effective and convenient method of excavating pollutants from the system. Simply remove the manhole cover and insert the vacuum hose into the sump. All pollutants can be removed from this one access point from the surface with no requirements for Confined Space Entry.

In installations where the risk of petroleum spills is small, liquid contaminants may not accumulate as quickly as sediment. However, an oil or gasoline spill should be cleaned out immediately. Motor oil and other hydrocarbons that accumulate on a more routine basis should be removed when an appreciable layer has been captured. To remove these pollutants, it may be preferable to use adsorbent pads, which solidify the oils. These are usually much easier to remove from the unit individually, and less expensive to dispose than the oil/water emulsion that may be

created by vacuuming the oily layer. Floating trash can be netted out if you wish to separate it from the other pollutants.

Manhole covers should be securely seated following cleaning activities to prevent leakage of runoff into the system from above and also to ensure proper safety precautions. If anyone physically enters the unit, Confined Space Entry procedures need to be followed.

Disposal of all material removed from the VortSentry HS should be done in accordance with local regulations. In many locations, disposal of evacuated sediments may be handled in the same manner as disposal of sediments removed from catch basins or deep sump manholes. Check your local regulations for specific requirements on disposal.

VortSentry HS Model	Diameter		Distance				Oil Spill Storage	
			Between Water Surface and Top of Storage Sump		Sediment Storage			
	in.	m	ft.	m	yd ³	m ³	gal.	liter
HS36	36	0.9	3.6	1.1	0.5	0.4	83	314
HS48	48	1.2	4.7	1.4	0.9	0.7	158	598
HS60	60	1.5	6.0	1.8	1.5	1.1	258	978
HS72	72	1.8	7.1	2.2	2.1	1.6	372	1409
HS84	84	2.1	8.4	2.6	2.9	2.2	649	2458
HS96	96	2.4	9.5	2.9	3.7	2.8	845	3199

Note: To avoid underestimating the volume of sediment in the chamber, the measuring device must be carefully lowered to the top of the sediment pile. Finer, silty particles at the top of the pile may be more difficult to feel with the measuring stick. These finer particles typically offer less resistance to the end of the rod than larger particles toward the bottom of the pile.

Table 2: VortSentry HS Maintenance Indicators and Sediment Storage Capacities.

Logon to www.contechstormwater.com to download the VortSentry HS Inspection and Maintenance Log.

For assistance with maintaining your VortSentry HS, contact us regarding the CONTECH Maintenance compliance certification program.



Support

- Drawings and specifications are available at www.contechstormwater.com.
- Site-specific design support is available from our engineers.



800.925.5240
contechstormwater.com

©2008 CONTECH Stormwater Solutions

CONTECH Construction Products Inc. provides site solutions for the civil engineering industry. CONTECH's portfolio includes bridges, drainage, sanitary sewer, stormwater and earth stabilization products. For information on other CONTECH division offerings, visit contech-cpi.com or call 800.338.1122

Nothing in this catalog should be construed as an expressed warranty or an implied warranty of merchantability or fitness for any particular purpose. See the CONTECH standard quotation or acknowledgement for applicable warranties and other terms and conditions of sale.

The product(s) described may be protected by one or more of 6,641,720; 6,511,595; 6,649,048; 6,991,114; 6,998,038; 7,186,058; 7,296,692; 7,297,266; related foreign patents or other patents pending.

