

**STORM SEWER #667**  
**KRUG SOUTH ADDITION**  
**PHASE 3**

**LOT GRADING PLAN**

SHEET TITLE  
**468-84833**  
PROJECT NUMBER

SPE / DM / GJA  
DESIGNED DRAWN CHECKED

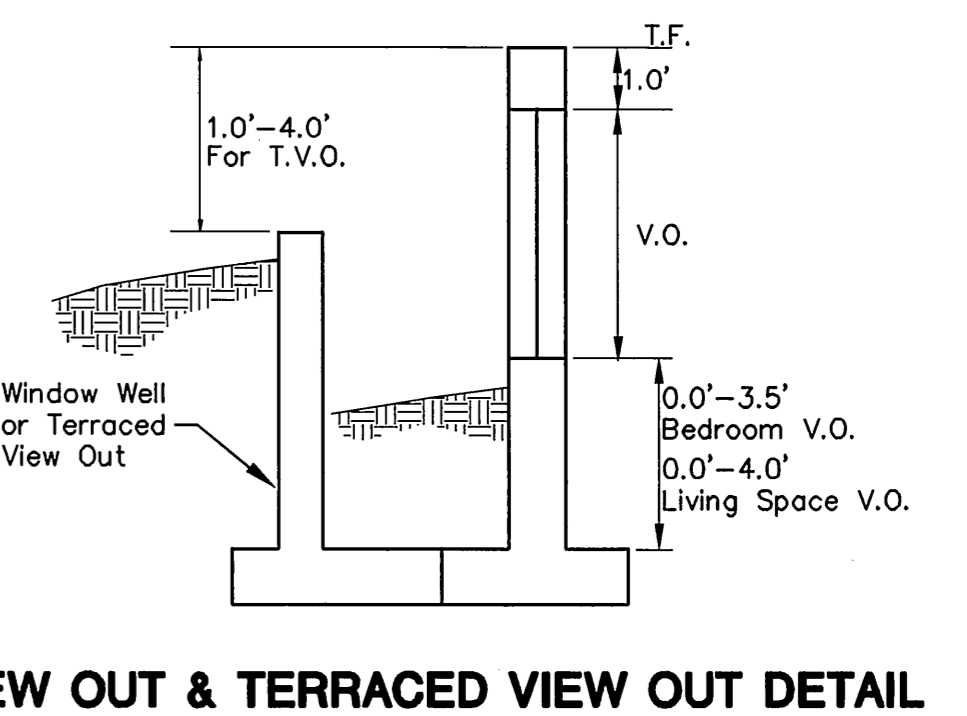
ISSUED  
**June 2012**

REVISED

SHEET NO.  
**19 of 22**

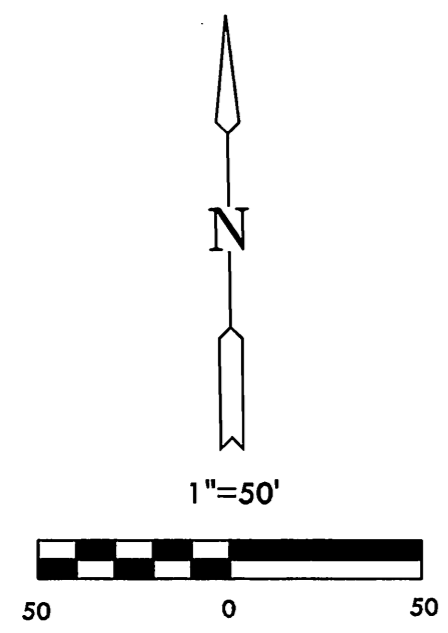
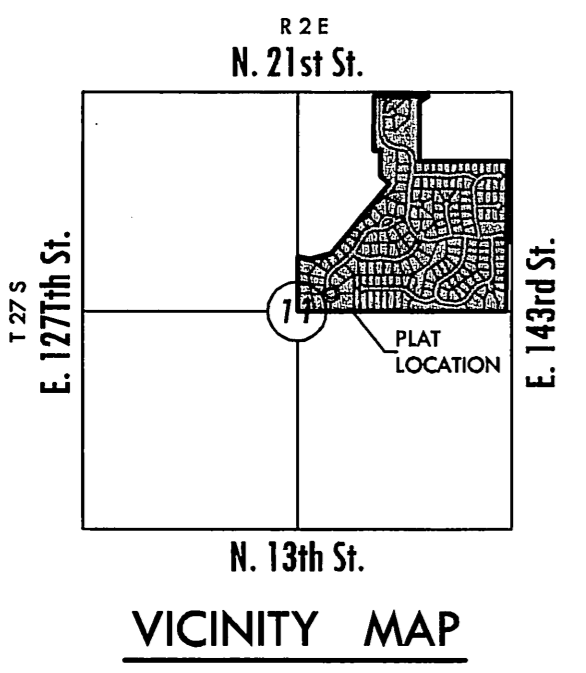
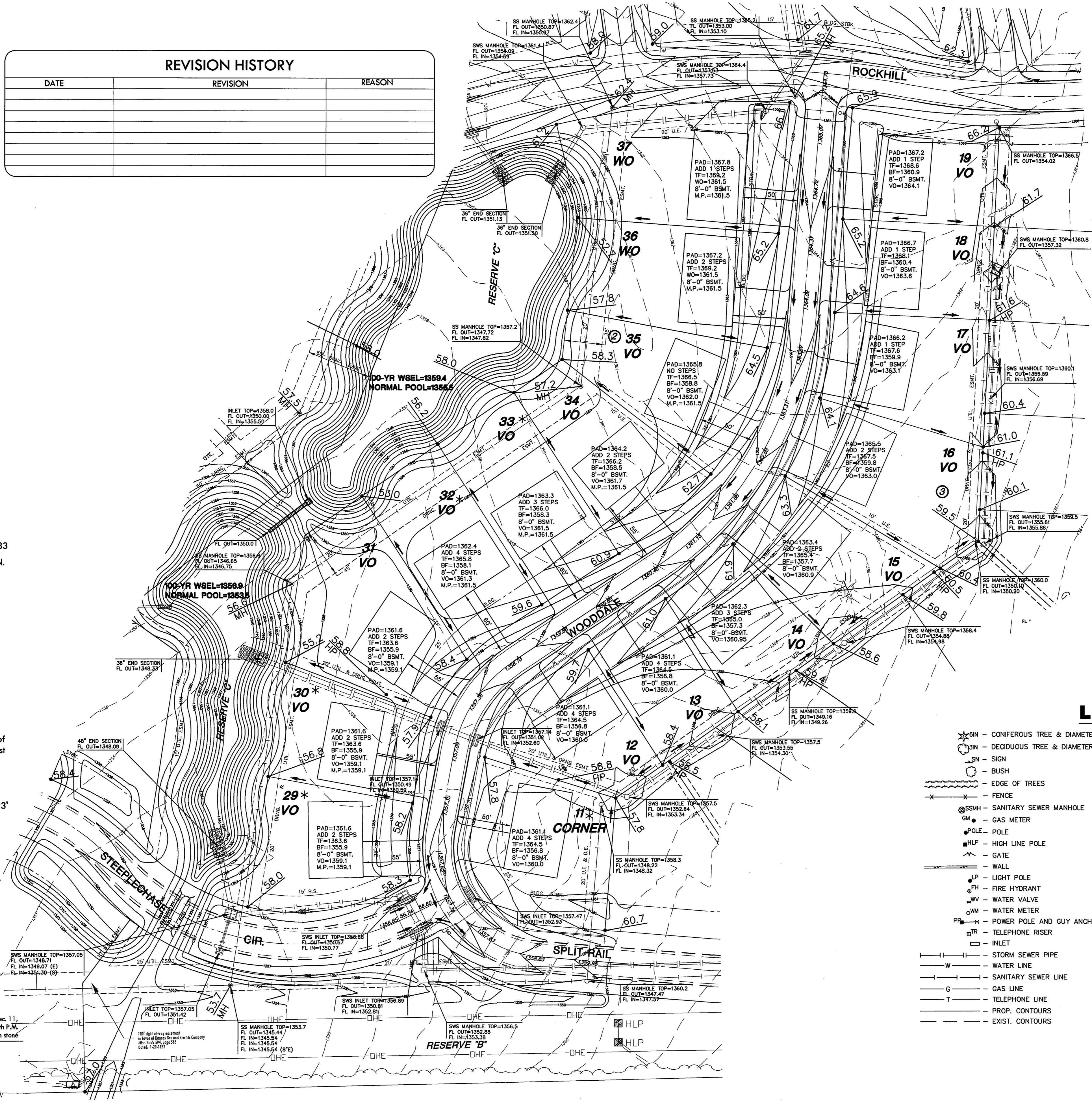
REVISION HISTORY		
DATE	REVISION	REASON

MINIMUM PAD ELEVATIONS LOWEST OPENINGS		
LOTS (inclusive)	BLOCK	ELEVATION NGVD
27 - 31	2	1359.1
40 & 41	2	1359.1
32 - 39	2	1361.5
52 - 58	2	1347.7
59	2	1348.0
60	2	1348.4
61	2	1348.9
62	2	1349.9
63	2	1350.7
64	2	1352.5
66 & 65	2	1354.2
68 - 72	2	1355.8



**LEGEND**

- GIN - CONIFEROUS TREE & DIAMETER
- GIN - DECIDUOUS TREE & DIAMETER
- SN - SIGN
- B - BUSH
- ET - EDGE OF TREES
- SSMH - SANITARY SEWER MANHOLE
- GM - GAS METER
- POLE - POLE
- HLP - HIGH LINE POLE
- W - WALL
- LP - LIGHT POLE
- PH - FIRE HYDRANT
- WV - WATER VALVE
- WM - WATER METER
- PP - POWER POLE AND GUY ANCHOR
- TR - TELEPHONE RISER
- INLET - INLET
- W - STORM SEWER PIPE
- W - WATER LINE
- G - SANITARY SEWER LINE
- G - GAS LINE
- T - TELEPHONE LINE
- PROP. CONTOURS - PROP. CONTOURS
- EXIST. CONTOURS - EXIST. CONTOURS
- UOE - UNDERGROUND ELECTRIC LINE
- OHT - OVERHEAD TELEPHONE
- OHE - OVERHEAD ELECTRIC
- FOC - UNDERGROUND FIBER OPTIC CABLE
- SC - SECTION CORNER
- FENCE - FENCE
- PCF - PROPERTY CORNER FOUND
- BM - BENCHMARK
- WO - WALKOUT
- VO - VIEWOUT
- TVO - TERRACED VIEWOUT
- TWO - TERRACED WALKOUT
- SP - SPOT ELEV.
- PROP. HOUSE ELEV. - PROP. HOUSE ELEV.
- EXIST. PLOT PLAN HOUSE ELEV. - EXIST. PLOT PLAN HOUSE ELEV.
- MP - MINIMUM PAD
- BF - BASEMENT FLOOR
- TF - TOP OF FOUNDATION
- PAD - GARAGE PAD



Basis of Bearings: Kansas coordinate system 1983  
south zone bearing of N88°37'33"E along the N.  
Line of NE. 1/4, Sec. 11 T27S, R2E, 6th P.M.

**BENCH MARKS**

- Datum BM: [Symbol] at NE corner of inlet on S. side of Williamsgate over bridge in Hawthorne Addition. Elev. = 1355.74 (NGVD 29)
- BM#1: [Symbol] RR spike in S. face of PP, 3rd PP W. of 143rd St. (799' from CL) S. side of 21st St. (49' from CL) Elev. = 1362.17 (NGVD 29)
- BM#2: [Symbol] FH NE bolt w/ tag on top of flange, W. side of 143rd St. NW of drive. (23' from CL) Elev. = 1382.81 (NGVD 29)