

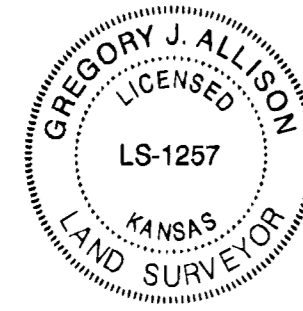
FINAL PLAT HAMPTON SQUARE SECOND ADDITION AN ADDITION TO WICHITA, SEDGWICK COUNTY, KANSAS

CERTIFICATE OF SURVEY

I, Gregory J. Allison, a registered land surveyor in Kansas, do hereby certify that I have been in responsible charge of surveying and platting of "HAMPTON SQUARE SECOND ADDITION", an addition to Wichita, Sedgwick County, Kansas, into Lots, Blocks, Reserves, and Streets, the same being accurately set forth in the accompanying plat and described herein:

A replat of Lots 1, 2, 3, 4, 5, 7, 8, and 9, Block 1, Hampton Square Addition, Wichita, Sedgwick County, Kansas. All easements, rights-of-way, building setbacks, and access controls, together with all other public dedications within the above described property, are hereby vacated and replatted by virtue of K.S.A. 12-512(b).

I hereby certify that the details of this plat are correct to the best of my knowledge and belief this ____ day of _____, 2011.



Gregory J. Allison, PE, LS #1257
MKEC Engineering Consultants, Inc.
411 North Webb Road
Wichita, Kansas 67206

OWNER'S CERTIFICATE

Know all men by these presents that the undersigned property owner of the land above set forth in the Registered Land Surveyor's Certificate, has caused the same to be surveyed and platted into Lots, Blocks, Reserves, and Streets the same to be known as "HAMPTON SQUARE SECOND ADDITION," an addition to Wichita, Sedgwick County, Kansas.

Easements for the construction and maintenance of public sidewalks, utilities and drainage, as indicated on the accompanying plat are hereby granted to the public.

The streets are hereby dedicated to and for the use of the public.

All abutters rights of access to or from Maize Road over and across the east line of "HAMPTON SQUARE SECOND ADDITION," are hereby granted to the appropriate governing body, as indicated hereon. All abutters rights of access to or from 37th Street over and across the south line of "HAMPTON SQUARE SECOND ADDITION," are hereby granted to the appropriate governing body, as indicated hereon.

Reserves "A", "B", "C", "D", and "E" are platted for landscaping, irrigation, berming, monuments, signs, water features, and utilities confined by easement(s) or rights-of-way. Reserve "E" is also platted for the drainage. Reserve "F" is platted for drainage, landscaping, irrigation, monuments, and utilities confined by easement(s) or rights-of-way. The Reserves shall be owned and maintained by the owner(s)/developer, and/or their successors, assigns, and/or a Lot Owner's Association.

A drainage plan has been developed for this plat. All drainage easements, rights-of-way, or reserves shall remain at established grades or as modified with the approval of the applicable City or County Engineer, and unobstructed to allow for the conveyance of stormwater. Lots 3 and 5, Block 1, Lots 1, 2, 3, 4, 5, 6, 7, 8, and 9, Block 2, are required to adhere to the minimum pad elevations as depicted herein the "Minimum Pad Elevations" table.

This plat shall conform to the recitals of Community Unit Plan DP-262.

Hampton Square, LLC, a Kansas limited liability company

_____, manager
Marvin L. Schellenberg, manager
Hampton Square LLC, a Kansas limited liability company

STATE OF KANSAS, SEDGWICK COUNTY) ss:

This instrument was acknowledged before me on ____ day of _____, 2011, by Marvin L. Schellenberg, manager of Hampton Square LLC, a Kansas limited liability company.

IN WITNESS WHEREOF, I have hereunto set my hand and affixed my official seal, the day and year last above written.

Notary Public
Notary Public: _____
My Term Expires: _____
SW. cor., SE 1/4, Sec. 30,
T26S, R1W, 6th P.M.
Fnd. 1 1/2" Pipe

MORTGAGE CERTIFICATE

LEGACY Bank, holder of a mortgage on a portion of the above described property, does hereby consent to the plat of "HAMPTON SQUARE SECOND ADDITION."

Legacy Bank

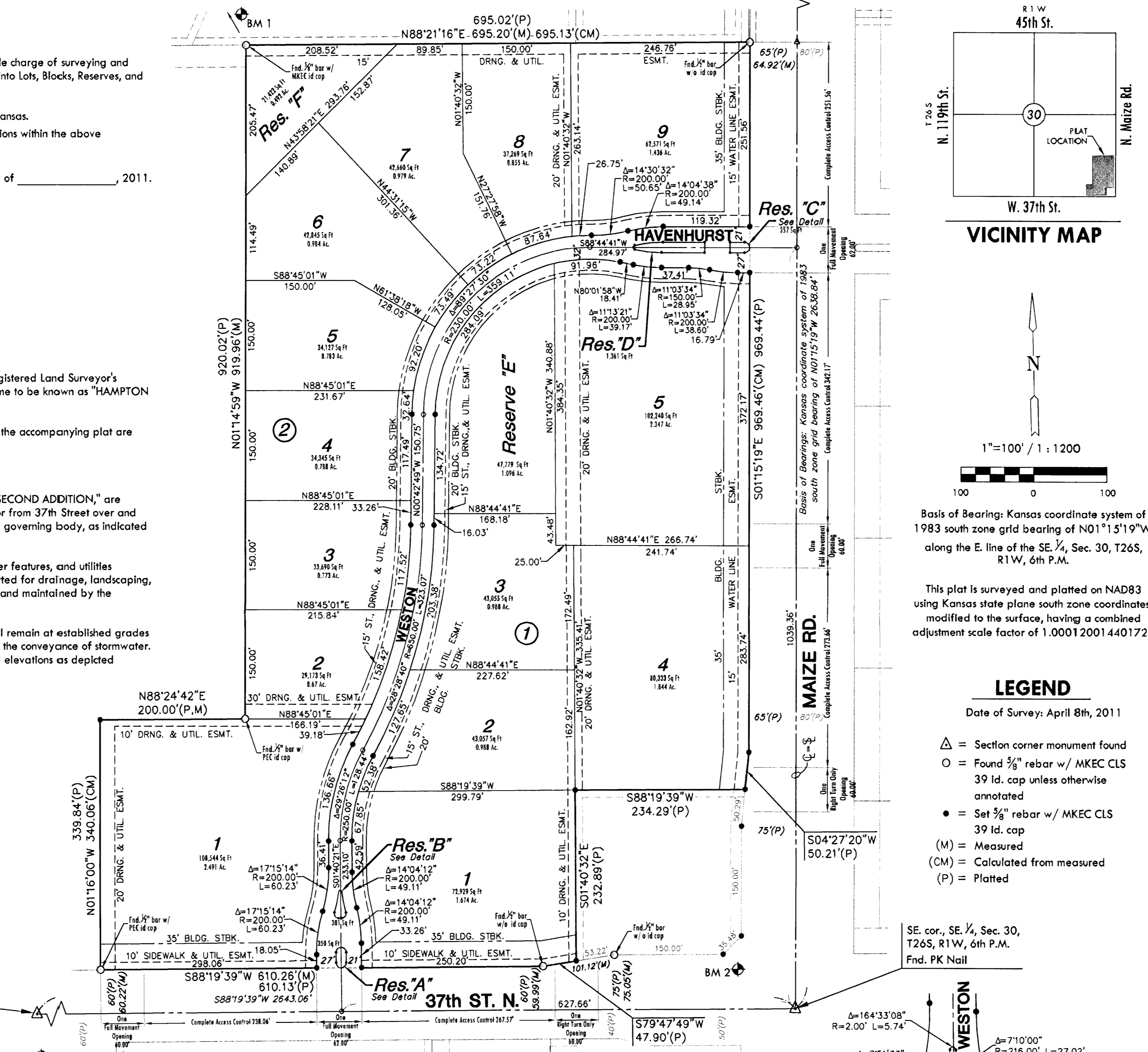
_____, Executive Vice President
Brad Yaeger, Executive Vice President

This instrument was acknowledged before me on this ____ day of _____, 2011, by Brad Yaeger, Executive Vice President, Legacy Bank.

IN WITNESS WHEREOF, I have hereunto set my hand and affixed my official seal, the day and year last above written.

Notary Public
Notary Public: _____
My Term Expires: _____

FINAL TRACING REC'D 5-18-11

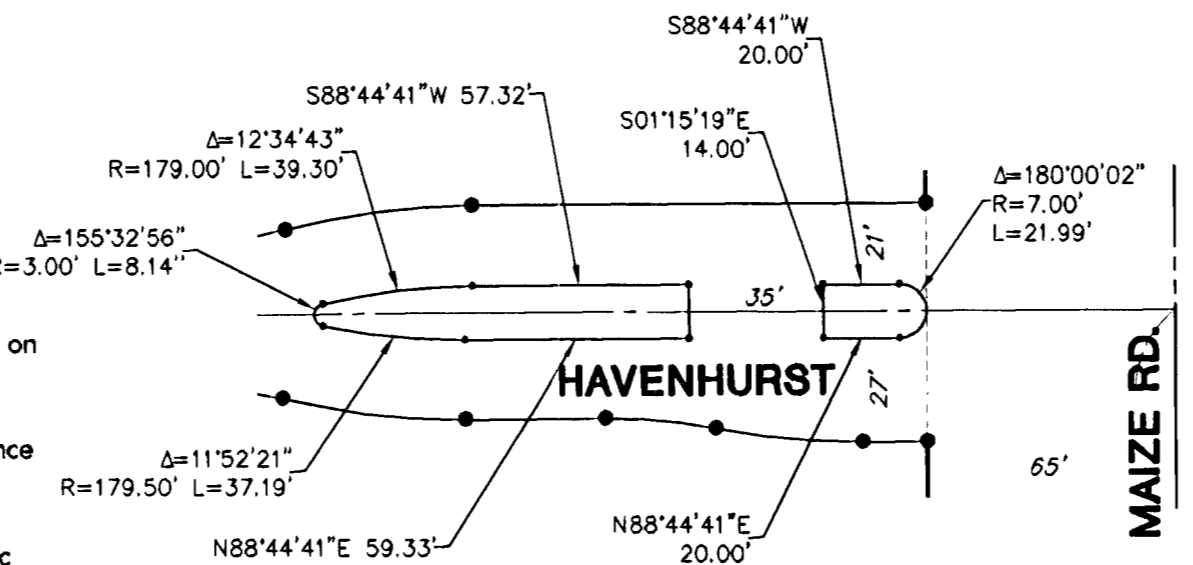


MINIMUM PAD ELEVATIONS LOWEST OPENINGS			
LOTS (inclusive)	BLOCK	ELEVATION NAVD 88	
3 & 5	1	1359.5	
1 - 9	2	1359.5	

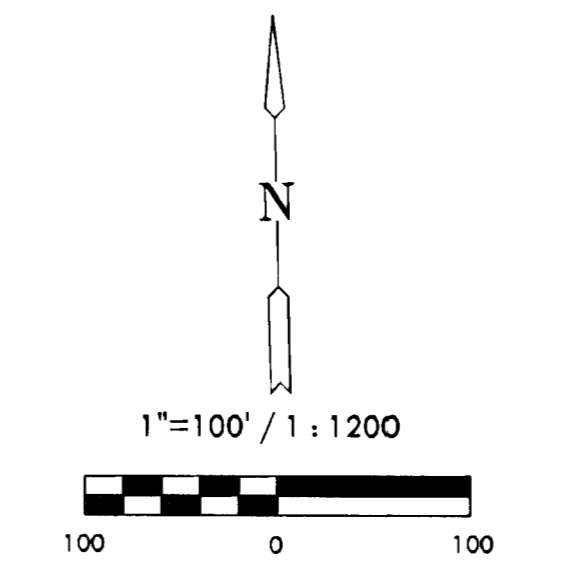
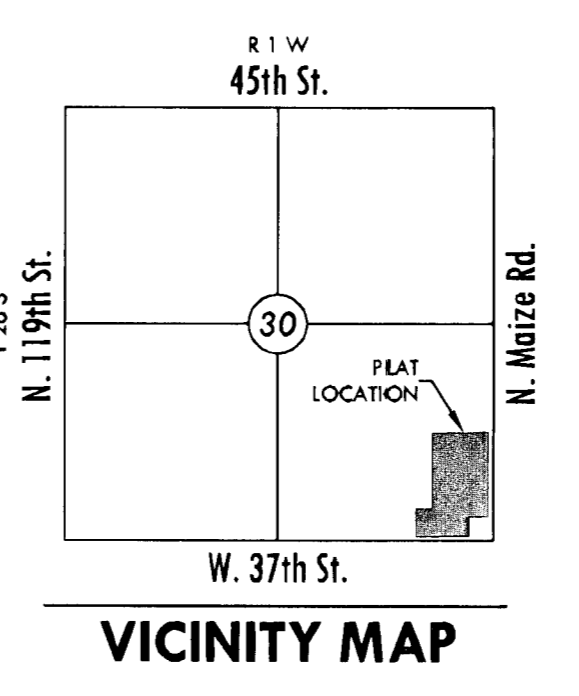
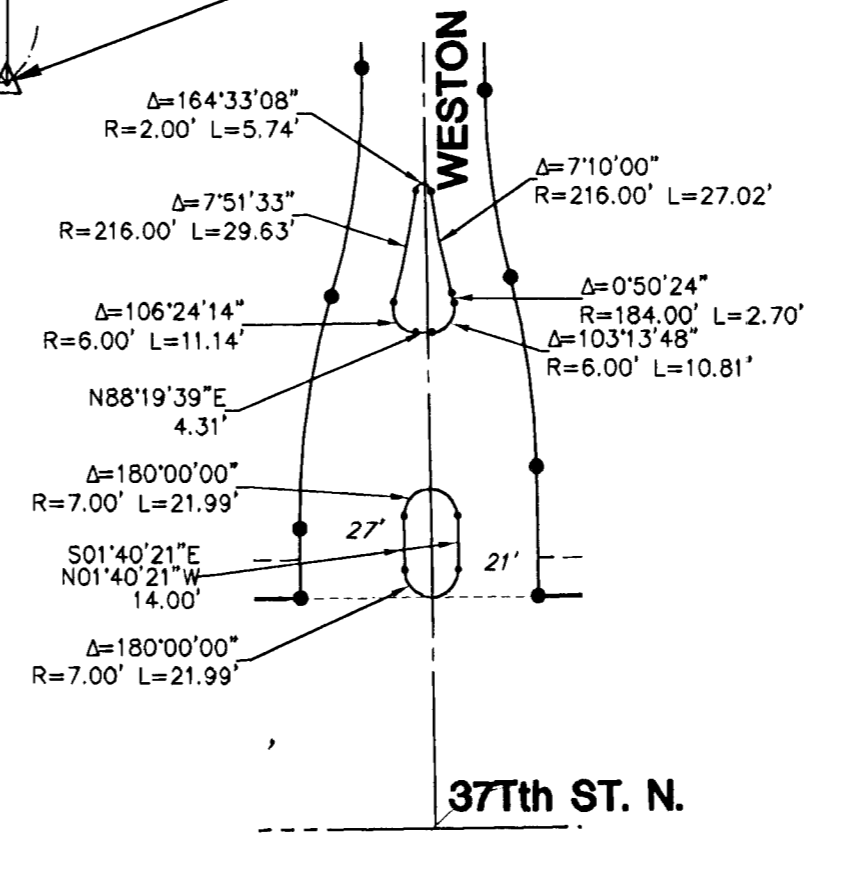
BENCH MARKS

- BM 21-0 Chiseled square on concrete base of brick fence post on south side of 37th St. 1.573 feet west of Maize Rd. Elev. = 1356.01 NAVD 88
- BM 1 Chiseled square on top of curb at south end of entrance Island at Hampton Lakes St. and Manchester St. Elev. = 1357.69 NAVD 88
- BM 2 Chiseled square at northwest corner of pad for traffic signal manhole at northwest corner of Maize Rd. and 37th St. Elev. = 1354.49 NAVD 88

RESERVES "C" & "D" DETAIL



RESERVES "A" & "B" DETAIL



- ### LEGEND
- Date of Survey: April 8th, 2011
- △ Section corner monument found
 - Found 5/8" rebar w/ MKEC CLS 39 id. cap unless otherwise annotated
 - Set 5/8" rebar w/ MKEC CLS 39 id. cap
 - (M) = Measured
 - (CM) = Calculated from measured
 - (P) = Platted

PLANNING COMMISSION CERTIFICATE

This plat of "HAMPTON SQUARE SECOND ADDITION" has been submitted to and approved by the Wichita-Sedgwick County Metropolitan Area Planning Commission, Wichita, Kansas.

Dated this ____ day of _____, 2011

WICHITA-SEDGWICK COUNTY METROPOLITAN AREA PLANNING COMMISSION

_____, Chair
Debra Miller Stevens, Chair
Attest: _____, Secretary
John L. Schlegel, Secretary

GOVERNING BODY CERTIFICATE

The dedications shown on this plat are hereby accepted and this plat is hereby approved by the governing body of the City of Wichita, Kansas.

Dated this ____ day of _____, 2011

At the direction of the City Council.
_____, Mayor
Carl Brewer, Mayor
Attest: _____, City Clerk
Karen Sublett, City Clerk

TRANSFER RECORD

STATE OF KANSAS, SEDGWICK COUNTY) ss:
Entered on transfer record this ____ day of _____, 2011
_____, County Clerk
Kelly B. Arnold, County Clerk

REGISTER OF DEEDS CERTIFICATE

STATE OF KANSAS, SEDGWICK COUNTY) ss:
This is to certify that this instrument was filed for record in the Register of Deeds office this day of _____, 2011, at _____ o'clock ____ M; and is duly recorded.

_____, Register of Deeds
Bill Meek, Register of Deeds
Attest: _____, Deputy
Tonya E. Buckingham, Deputy

COUNTY SURVEYOR

STATE OF KANSAS, SEDGWICK COUNTY) ss:
Reviewed in accordance with K.S.A. 58-2005 on this ____ day of _____, 2011.
_____, Deputy County Surveyor
Tricia L. Robello, LS #1246
Deputy County Surveyor
Sedgwick County, Kansas

