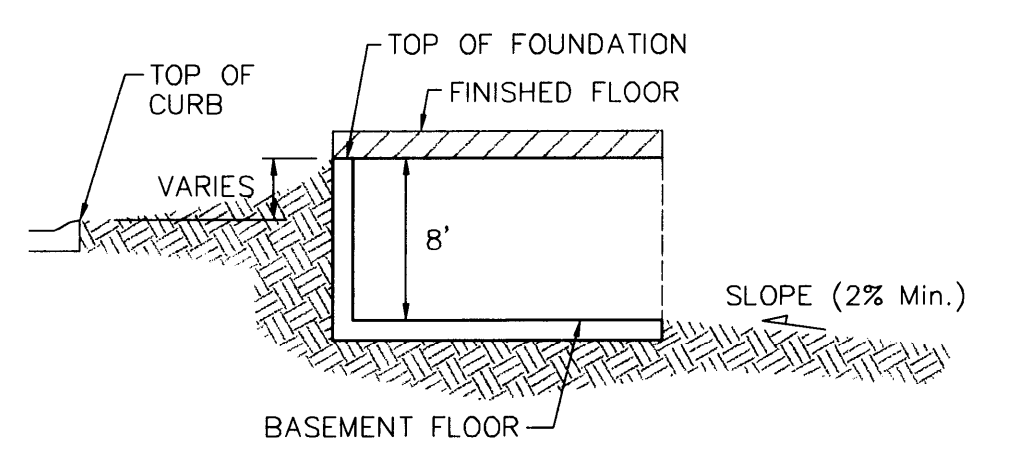
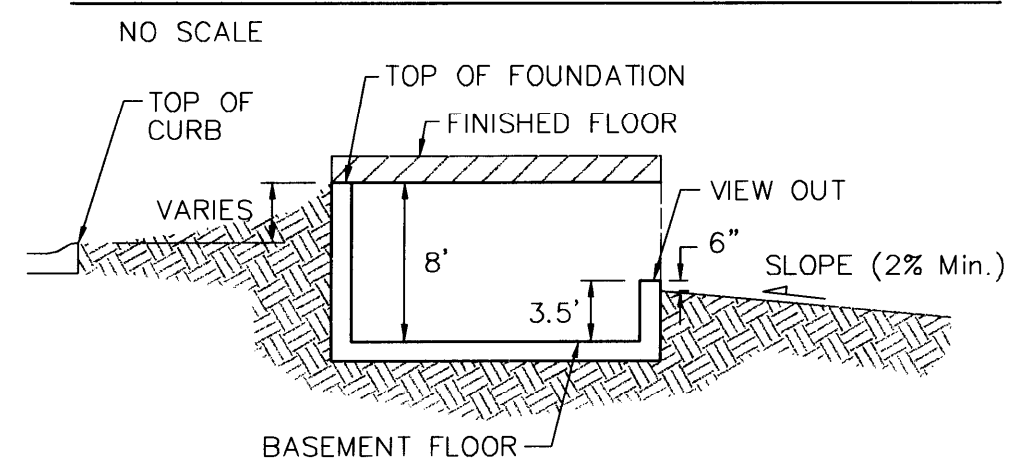


BENCHMARK:
 CROSS CUT ON NORTH END OF WEST HEADWALL
 137.5' SOUTH & 12' WEST OF THE INTERSECTION
 OF 29TH ST N & 12TH ST E.
 ELEV. = 1382.45 NAVD88

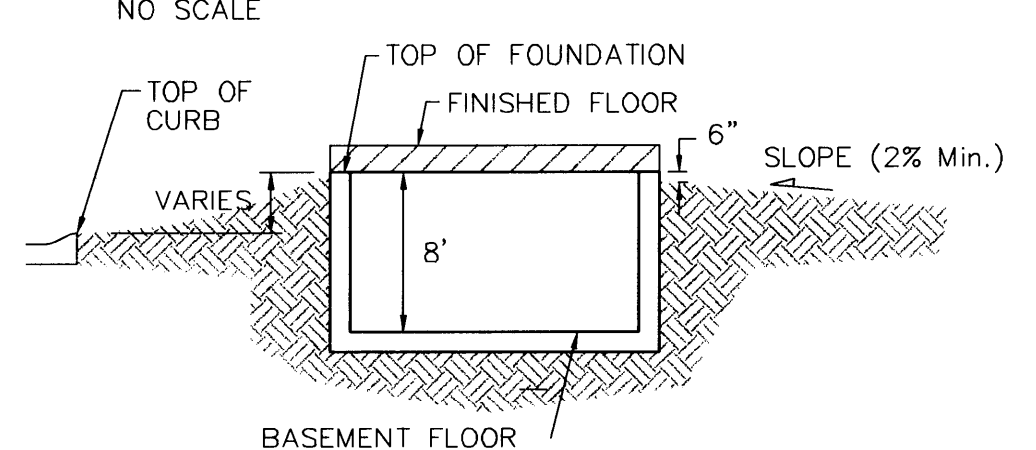
-----XXXX----- EXISTING CONTOUR



TYPICAL WALK OUT DETAIL



TYPICAL VIEW OUT DETAIL



TYPICAL NON-VIEW OUT DETAIL

NO SCALE

NOTES:

1. PROPOSED TOP OF FOUNDATION ELEVATIONS ARE SHOWN ON PLANS. CONTRACTOR TO SET FINISHED FLOOR AND GARAGE FLOOR ELEVATIONS. ALL STREET ELEVATIONS SHOWN ON PLANS ARE FOR TOP OF CURB (FULL-HEIGHT).
2. THIS GRADING PLAN IS DESIGNED WITH VIEW-OUTS AND WALK-OUTS. ELEVATIONS SHOWN AS XX.X V.O. DEPICT VIEW-OUT STRUCTURES. ELEVATIONS SHOWN AS XX.X W.O. DEPICT WALK-OUT STRUCTURES.
3. ALL LOTS SHALL MEET MINIMUM PAD REQUIREMENT AS SHOWN ON THE RECORDED PLAT.
4. LOT DIMENSIONS HAVE BEEN OMITTED ON THIS PLAN. REFER TO THE RECORDED PLAT FOR FINAL DIMENSION, EASEMENT, & BUILDING SETBACK INFORMATION.

5. HOUSE PAD ELEVATIONS DEPICTED WITH BOLD OUTLINES AND NOTED WITH THIS SYMBOL INDICATE THAT DEEP FOOTINGS OR DEEP FOUNDATIONS MAY BE REQUIRED.
6. A DRAINAGE PLAN HAS BEEN DEVELOPED FOR THIS SUBDIVISION AND IS ON FILE WITH THE CITY OF WICHITA, KANSAS. DRAINAGE INTENT SHALL REMAIN AS DEPICTED OR AS MODIFIED WITH THE APPROVAL OF THE CITY ENGINEER OF THE CITY OF WICHITA, KANSAS. NO OBSTRUCTIONS WHICH IMPEDE THE FLOW OF THIS DRAINAGE PLAN SHALL BE ALLOWED.
7. ALL ELEVATIONS SHOWN ARE IN NAVD88 DATUM.
8. ADDITIONAL STEPS SHOWN ARE IN ADDITION TO STANDARD 3 STEPS (7" TALL) FROM GARAGE FLOOR TO FINISHED FLOOR.

**Min. Pad Table per Certificate of Correction, Doc.#/Plat-#Pg. 29312378*

LOT	BLOCK	ELEVATION
6-8, 18	B	1386.0
10-21	D	1388.0
23-29	D	1388.0
40-43	D	1388.0



Baughman WOODS NORTH 3RD ADDITION
SUBDIVISION GRADING PLAN
 WICHITA, KANSAS

Baughman Company, P.A. 315 Ellis St. Wichita, KS 67211 P 316-2627271 F 316-2625149
 ENGINEERING | SURVEYING | PLANNING | LANDSCAPE ARCHITECTURE

PROJECT NUMBER	DESIGN AEG/TRK	DRAWN TMS
REVISIONS:	APPROVED 17919	DATE 01/12
	8/27/12	
	SCALE Noted	SHEET

1 OF 2

E:\Projects\Woods North 3rd_11-12-P847\Engineering\Grade 6-12.dwg 1-12-P847