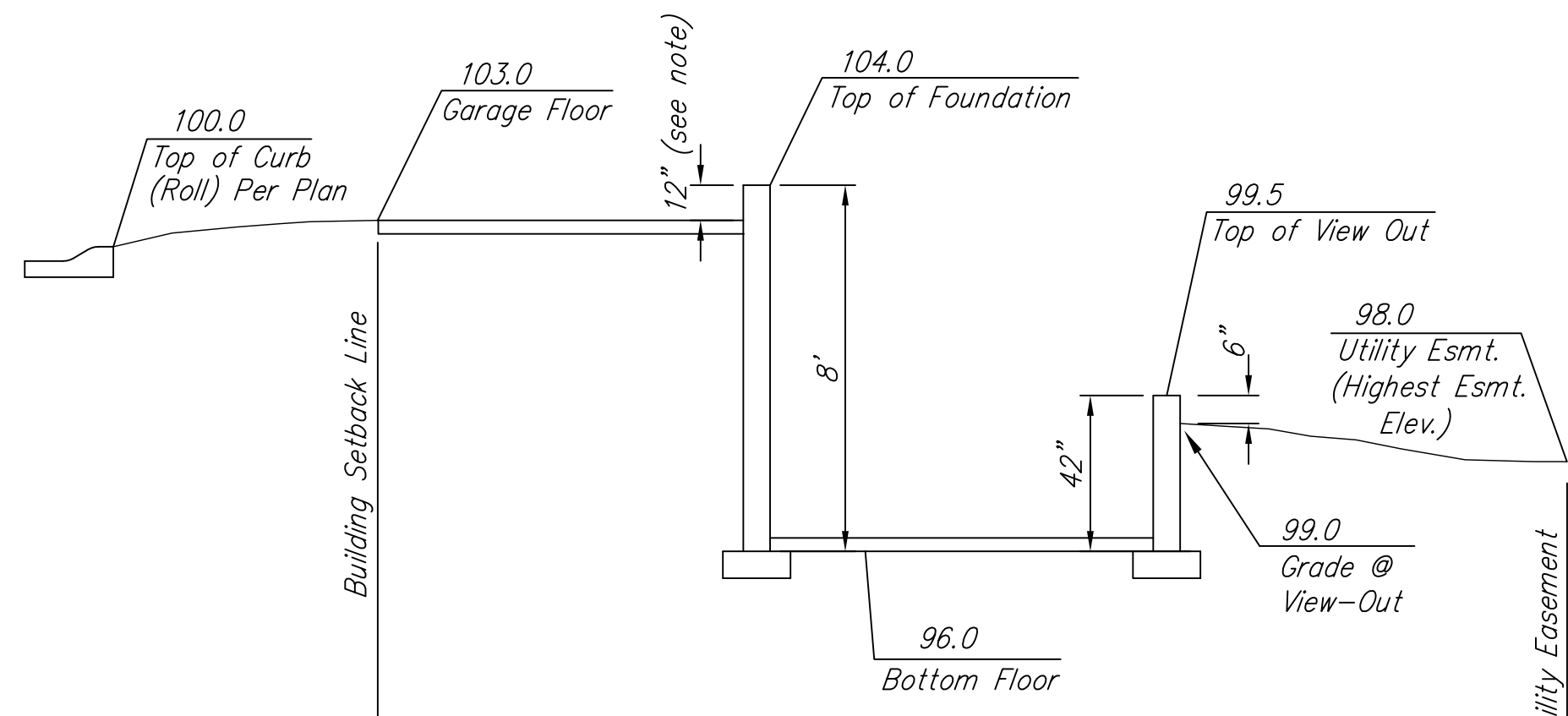


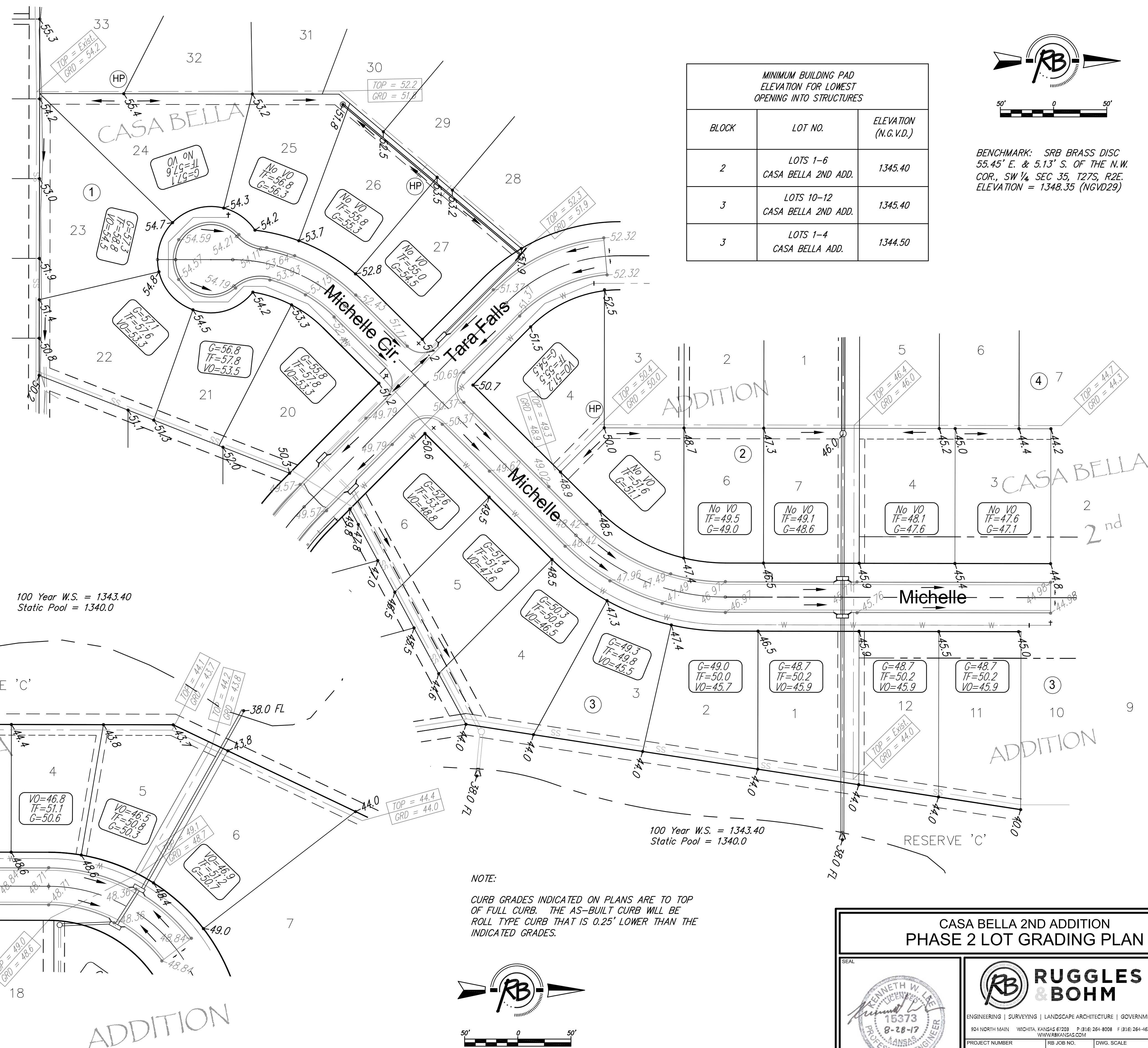
* Varies (Check Individual Lot)

Section Through Typical Full Basement

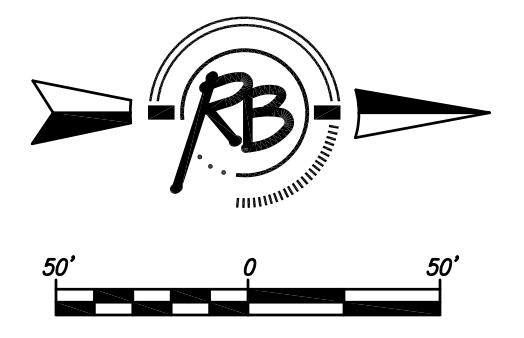


* Varies (Check Individual Lot)

Section Through Typical View-Out Lot

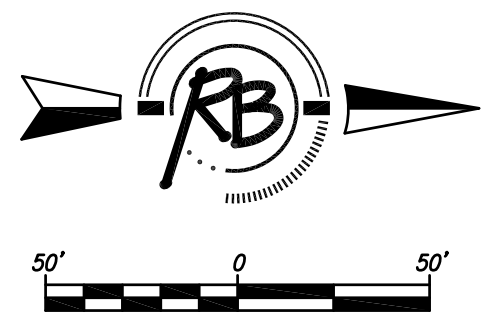


MINIMUM BUILDING PAD ELEVATION FOR LOWEST OPENING INTO STRUCTURES		
BLOCK	LOT NO.	ELEVATION (N.G.V.D.)
2	LOTS 1-6 CASA BELLA 2ND ADD.	1345.40
3	LOTS 10-12 CASA BELLA 2ND ADD.	1345.40
3	LOTS 1-4 CASA BELLA ADD.	1344.50



BENCHMARK: SRB BRASS DISC
55.45' E. & 5.13' S. OF THE N.W.
COR., SW 1/4 SEC 35, T27S, R2E.
ELEVATION = 1348.35 (NGVD29)

NOTE:
CURB GRADES INDICATED ON PLANS ARE TO TOP OF FULL CURB. THE AS-BUILT CURB WILL BE ROLL TYPE CURB THAT IS 0.25' LOWER THAN THE INDICATED GRADES.



CASA BELLA 2ND ADDITION PHASE 2 LOT GRADING PLAN		DATE Apr. 26, 2013
		DESIGN
RUGGLES & BOHM		DRAWN
ENGINEERING SURVEYING LANDSCAPE ARCHITECTURE GOVERNMENT		REVIEW
PROJECT NUMBER 8-28-17	RB JOB NO.	DWG. SCALE
DRAWING FILE		SHEET 1 OF 1