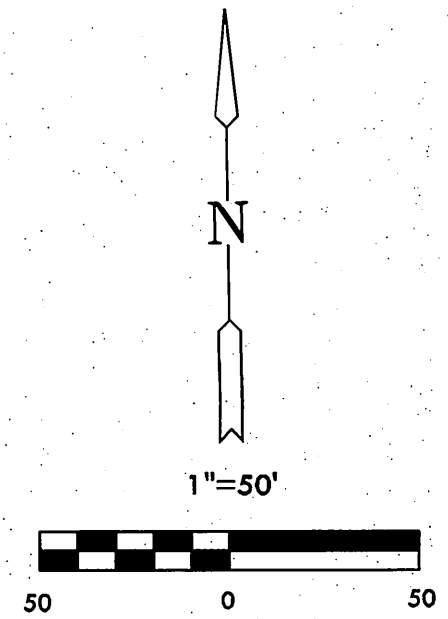
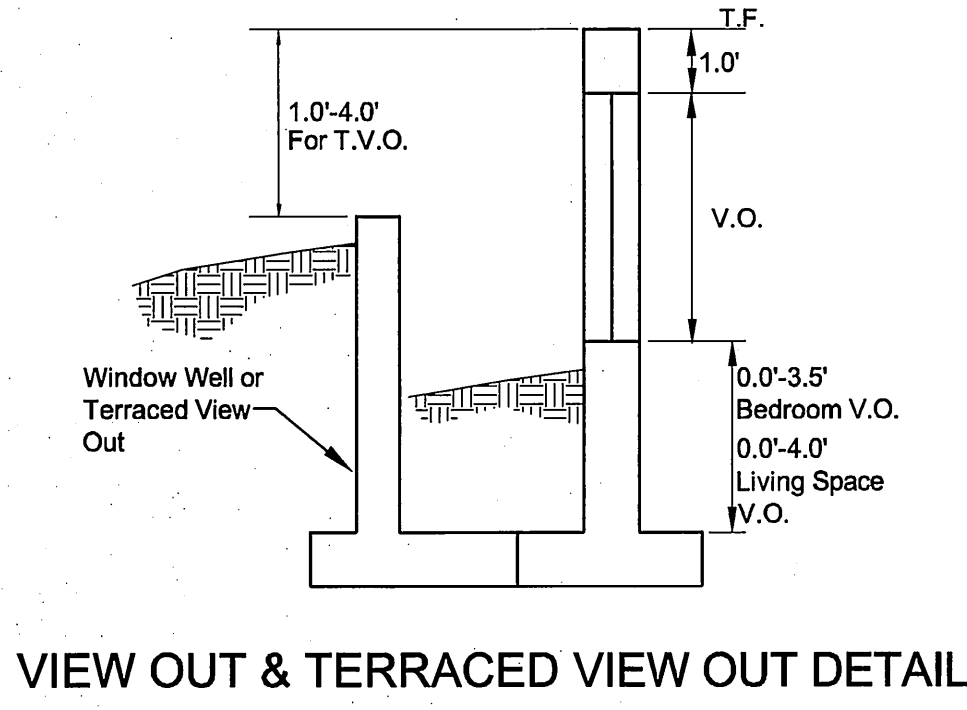
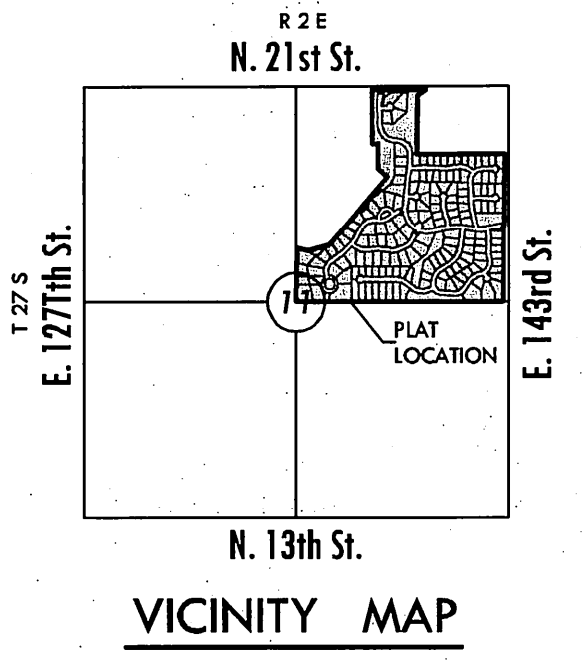


©2013  
MKEC Engineering  
All Rights Reserved  
www.mkec.com  
These drawings and their contents, including but not limited to, all concepts, designs, & labels are the exclusive property of MKEC Engineering (MKEC), and may not be used or reproduced in any way without the express consent of MKEC.

**LOT GRADING**

PROJECT NO.	05291	
DATE	FEB 2014	
SCALE	AS SHOWN	
DESIGNED	DRAWN	CHECKED
KLA	DM	GJA
NO.	REVISION	DATE

DATE	REVISION	REASON



Basis of Bearings: Kansas coordinate system 1983  
south zone bearing of N88°37'33"E along the N.  
Line of NE. 1/4, Sec. 11 T27S, R2E, 6th P.M.

**BENCH MARKS**

- Datum BM at NE corner of inlet on S. side of Williamsgate over bridge in Hawthorne Addition. Elev. = 1355.74 (NGVD 29)
- BM#1 RR spike in S. face of PP, 3rd PP W. of 143rd St. (799' from CL) S. side of 21st St. (49' from CL). Elev. = 1362.17 (NGVD 29)
- BM#2 FH NE bolt w/ tag on top of flange, W. side of 143rd St. NW of drive. (23' from CL). Elev. = 1382.81 (NGVD 29)

**LEGEND**

- 6IN - CONIFEROUS TREE & DIAMETER
- 3IN - DECIDUOUS TREE & DIAMETER
- SN - SIGN
- BUSH
- EDGE OF TREES
- FENCE
- SSMH - SANITARY SEWER MANHOLE
- GM - GAS METER
- P - POLE
- HLP - HIGH LINE POLE
- V - VALVE
- WM - WATER METER
- P/A - POWER POLE AND GUY ANCHOR
- LP - LIGHT POLE
- FH - FIRE HYDRANT
- W - WATER VALVE
- WM - WATER METER
- P/A - POWER POLE AND GUY ANCHOR
- T - TELEPHONE RISER
- I - INLET
- S - STORM SEWER PIPE
- W - WATER LINE
- S - SANITARY SEWER LINE
- G - GAS LINE
- T - TELEPHONE LINE
- PROP. CONTOURS
- EXIST. CONTOURS
- UGE - UNDERGROUND ELECTRIC LINE
- OHT - OVERHEAD TELEPHONE
- OHE - OVERHEAD ELECTRIC
- FOC - UNDERGROUND FIBER OPTIC CABLE
- SECTION CORNER
- PROPERTY CORNER FOUND
- B.M. - BENCHMARK
- W.O. - WALKOUT
- V.O. - VIEWOUT
- T.V.O. - TERRACED VIEWOUT
- T.W.O. - TERRACED WALKOUT
- \* - MAY REQUIRE THICKER FOOTING AND/OR ENGINEERED FILL UNDER FOOTINGS
- S.E. - SPOT ELEV.
- P.A.D. - PROP. HOUSE ELEV.
- E.P.H.E. - EXIST. PLOT PLAN HOUSE ELEV.
- M.P. - MINIMUM PAD
- B.F. - BASEMENT FLOOR
- T.F. - TOP OF FOUNDATION
- P.A.D. - GARAGE PAD

