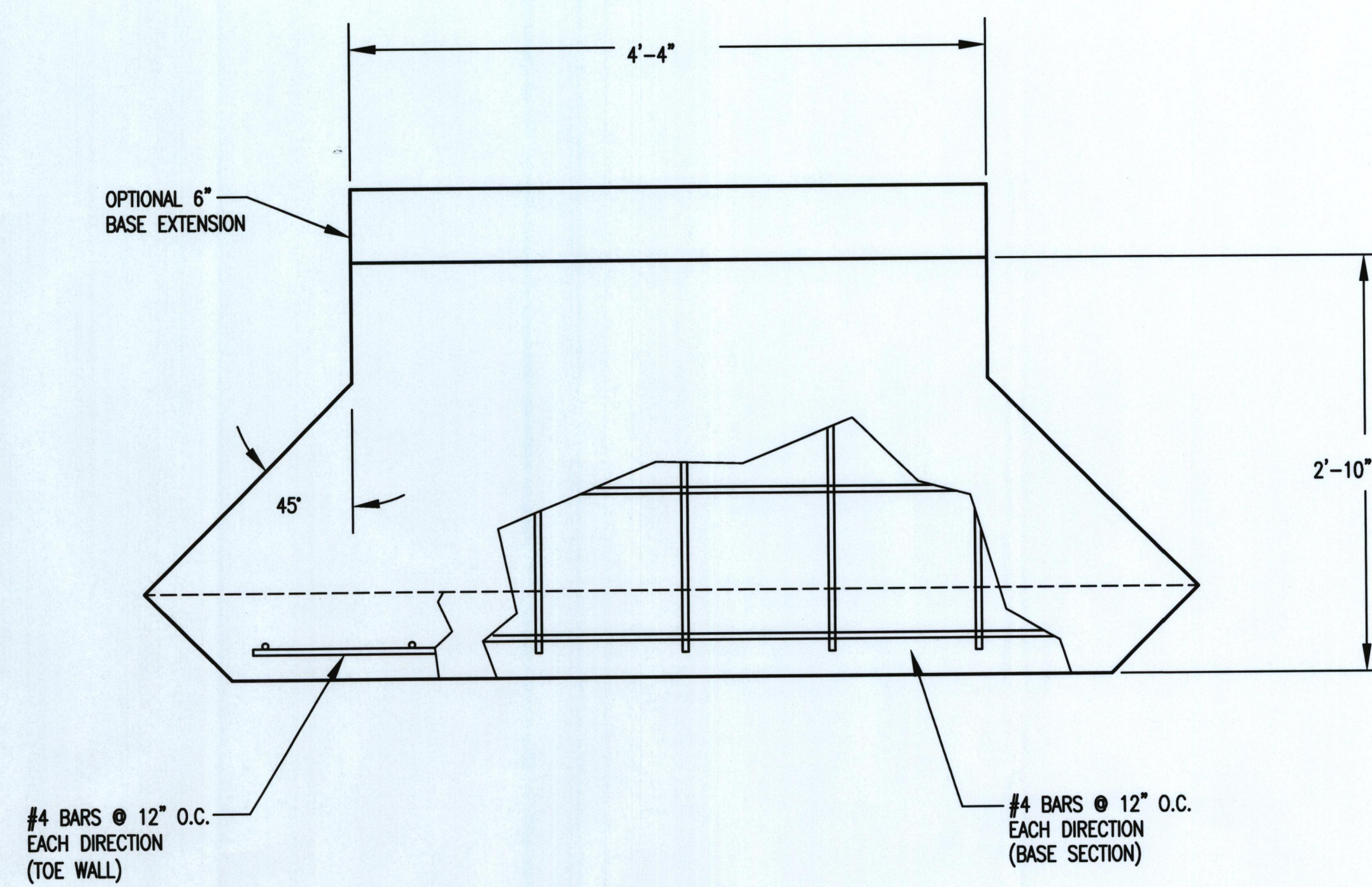
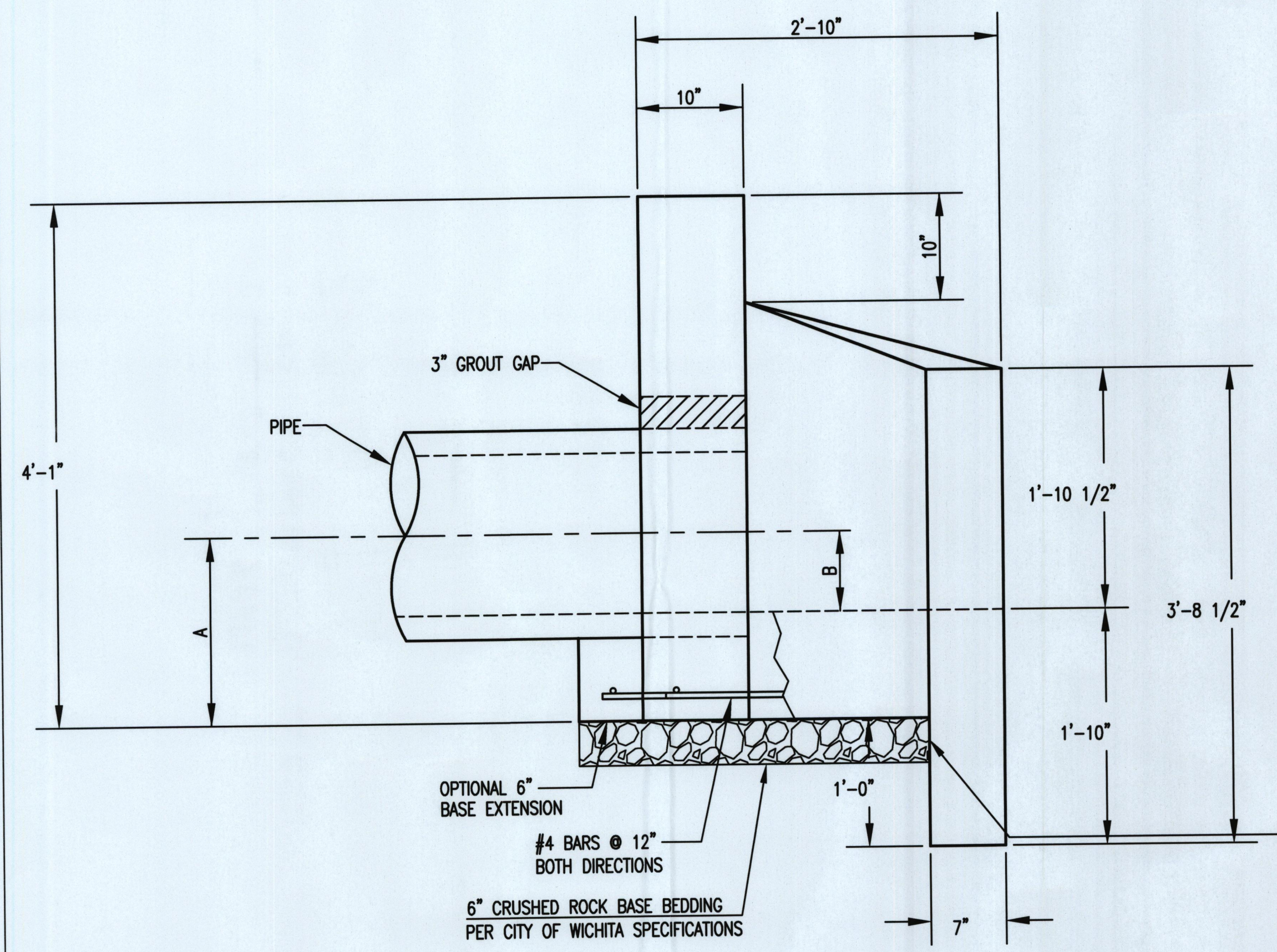


PLAN VIEW

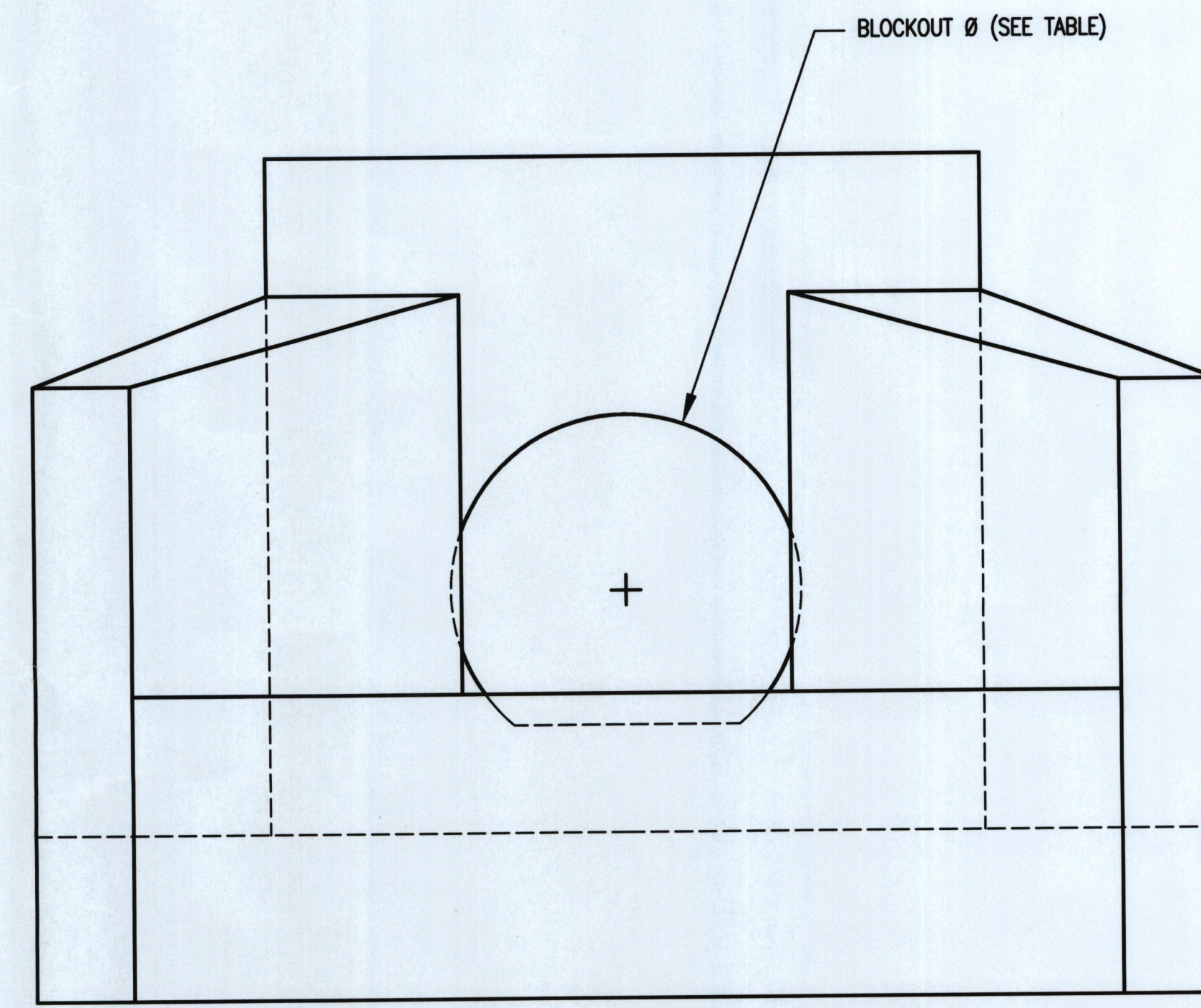


PLAN VIEW
BASE

PIPE Ø	A	B	BLOCKOUT Ø
15"	1'-5 1/2"	7 1/2"	2'-1 1/2"
18"	1'-7"	9"	2'-5"
24"	1'-10"	1'-0"	3'-0"



ELEVATION



FRONT VIEW

HEADWALLS, AS SHOWN, WILL NOT SUPPORT FLAP GATE.

<p>CITY OF WICHITA PUBLIC WORKS & UTILITIES ENGINEERING DIVISION</p>	<p>HEADWALL DETAILS FOR 15", 18", AND 24" PIPE</p>		
	<p>CITY ENGINEER GARY JANZEN, P.E.</p>		
	<p>PROJECT NUMBER</p>	<p>OCA NUMBER</p>	<p>DATE 11/2010</p>
<p>CITY ENGINEER'S OFFICE CITY HALL - SEVENTH FLOOR 455 NORTH MAIN STREET WICHITA, KANSAS 67202-1620 (316) 268-4501</p>			<p>SHEET</p>