

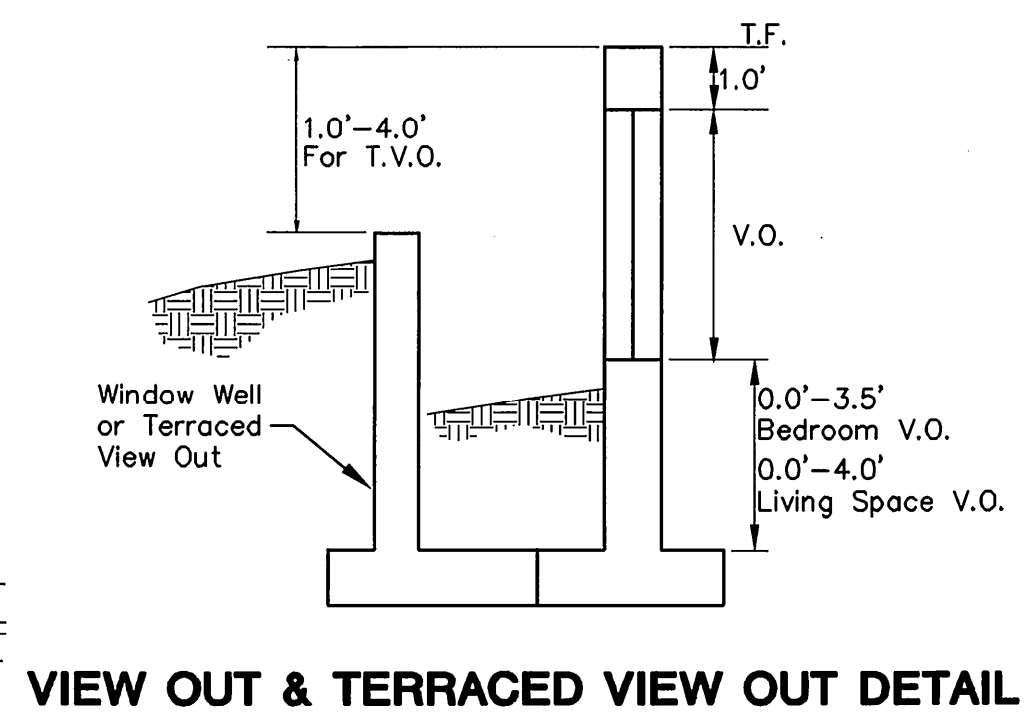
PAVING PLANS
KRUG SOUTH ADDITION
PHASE 2

MINIMUM PAD ELEVATIONS
LOWEST OPENINGS

LOTS (inclusive)	BLOCK	ELEVATION NGVD
26	1	1359.7
27	1	1359.7
28 and 29	1	1362.1
70, 71, 72	2	1355.8

MINIMUM PAD ELEVATIONS
LOWEST OPENINGS

LOTS (inclusive)	BLOCK	ELEVATION NGVD
27 - 32	2	1360.9
40 & 41	2	1360.9
33 - 39	2	1361.7
52 - 58	2	1347.7
59	2	1348.0
60	2	1348.4
61	2	1348.9
62	2	1349.9
63	2	1350.7
64	2	1352.5
66 & 65	2	1354.2
68 - 72	2	1355.8



REVISION HISTORY

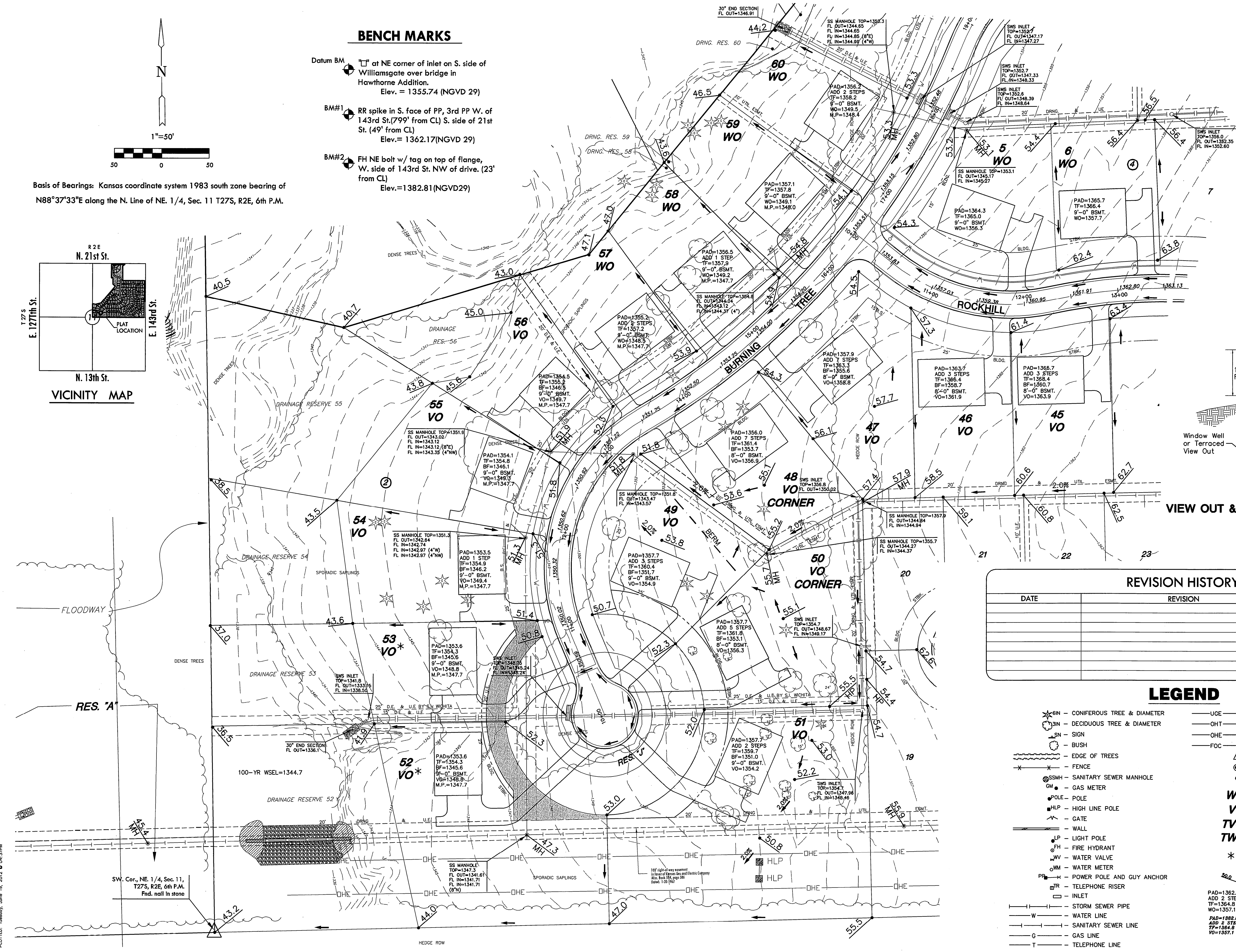
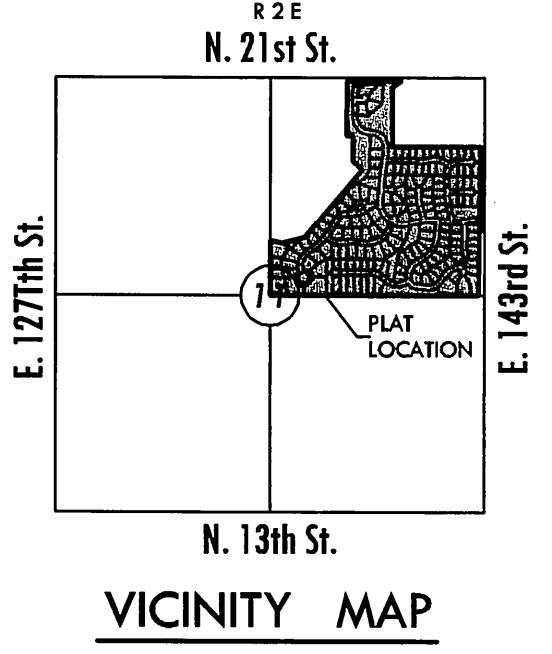
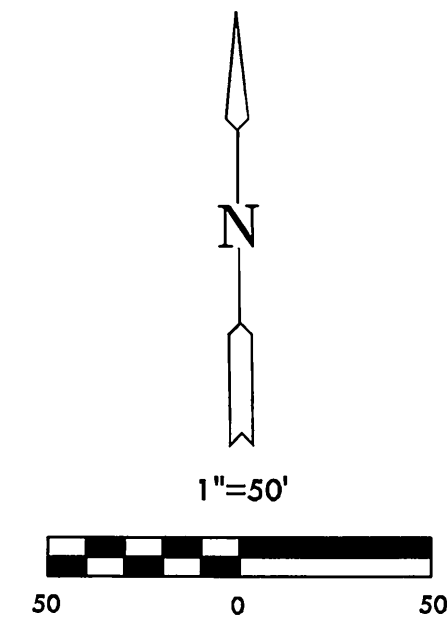
DATE	REVISION	REASON

- LEGEND**
- GIN - CONIFEROUS TREE & DIAMETER
 - BDN - DECIDUOUS TREE & DIAMETER
 - SN - SIGN
 - B - BUSH
 - ET - EDGE OF TREES
 - F - FENCE
 - SSMH - SANITARY SEWER MANHOLE
 - GM - GAS METER
 - POLE - POLE
 - HLP - HIGH LINE POLE
 - WP - WATER VALVE
 - WM - WATER METER
 - PPA - POWER POLE AND GUY ANCHOR
 - TR - TELEPHONE RISER
 - I - INLET
 - SS - STORM SEWER PIPE
 - W - WATER LINE
 - SSW - SANITARY SEWER LINE
 - G - GAS LINE
 - T - TELEPHONE LINE
 - UGE - UNDERGROUND ELECTRIC LINE
 - OHT - OVERHEAD TELEPHONE
 - OHE - OVERHEAD ELECTRIC
 - FOC - UNDERGROUND FIBER OPTIC CABLE
 - SC - SECTION CORNER
 - PCF - PROPERTY CORNER FOUND
 - BM - BENCHMARK
 - WO - WALKOUT
 - VO - VIEWOUT
 - TVO - TERRACED VIEWOUT
 - TWO - TERRACED WALKOUT
 - * - MAY REQUIRE THICKER FOOTING AND/OR ENGINEERED FILL UNDER FOOTINGS
 - SP - SPOT ELEV.
 - PROP. HOUSE ELEV.
 - EXIST. PLOT PLAN HOUSE ELEV.

BENCH MARKS

- Datum BM: \square at NE corner of inlet on S. side of Williamsgate over bridge in Hawthorne Addition. Elev. = 1355.74 (NGVD 29)
- BM#1: RR spike in S. face of PP, 3rd PP W. of 143rd St. (799' from CL) S. side of 21st St. (49' from CL). Elev. = 1362.17 (NGVD 29)
- BM#2: FH NE bolt w/ tag on top of flange, W. side of 143rd St. NW of drive. (23' from CL). Elev. = 1382.81 (NGVD 29)

Basis of Bearings: Kansas coordinate system 1983 south zone bearing of N88°37'33"E along the N. Line of NE. 1/4, Sec. 11 T27S, R2E, 6th P.M.



PLOTTED: February, June 15, 2012 @ 04:37PM

J:\CIVIL\05291\DWG\GRAD\PH2\05291 - GRAD.DWG

LOT GRADING PLAN

SHEET TITLE
PROJ 472-84522
PROJECT NUMBER

SPE / DM / GJA
DESIGNED DRAWN CHECKED

ISSUED
April 2012

REVISED

SHEET NO.
16 of 28