

BENCHMARKS:
RR spike in asphalt, SW COR, N1/2, SW1/4, Sec. 34, TWP. 26-S, R-2-E. Elev. = 1400.59 NAVD88
RR spike in E. face of power pole, 174'± N. of S. line, N1/2, SW1/4 & 49'± E. of W. line, SW1/4, Sec. 34, TWP. 26-S, R-2-E. Elev. = 1398.64 NAVD88
RR spike in S. face of power pole, 294'± S. of N. line, SW1/4, & 48'± E. of W. line, SW1/4, Sec. 34, TWP. 26-S, R-2-E. Elev. = 1386.14 NAVD88

MINIMUM BUILDING PAD ELEVATIONS FOR LOWEST OPENING TO THE STRUCTURES

LOT	BLOCK	ELEVATION NAVD88
15-19	A	1376.0
20-22	A	1375.5
23-25	A	1375.0
5-7	F	1377.0
26-28		
36-37	F	1372.8
43-45		
47-51		
52-61		
62	F	1372.5
63-66	F	1370.8
67-71	F	1372.0
72-73	F	1372.7
79-80	F	1373.0
81-84	F	1373.5

- NOTES:**
1. PROPOSED TOP OF FOUNDATION ELEVATIONS ARE SHOWN ON PLANS. CONTRACTOR TO SET FINISHED FLOOR AND GARAGE FLOOR ELEVATIONS. ALL STREET ELEVATIONS SHOWN ON PLANS ARE FOR TOP OF CURB (FULL-HEIGHT).
 2. THIS GRADING PLAN IS DESIGNED WITH VIEW-OUTS AND WALK-OUTS. ELEVATIONS SHOWN AS XX.X V.O. DEPICT VIEW-OUT STRUCTURES. ELEVATIONS SHOWN AS XX.X W.O. DEPICT WALK-OUT STRUCTURES.
 3. ALL LOTS SHALL MEET OR EXCEED MINIMUM PAD REQUIREMENT AS SHOWN ON THE RECORDED PLAT.
 4. LOT DIMENSIONS HAVE BEEN OMITTED ON THIS PLAN. REFER TO THE RECORDED PLAT FOR FINAL DIMENSION, EASEMENT, & BUILDING SETBACK INFORMATION.
 5. A DRAINAGE PLAN HAS BEEN DEVELOPED FOR THIS SUBDIVISION AND IS ON FILE WITH THE CITY OF WICHITA, KANSAS. DRAINAGE INTENT SHALL REMAIN AS DEPICTED OR AS MODIFIED WITH THE APPROVAL OF THE CITY ENGINEER OF THE CITY OF WICHITA, KANSAS. NO OBSTRUCTIONS WHICH IMPEDE THE FLOW OF THIS DRAINAGE PLAN SHALL BE ALLOWED.
 6. ALL ELEVATIONS SHOWN ARE NAVD88 DATUM.

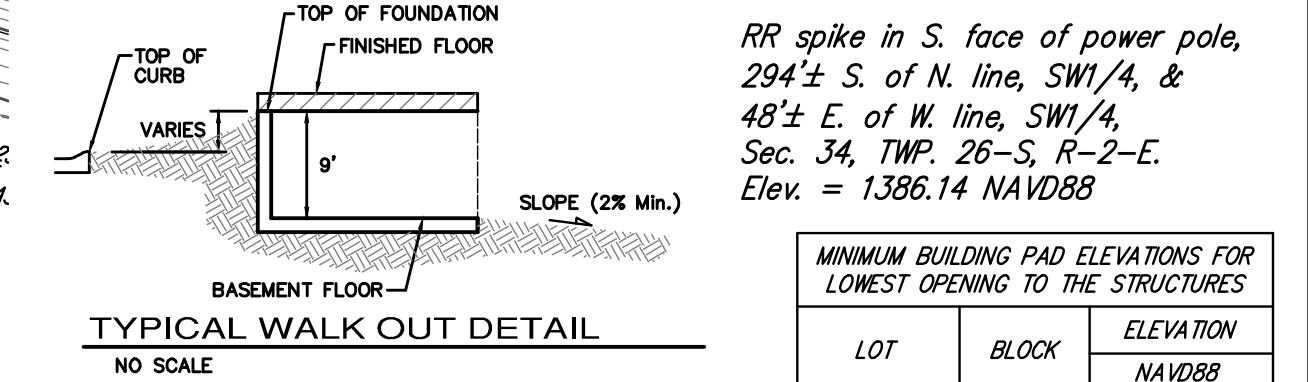
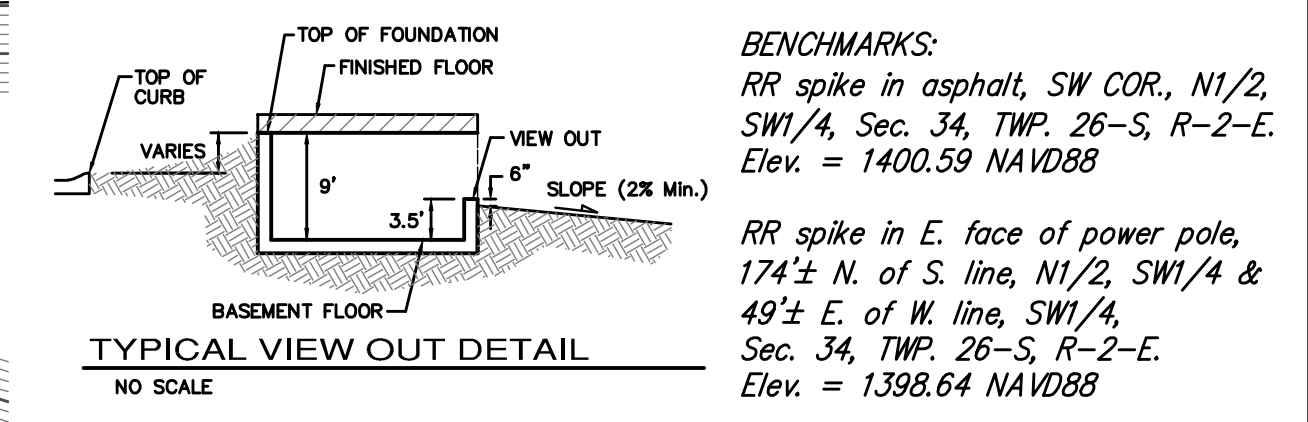
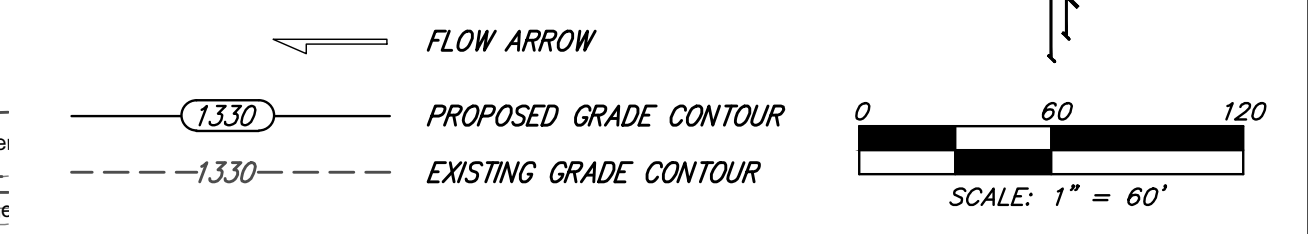
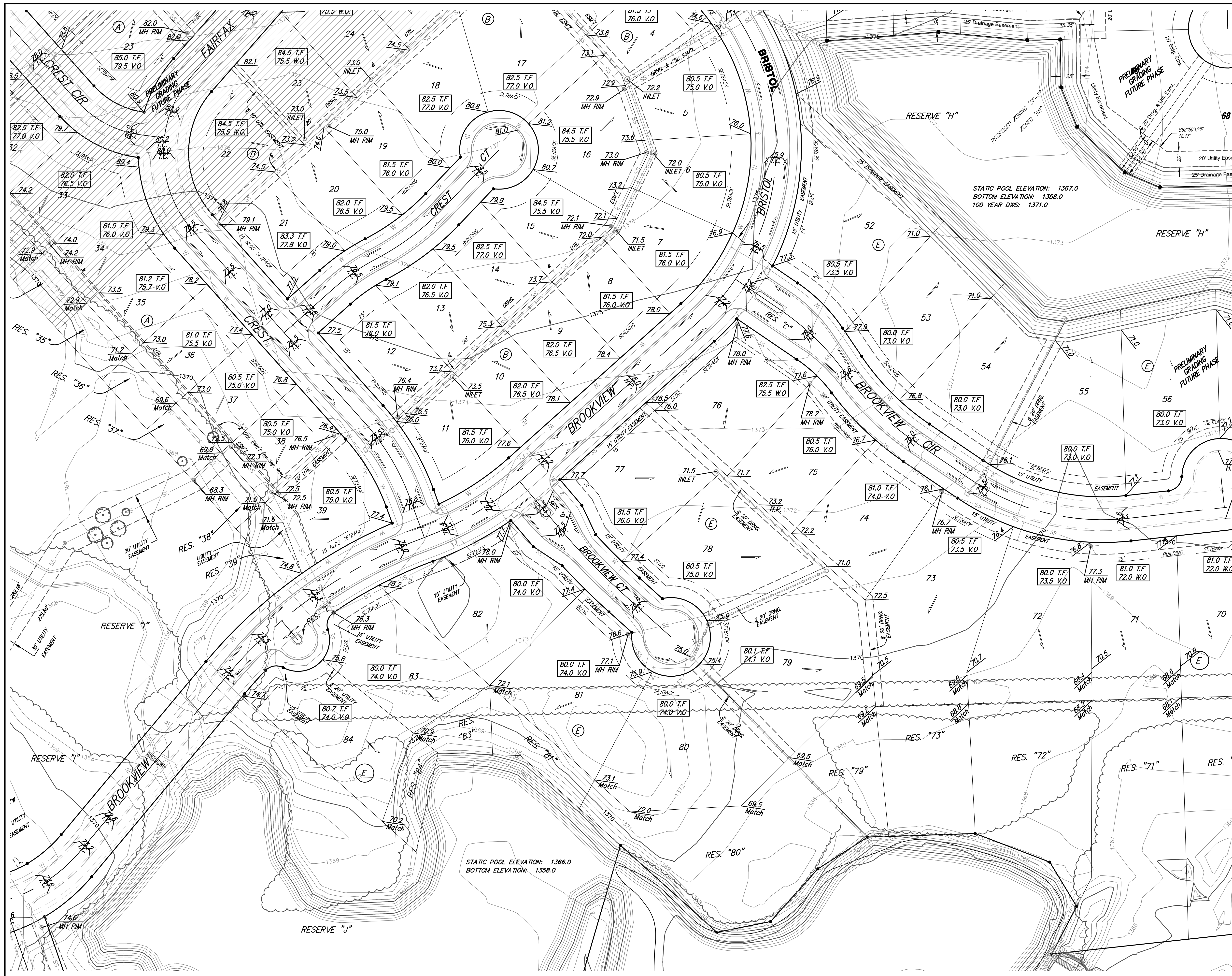


Baughman Brookfield Addition Subdivision Grading Plan
Wichita, Kansas

Baughman Company, P.A. 315 Ellis St. Wichita, KS 67211 P 316-262-7271 F 316-262-0149
ENGINEERING | SURVEYING | PLANNING | LANDSCAPE ARCHITECTURE

PROJECT NUMBER	DESIGN AEG	DRAWN JAK
REVISIONS:	APPROVED	DATE 9/26/17
	SCALE 1" = 60'	SHEET

1 OF 2

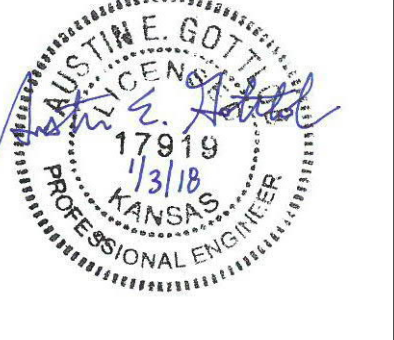


BENCHMARKS:
 RR spike in asphalt, SW COR., N1/2, SW1/4, Sec. 34, TWP. 26-S, R-2-E. Elev. = 1400.59 NAVD88
 RR spike in E. face of power pole, 174± N. of S. line, N1/2, SW1/4 & 49± E. of W. line, SW1/4, Sec. 34, TWP. 26-S, R-2-E. Elev. = 1398.64 NAVD88
 RR spike in S. face of power pole, 294± S. of N. line, SW1/4, & 48± E. of W. line, SW1/4, Sec. 34, TWP. 26-S, R-2-E. Elev. = 1386.14 NAVD88

MINIMUM BUILDING PAD ELEVATIONS FOR LOWEST OPENING TO THE STRUCTURES

LOT	BLOCK	ELEVATION NAVD88
15-19	A	1376.0
20-22	A	1375.5
23-25	A	1375.0
5-7	F	1377.0
26-28		
36-37		
43-45		
47-51	F	1372.8
52-61		
62	F	1372.5
63-66	F	1370.8
67-71	F	1372.0
72-73	F	1372.7
79-80	F	1373.0
81-84	F	1373.5

- NOTES:**
- PROPOSED TOP OF FOUNDATION ELEVATIONS ARE SHOWN ON PLANS. CONTRACTOR TO SET FINISHED FLOOR AND GARAGE FLOOR ELEVATIONS. ALL STREET ELEVATIONS SHOWN ON PLANS ARE FOR TOP OF CURB (FULL-HEIGHT).
 - THIS GRADING PLAN IS DESIGNED WITH VIEW-OUTS AND WALK-OUTS. ELEVATIONS SHOWN AS XX.X V.O. DEPICT WALK-OUT STRUCTURES. ELEVATIONS SHOWN AS XX.X W.O. DEPICT WALK-OUT STRUCTURES.
 - ALL LOTS SHALL MEET OR EXCEED MINIMUM PAD REQUIREMENT AS SHOWN ON THE RECORDED PLAT.
 - LOT DIMENSIONS HAVE BEEN OMITTED ON THIS PLAN. REFER TO THE RECORDED PLAT FOR FINAL DIMENSION, EASEMENT, & BUILDING SETBACK INFORMATION.
 - A DRAINAGE PLAN HAS BEEN DEVELOPED FOR THIS SUBDIVISION AND IS ON FILE WITH THE CITY OF WICHITA, KANSAS. DRAINAGE INTENT SHALL REMAIN AS DEPICTED OR AS MODIFIED WITH THE APPROVAL OF THE CITY ENGINEER OF THE CITY OF WICHITA, KANSAS. NO OBSTRUCTIONS WHICH IMPEDE THE FLOW OF THIS DRAINAGE PLAN SHALL BE ALLOWED.
 - ALL ELEVATIONS SHOWN ARE NAVD88 DATUM.



Baughman Brookfield Addition
 Subdivision
 Grading Plan
 Wichita, Kansas

Baughman Company, P.A. 315 Ellis St. Wichita, KS 67211 P 316-262-7271 F 316-262-0149
 ENGINEERING | SURVEYING | PLANNING | LANDSCAPE ARCHITECTURE

PROJECT NUMBER	DESIGN	DRAWN
	AEG	JAK
REVISIONS:	APPROVED	DATE
		9/26/17
	SCALE	
	1" = 60'	
	SHEET	
		2 OF 2

E:\GRADE\Brookfield\GRADE.dwg