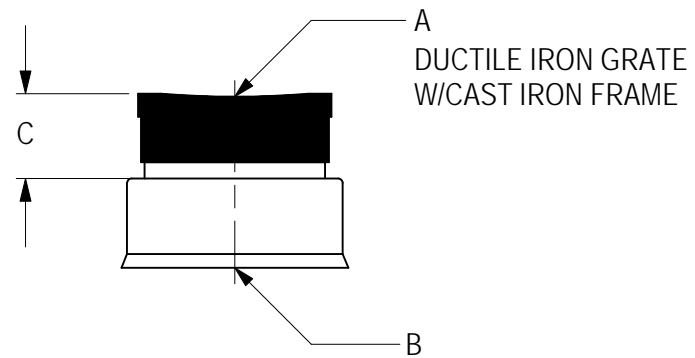


12X4
12X6
12X8
12X10


VARIOUS TYPES OF OUTLETS
WITH WATERTIGHT ADAPTERS
FOR:
ADS N-12
SDR-35 SEWER
SCHEDULE 40 DWV
CORRUGATED PVC
RIBBED PVC



12X12

VARIOUS TYPES OF OUTLETS
WITH WATERTIGHT ADAPTERS
FOR:
ADS N-12
SDR-35 SEWER
SCHEDULE 40 DWV
CORRUGATED PVC
RIBBED PVC

A	B	C
12"	4"	10.50
12"	6"	11.50
12"	8"	11.50
12"	10"	11.25
12"	12"	6.00

THIS PRINT DISCLOSES SUBJECT MATTER IN WHICH NYLOPLAST HAS PROPRIETARY RIGHTS. THE RECEIPT OR POSSESSION OF THIS PRINT DOES NOT CONFER, TRANSFER, OR LICENSE THE USE OF THE DESIGN OR TECHNICAL INFORMATION SHOWN HEREIN REPRODUCTION OF THIS PRINT OR ANY INFORMATION CONTAINED HEREIN, OR MANUFACTURE OF ANY ARTICLE HEREFROM, FOR THE DISCLOSURE TO OTHERS IS FORBIDDEN, EXCEPT BY SPECIFIC WRITTEN PERMISSION FROM NYLOPLAST.	DRAWN BY CJA	MATERIAL	 3130 VERONA AVE BUFORD, GA 30518 PHN (770) 932-2443 FAX (770) 932-2490 www.nyloplast-us.com
	DATE 6-25-99	PROJECT NO./NAME	
	APPD BY CJA	INLINE DRAIN	TITLE
	DATE 6-25-99	SCALE NTS SHEET 1 OF 1	7003-110-002 REV B