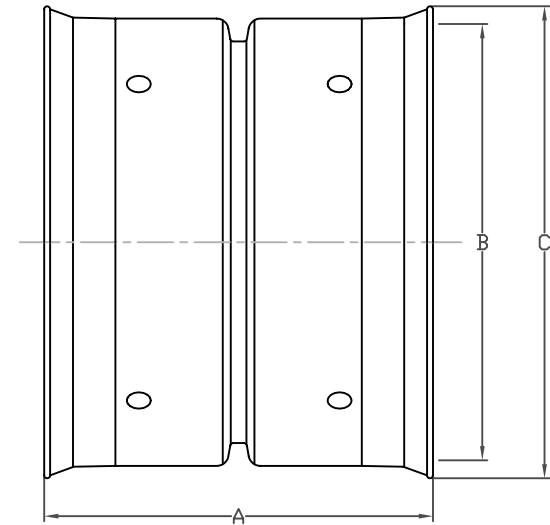


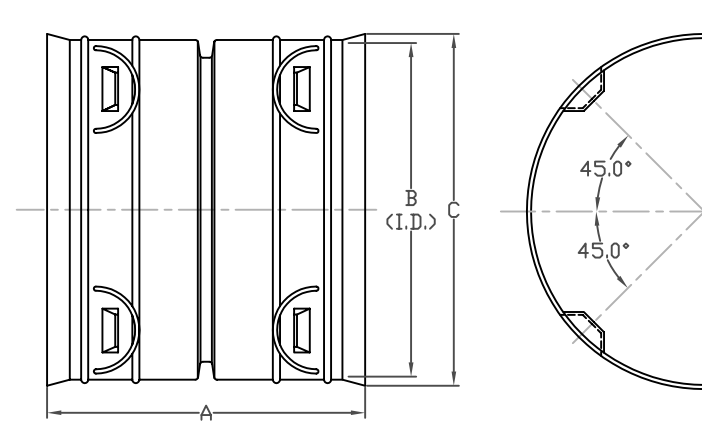
DUAL WALL SNAP COUPLING  
6"–10" DIAMETER

PART #	PIPE SIZE	A	B	C
0613AA	6 in (150 mm)	7.25 in (184 mm)	6.95 in (177 mm)	7.63 in (194 mm)
0813AA	8 in (200 mm)	8.25 in (210 mm)	9.17 in (233 mm)	10.13 in (257 mm)
1013AA	10 in (250 mm)	9.25 in (235 mm)	11.56 in (294 mm)	12.13 in (308 mm)




PRO-LINK ST  
12"–24" DIAMETER

PART #	PIPE SIZE	A	B	C
1214AA	12 in (300 mm)	14.00 in (356 mm)	14.60 in (371 mm)	15.40 in (391 mm)
1514AA	15 in (375 mm)	16.00 in (406 mm)	17.75 in (451 mm)	18.60 in (472 mm)
1814AA	18 in (450 mm)	18.00 in (457 mm)	21.40 in (544 mm)	22.40 in (569 mm)
2414AA	24 in (600 mm)	14.80 in (376 mm)	28.20 in (716 mm)	29.25 in (743 mm)



NOTE: REQUIRES GASKET TO PROVIDE SPECIFIED JOINT PERFORMANCE.

NOTE: ALL DIMENSIONS ARE NOMINAL

 ADVANCED DRAINAGE SYSTEMS, INC.			REVISIONS		
			BY	DATE	
DRAWN BY	07.19.02	APPROVED BY	09.05.02	DRAWING #	2005
JDP		AWM			