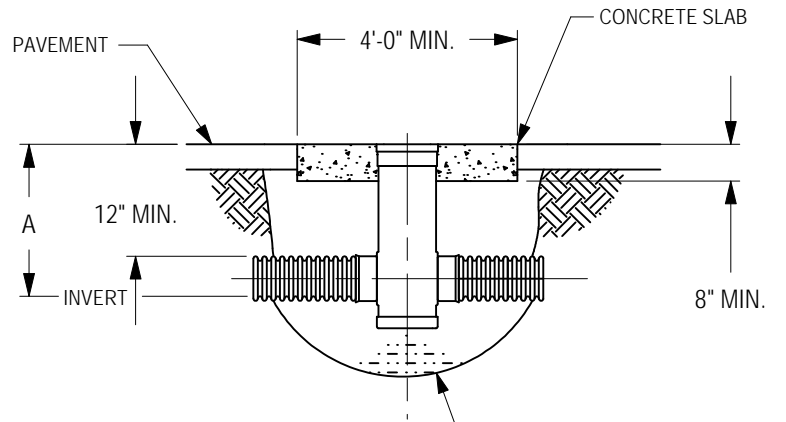
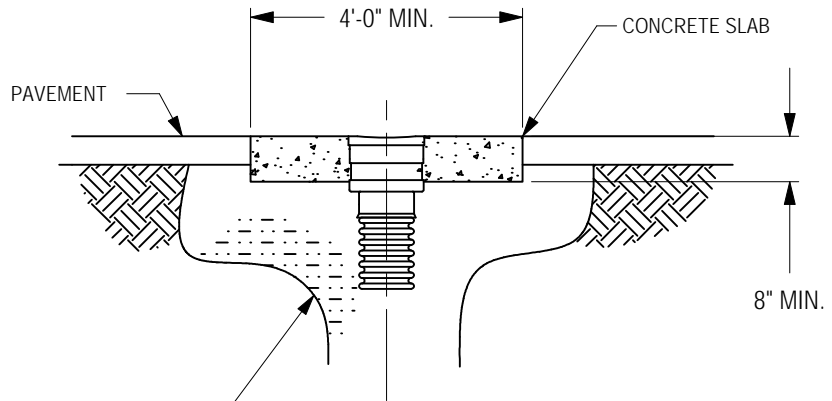


### 12" AND 15" DRAIN BASIN



BACKFILL MATERIAL SHALL BE CRUSHED STONE OR GRAVEL MATERIAL MEETING CLASS 1 OR 2 AS SPECIFIED IN ASTM D2321. BACKFILL MATERIAL SHALL BE PLACED UNIFORMLY IN 12" LIFTS AND COMPACTED.

### 12" AND 15" INLINE DRAIN



BACKFILL MATERIAL SHALL BE CRUSHED STONE OR GRAVEL MATERIAL MEETING CLASS 1 OR 2 AS SPECIFIED IN ASTM D2321. BACKFILL MATERIAL SHALL BE PLACED UNIFORMLY IN 12" LIFTS AND COMPACTED.

PIPE SIZE	A (ADS N-12 PIPE)
4"	17.00"
6"	19.00"
8"	21.00"
10"	24.00"
12"	26.00"
15"	29.00"

THIS PRINT DISCLOSES SUBJECT MATTER IN WHICH NYLOPLAST HAS PROPRIETARY RIGHTS. THE RECEIPT OR POSSESSION OF THIS PRINT DOES NOT CONFER, TRANSFER, OR LICENSE THE USE OF THE DESIGN OR TECHNICAL INFORMATION SHOWN HEREIN. REPRODUCTION OF THIS PRINT OR ANY INFORMATION CONTAINED HEREIN, OR MANUFACTURE OF ANY ARTICLE HEREFROM, FOR THE DISCLOSURE TO OTHERS IS FORBIDDEN, EXCEPT BY SPECIFIC WRITTEN PERMISSION FROM NYLOPLAST.

<b>DRAWN BY</b> AWA	<b>MATERIAL</b>
<b>DATE</b> 10AUG00	
<b>APPD BY</b> CJA	<b>PROJECT NO./NAME</b>
<b>DATE</b> 19FEB01	DRAIN BASIN / INLINE DRAIN
<b>DWG SIZE</b> A	<b>SCALE</b> 1:100 <b>SHEET</b> 1 OF 1

3130 VERONA AVE  
 BUFORD, GA 30518  
 PHN (770) 932-2443  
 FAX (770) 932-2490  
[www.nyloplast-us.com](http://www.nyloplast-us.com)

<b>TITLE</b>
12" & 15" H-25 (HEAVY TRAFFIC) INSTALLATION
<b>DWG NO.</b> 7001-110-043 <b>REV</b> D