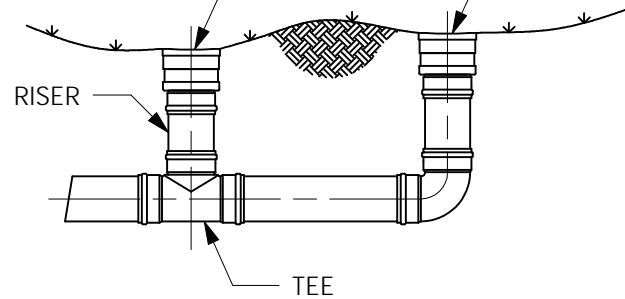


WHEN ARE INLINE DRAINS USED?

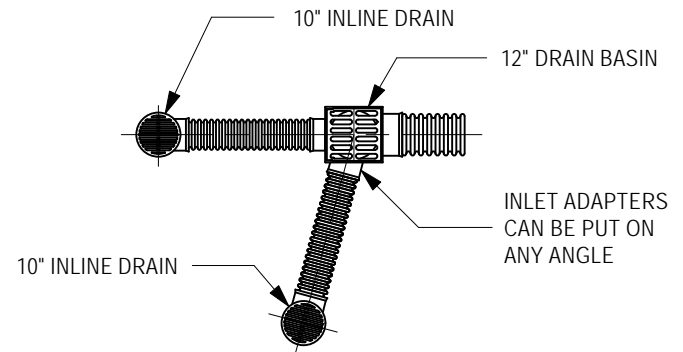
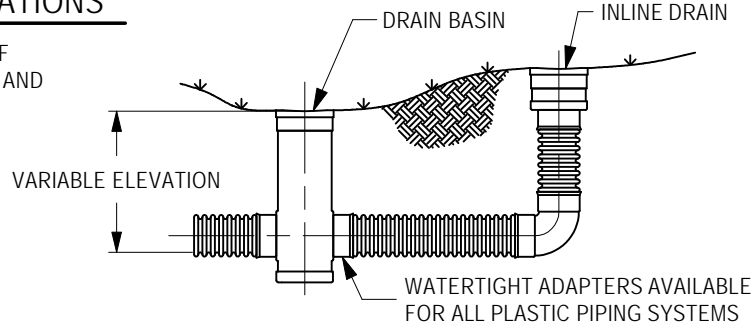
THE INLINE DRAIN CAN BE USED TO ENTER AN EXISTING LINE BY USE OF A RISER AND A TEE

THE INLINE DRAIN CAN BE USED AT THE BEGINNING OF A DRAIN LINE



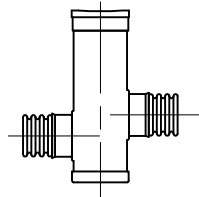
TYPICAL INSTALLATIONS

TYPICAL INSTALLATION OF NYLOPLAST DRAIN BASIN AND INLINE DRAIN

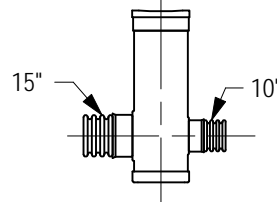


WHEN ARE DRAIN BASINS USED?

1: CHANGE ELEVATION

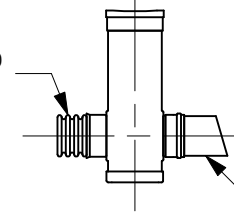


2: CHANGE DIAMETER

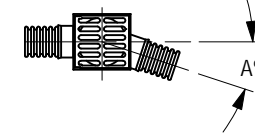


3: CHANGE PIPE

CORRUGATED POLY PIPE



4: CHANGE DIRECTION



AVAILABLE IN SIZES 8" THROUGH 30".
ADAPT TO PIPE SIZES 4" THROUGH 30".

THIS PRINT DISCLOSES SUBJECT MATTER IN WHICH NYLOPLAST HAS PROPRIETARY RIGHTS. THE RECEIPT OR POSSESSION OF THIS PRINT DOES NOT CONFER, TRANSFER, OR LICENSE THE USE OF THE DESIGN OR TECHNICAL INFORMATION SHOWN HEREIN REPRODUCTION OF THIS PRINT OR ANY INFORMATION CONTAINED HEREIN, OR MANUFACTURE OF ANY ARTICLE HEREFROM, FOR THE DISCLOSURE TO OTHERS IS FORBIDDEN, EXCEPT BY SPECIFIC WRITTEN PERMISSION FROM NYLOPLAST.

DRAWN BY	AWA	MATERIAL	
DATE	10AUG00	PROJECT NO./NAME	
APPD BY	CJA	DRAIN BASIN / INLINE DRAIN	
DATE	10AUG00		
DWG SIZE	A	SCALE	1:90 SHEET 1 OF 1

Nyloplast

3130 VERONA AVE
BUFORD, GA 30518
PHN (770) 932-2443
FAX (770) 932-2490
www.nyloplast-us.com

TITLE
8" - 30" TYPICAL INSTALLATION OPTIONS

DWG NO. 7001-110-042 REV B