

**Benchmarks:**  
 Hoover and MacArthur ( 39th St. South )  
 COW Bench Mark. NE corner of intersection.  
 41.60 ft North of center line.  
 69.00 ft East of center line.  
 20.00 ft East of guy pole.  
 79.80 ft NE of Section corner iron.

City 121.22 ft  
 MSL 1308.62 ft

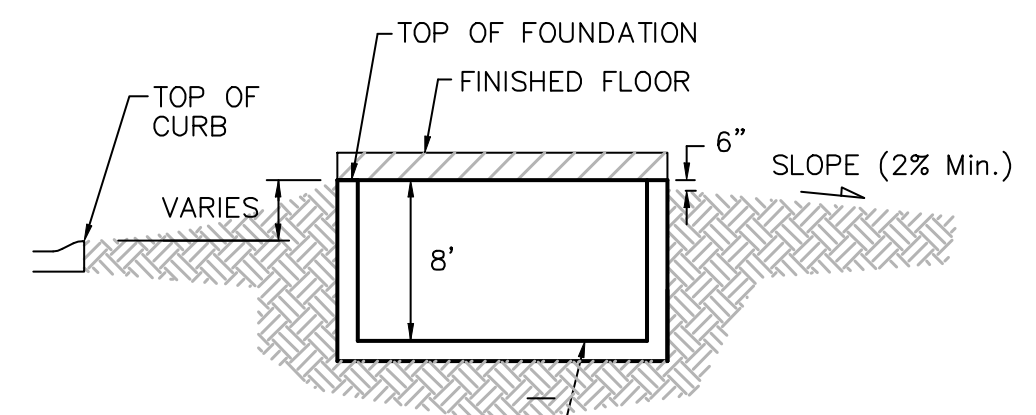
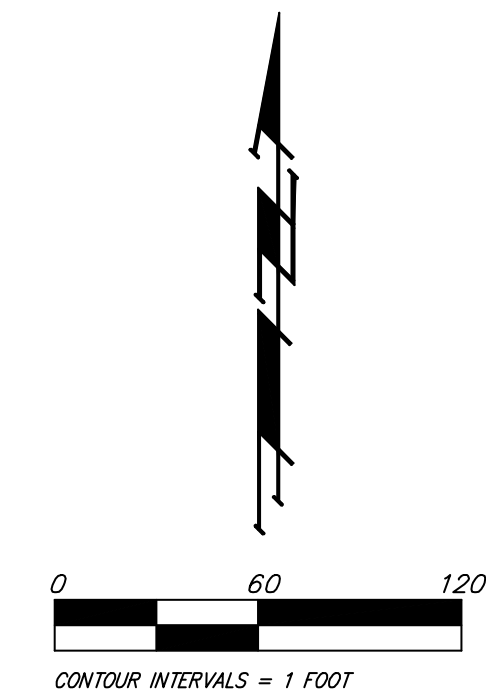
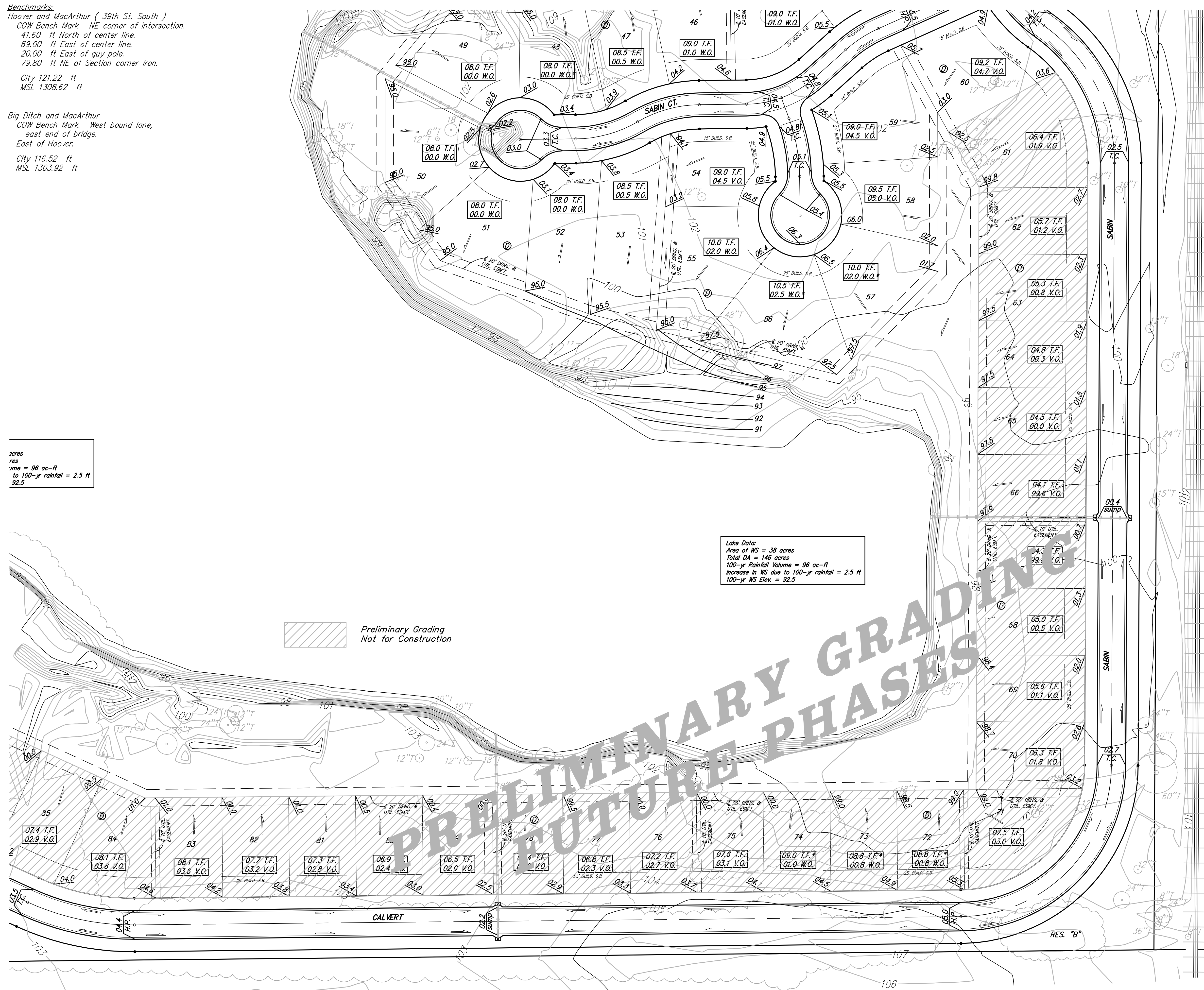
Big Ditch and MacArthur  
 COW Bench Mark. West bound lane,  
 east end of bridge.  
 East of Hoover.

City 116.52 ft  
 MSL 1303.92 ft

acres  
 res  
 time = 96 ac-ft  
 to 100-yr rainfall = 2.5 ft  
 92.5

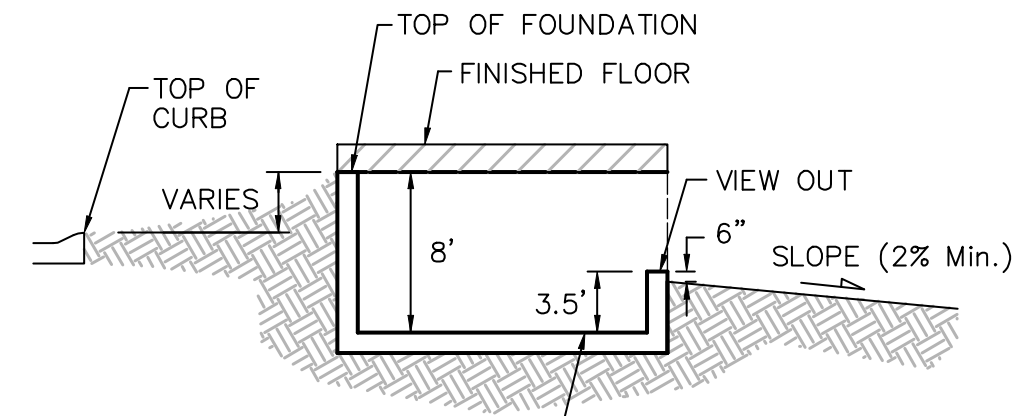
**Lake Data:**  
 Area of WS = 38 acres  
 Total DA = 146 acres  
 100-yr Rainfall Volume = 96 ac-ft  
 Increase in WS due to 100-yr rainfall = 2.5 ft  
 100-yr WS Elev. = 92.5

 Preliminary Grading  
 Not for Construction



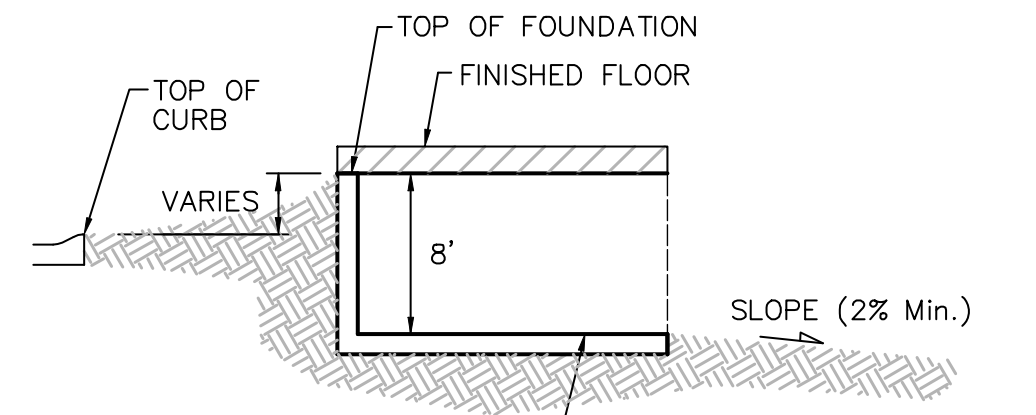
**TYPICAL NON-VIEW OUT DETAIL**

NO SCALE



**TYPICAL VIEW OUT DETAIL**

NO SCALE



**TYPICAL WALK OUT DETAIL**

NO SCALE

**NOTES:**

Proposed Top of Foundation Elevations Are Shown On Plans. Contractor to Set Finished Floor Elevations.

All Street Elevations Shown on Plans Are for Top of Curb (Full-Height).

This Grading Plan is Designed with View-Out and Walk-Out structures. Elevations for View-Outs are shown as XX.X V.O. Elevations for Walk-Outs are shown as XX.X W.O.

Lot dimensions have been omitted on this plan, refer to the recorded plat for this information.

Lots depicted as XX.X T.F.\* indicates that Deep footings or Foundations are required. The deep footing requirement may be waived if the contractor can provide proof that the area has been compacted to a minimum of 95% of optimum density.

<b>BLUE LAKE ADDITION</b>			
<b>GRADING PLAN</b>			
WICHITA, KANSAS			
<b>BAUGHMAN COMPANY P.A.</b>			
ENGINEERING, SURVEYING, & PLANNING			
316-262-7271 • 315 ELLIS • WICHITA, KANSAS 67211			
PROJECT NUMBER			SHEET
DESIGN: BLG			6
DRAWN: BLG			OF
APPROVED:			9
DATE: 5-03-04			SCALE: noted