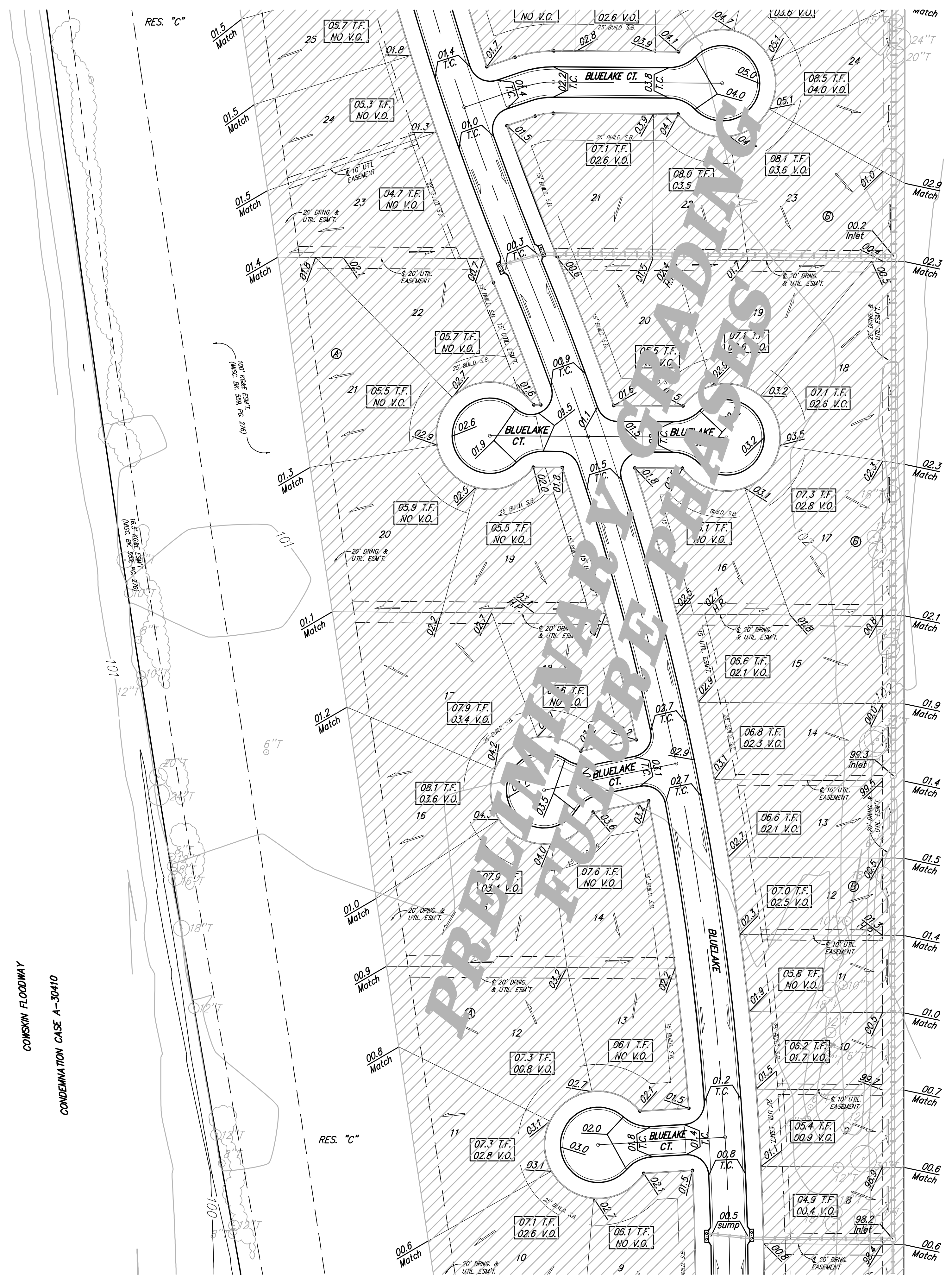
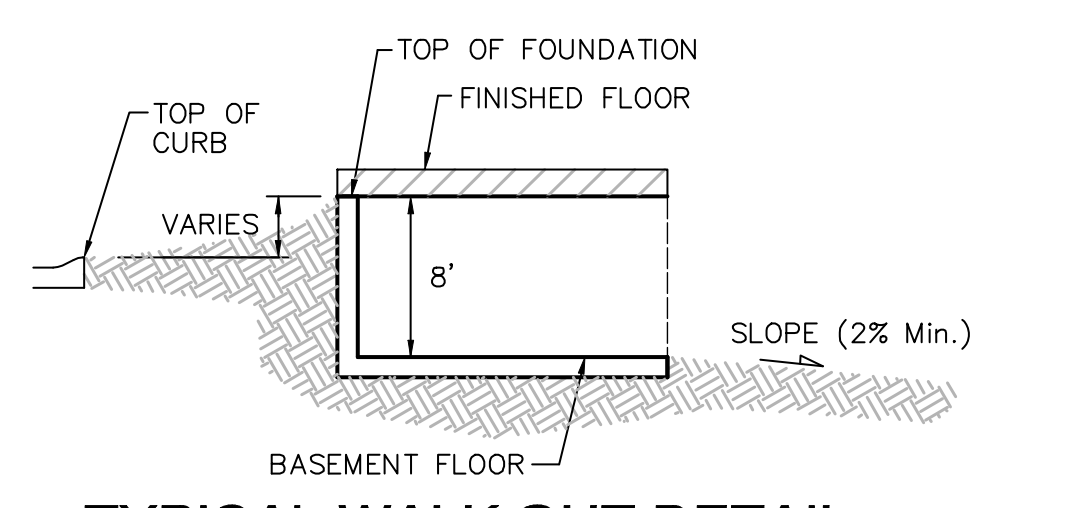
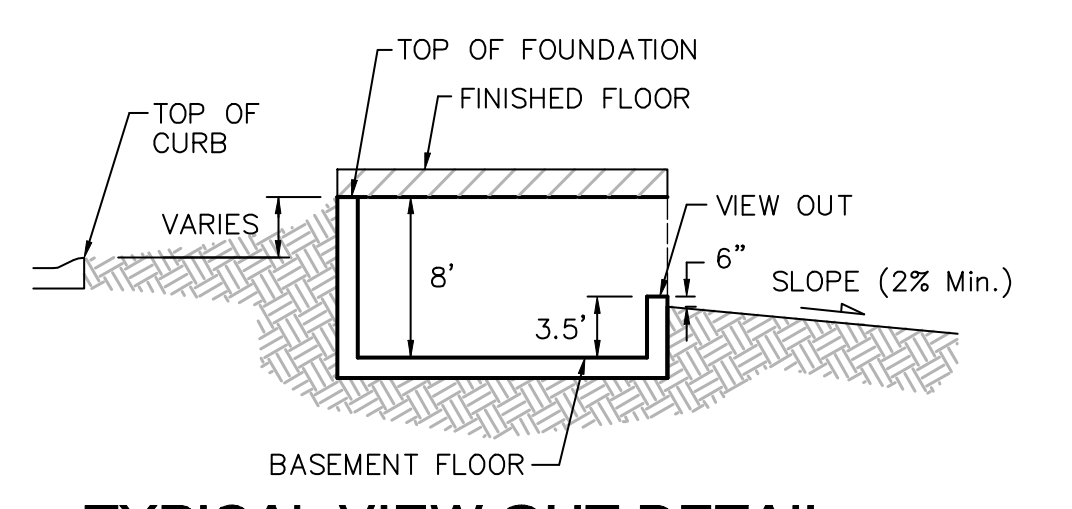
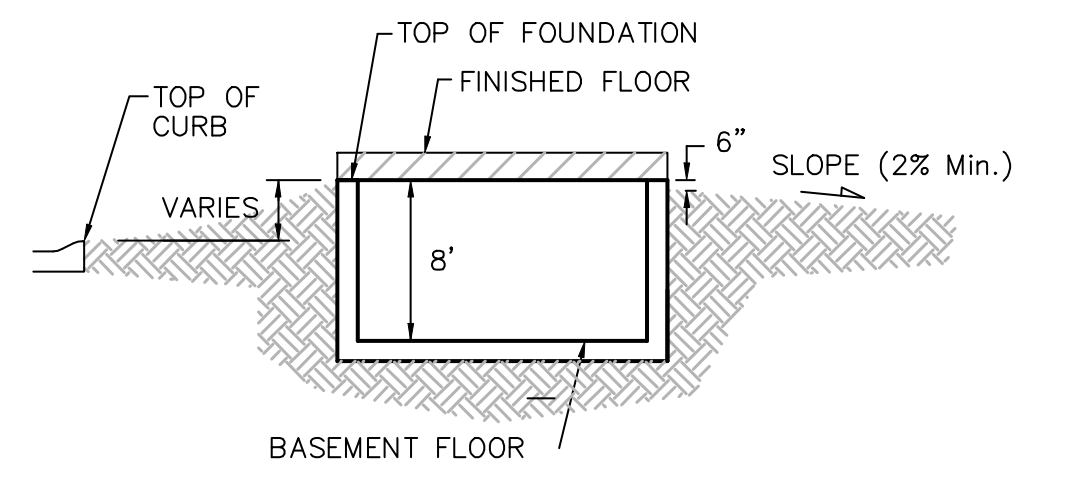
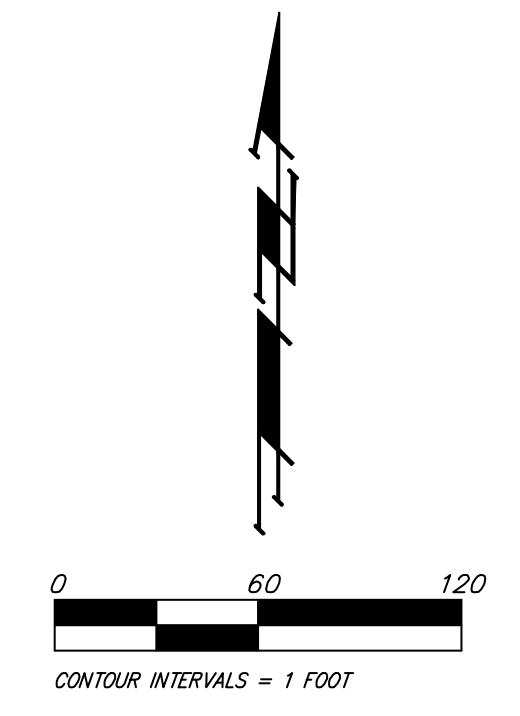


Benchmarks:
 Hoover and MacArthur (39th St. South)
 COW Bench Mark. NE corner of intersection.
 41.60 ft North of center line.
 69.00 ft East of center line.
 20.00 ft East of guy pole.
 79.80 ft NE of Section corner iron.
 City 121.22 ft
 MSL 1308.62 ft

Big Ditch and MacArthur
 COW Bench Mark. West bound lane,
 east end of bridge.
 East of Hoover.
 City 116.52 ft
 MSL 1303.92 ft



COMSKIN FLOODWAY
 CONDEMNATION CASE A-30410



NOTES:
 Proposed Top of Foundation Elevations Are Shown On Plans. Contractor to Set Finished Floor Elevations.
 All Street Elevations Shown on Plans Are for Top of Curb (Full-Height).
 This Grading Plan is Designed with View-Out and Walk-Out structures. Elevations for View-Outs are shown as XX.X V.O. Elevations for Walk-Outs are shown as XX.X W.O.
 Lot dimensions have been omitted on this plan, refer to the recorded plat for this information.

Lots depicted as XX.X T.F.* indicates that Deep footings or Foundations are required. The deep footing requirement may be waived if the contractor can provide proof that the area has been compacted to a minimum of 95% of optimum density.

Preliminary Grading
 Not for Construction

BLUE LAKE ADDITION				
GRADING PLAN				
WICHITA, KANSAS				
BAUGHMAN COMPANY P.A.				
ENGINEERING, SURVEYING, & PLANNING				
316-262-7271 • 315 ELLIS • WICHITA, KANSAS 67211				
PROJECT NUMBER				SHEET
DESIGN: BLG				8
DRAWN: BLG				OF
APPROVED:				9
DATE: 5-03-04		SCALE: noted		