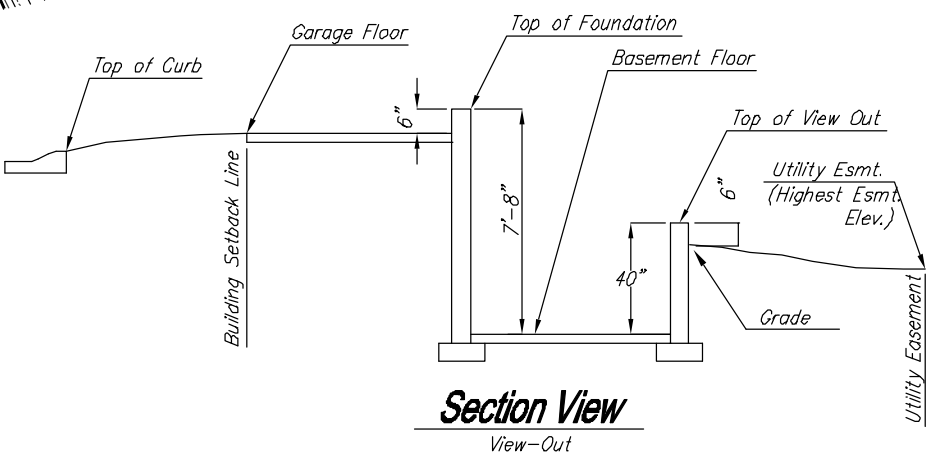
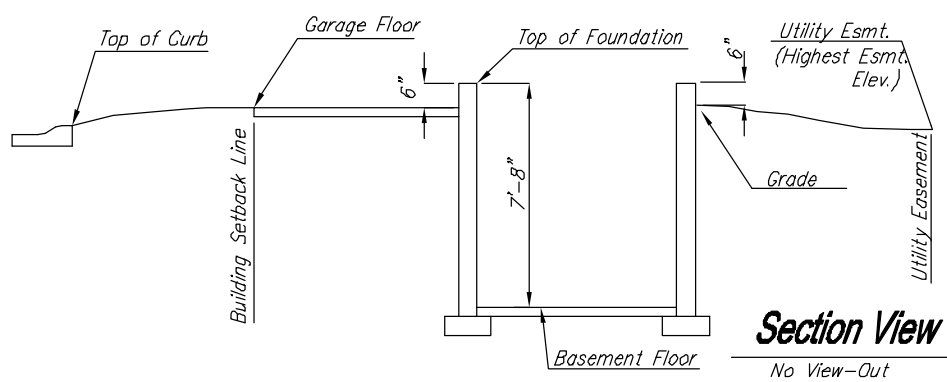


SCALE 1" = 120'

- (R) Garage Right
- (L) Garage Left
- (WO) Walk-Out Optional
- * Extra Steps Required for Viewout

BENCH MARK #1: "□" ON SOUTH END HEADWALL 58.5± S. OF NW COR. SEC. 26, T27, R2E. ELEV. 1308.79

BENCH MARK #3: RAILROAD SPK. WEST FACE OF POWER POLE 30± WEST OF EAST 1/4 COR. SEC. 26, T27, R2E. ELEV. 1314.88



**CLEAR CREEK ADDITION
PHASE 2 GRADING PLAN
WICHITA, KANSAS**

Ruggles & Bohm, P.A.
Engineering, Surveying, Land Planning

824 North Main
Wichita, Kansas 67203
www.rbkansas.com

(316) 264-8008
(316) 264-4621 fax
E-mail: info@rbkansas.com

DESIGN: KWL
DRAWN: RA
REVIEW: [blank]
UTILITY: [blank]

DATE: Jan. 2, 2007

DRAWING FILE: Phase 2 Grading [Layout]
PROJECT NUMBER: [blank]