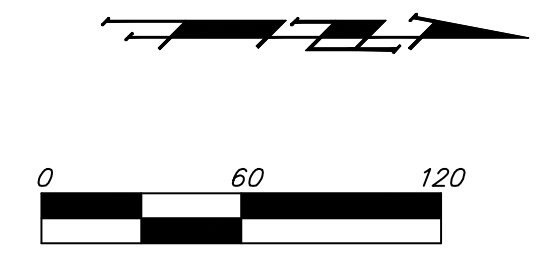


BENCHMARKS:

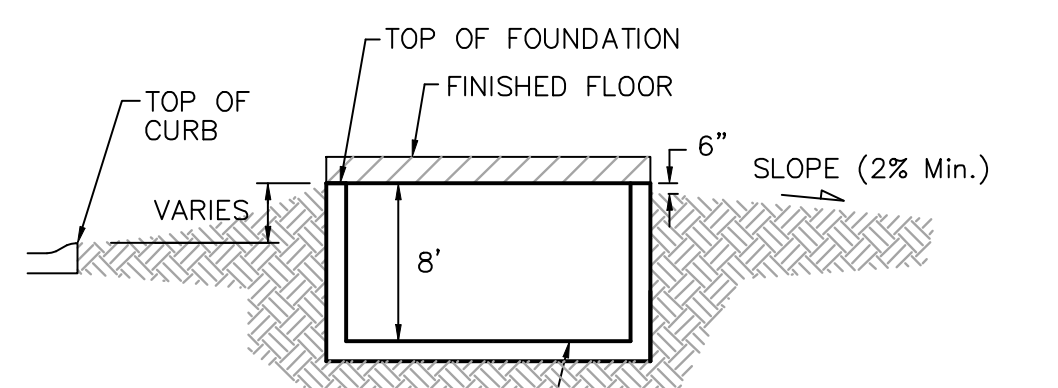
BM #1: C.O.W. disc at SW corner of intersection.
 30.00'± S. of CL of 13th St. N. 35.00'± W. of CL of 135th St. W.
 Elev. = 168.25 City Datum

BM #2: Small RR spike in 4th HLP W. of 135th St. W. on south side of 13th St. N. (N. face of HLP).
 Elev. = 179.24 City Datum

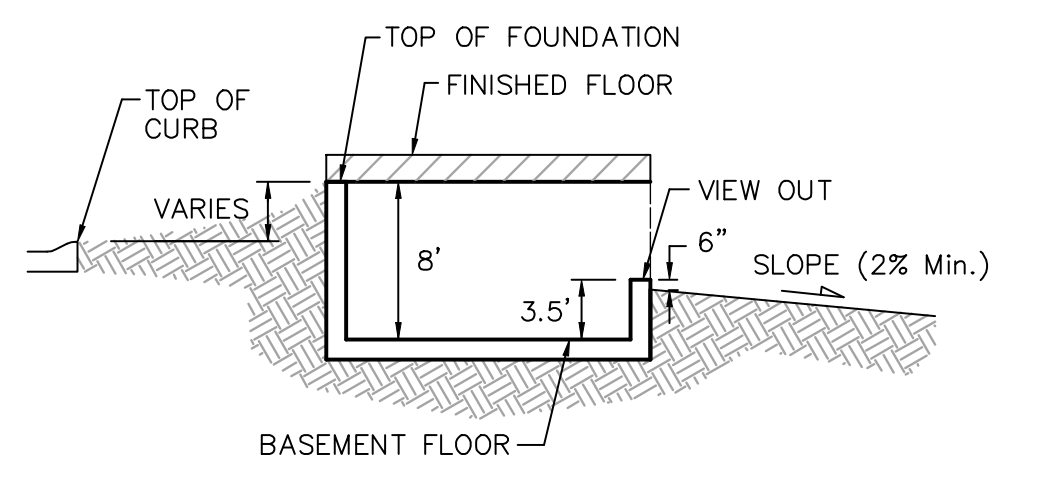
BM #3: RR spike in Power Pole. 1321.65 W. of 135th St. W. 30' N. of 13th St. N.
 Elev. = 178.45 City Datum



MINIMUM BUILDING PAD ELEVATIONS FOR LOWEST OPENING TO THE STRUCTURES		
LOT	BLOCK	ELEVATION CITY DATUM
2-11, 13-21	F	173.5



TYPICAL NON-VIEW OUT DETAIL
NO SCALE



TYPICAL VIEW OUT DETAIL
NO SCALE

NOTES:

Proposed Top of Foundation Elevations Are Shown On Plans. Contractor to Set Finished Floor Elevations.

All Street Elevations Shown on Plans Are for Top of Curb (Full-Height).

This Grading Plan is Designed with View-Outs. Elevations Shown as XX.X V.O. indicate View-Out structure elevation.

Lot dimensions have been omitted on this plan, refer to the recorded plat for this information.

Add 100 to finish grade elevations indicated to achieve city datum elevation. Existing grade elevations are in city datum.

Baughman Copper Gate North Addition
Grading Plan
 Wichita, Sedgewick County, Kansas

Baughman Company, P.A. 315 Ellis St. Wichita, KS 67211 P 316-262-7271 F 316-262-0149
 ENGINEERING | SURVEYING | PLANNING | LANDSCAPE ARCHITECTURE

PROJECT NUMBER	DRAWN
DESIGN	BLG
APPROVED	DATE
REVISIONS:	JAK
12.21.05	JAK
2.15.06	JAK
SCALE	1" = 60'
SHEET	1 OF 2

F:\Grade\Copper Gate North\Grade.dwg