

**NOTES:**

Proposed Top of Foundation Elevations Are Shown On Plans. Contractor to Set Finished Floor Elevations.

All Street Elevations Shown on Plans Are for Top of Curb (Full-Height).

This Grading Plan is Designed with View-Outs. Elevations Shown at Rear of House (XX.X V.O.)

Lot dimensions have been omitted on this plan, refer to the recorded plat for this information.

\* May Require Extra Deep Foundation

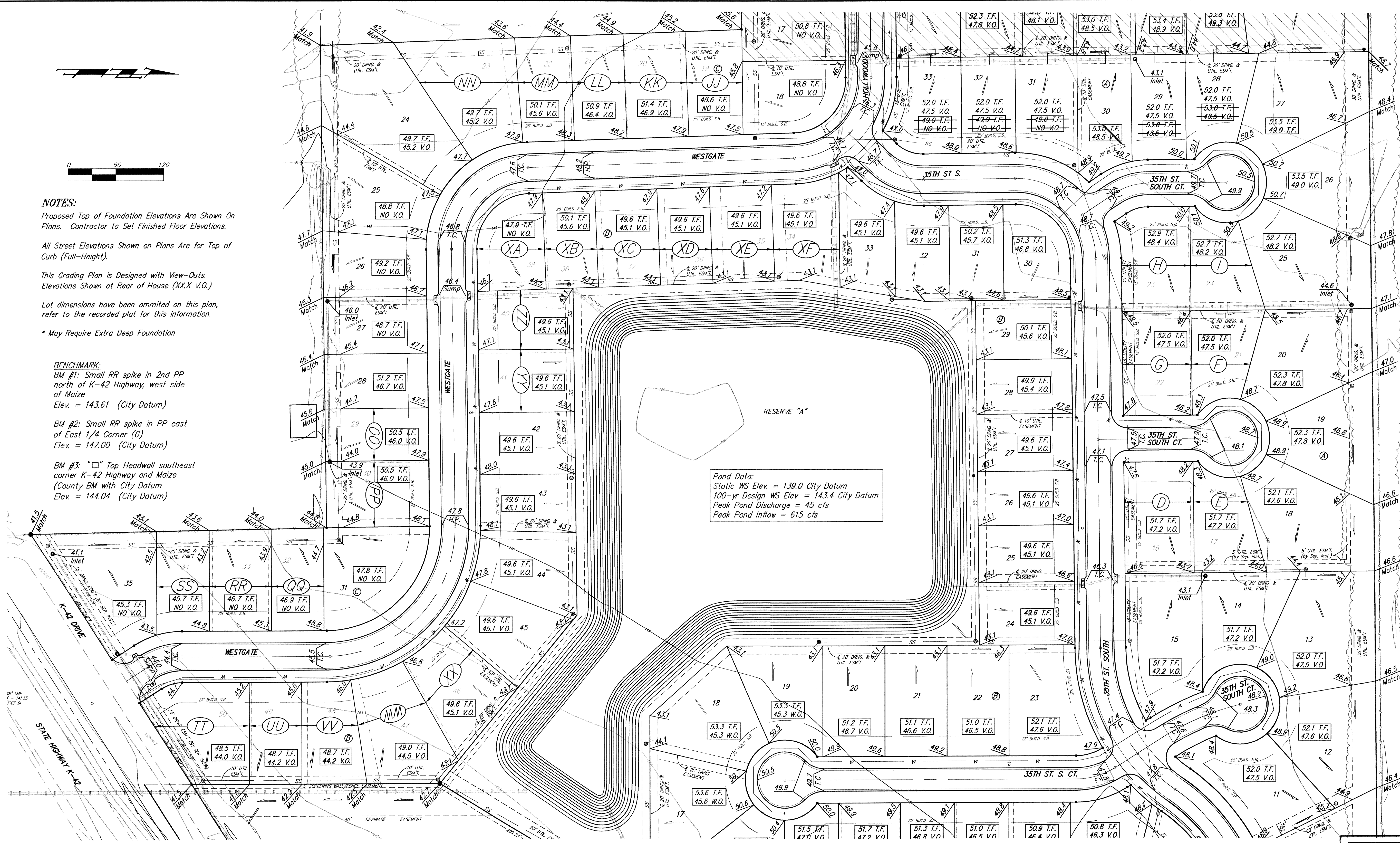
**BENCHMARK:**

BM #1: Small RR spike in 2nd PP north of K-42 Highway, west side of Maize  
Elev. = 143.61 (City Datum)

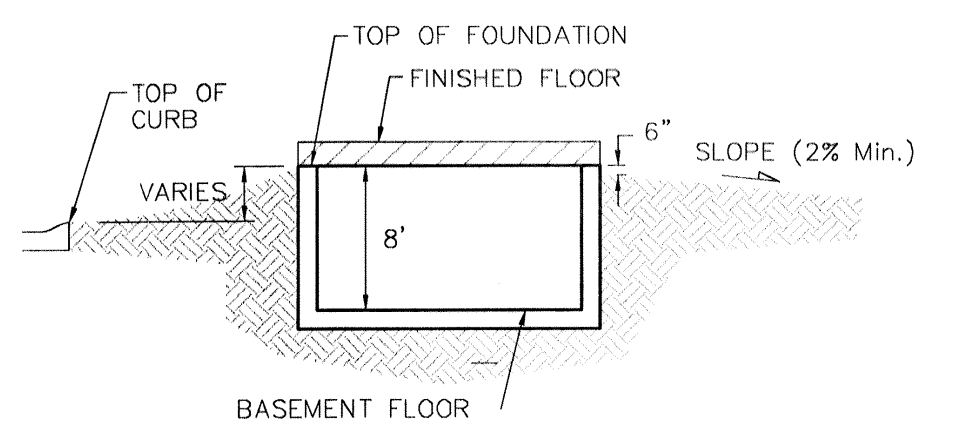
BM #2: Small RR spike in PP east of East 1/4 Corner (G)  
Elev. = 147.00 (City Datum)

BM #3: "□" Top Headwall southeast corner K-42 Highway and Maize (County BM with City Datum)  
Elev. = 144.04 (City Datum)

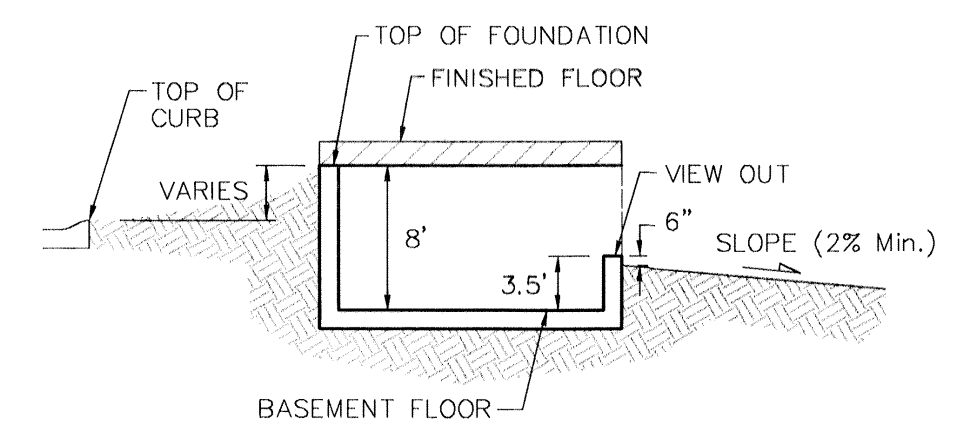
**Pond Data:**  
Static WS Elev. = 139.0 City Datum  
100-yr Design WS Elev. = 143.4 City Datum  
Peak Pond Discharge = 45 cfs  
Peak Pond Inflow = 615 cfs



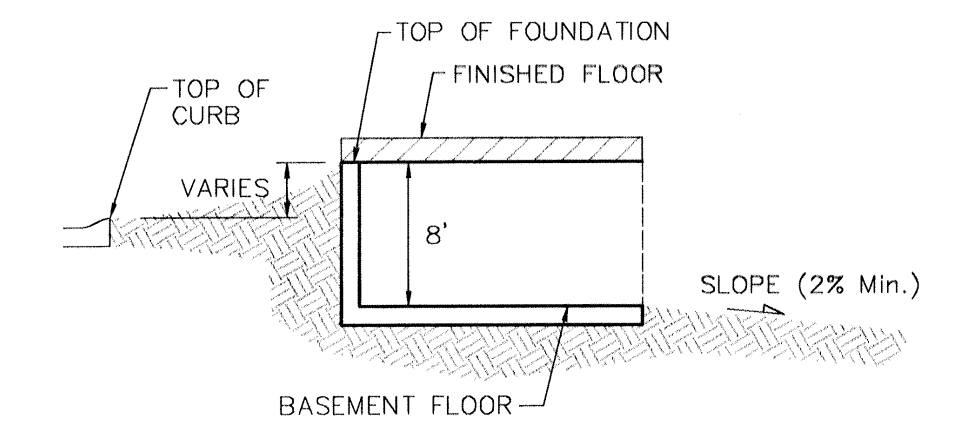
| LOT   | BLOCK | ELEVATION  |        |
|-------|-------|------------|--------|
|       |       | CITY DATUM | NGVD29 |
| 16-22 | B     | 144.5      | 1331.9 |
| 24-38 | B     | 144.5      | 1331.9 |
| 40-47 | B     | 144.5      | 1331.9 |



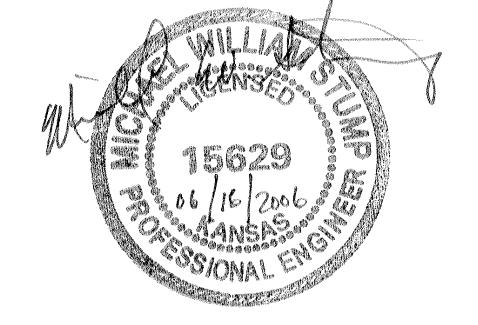
**TYPICAL NON-VIEW OUT DETAIL**  
NO SCALE



**TYPICAL VIEW OUT DETAIL**  
NO SCALE



**TYPICAL WALK OUT DETAIL**  
NO SCALE



**Baughman GRADING PLAN**  
Wichita, Sedgwick County, Kansas

Baughman Company, P.A. 315 Ellis St. Wichita, KS 67211 P 316-262-7271 F 316-262-0149  
ENGINEERING | SURVEYING | PLANNING | LANDSCAPE ARCHITECTURE

|                |               |                |
|----------------|---------------|----------------|
| PROJECT NUMBER | DESIGN BLP    | DRAWN MWS      |
| REVISIONS:     | APPROVED DATE | SCALE 1" = 60' |
| 12/09/05 AEO   | 3/22/04       |                |
| 1/27/06 MWS    |               |                |
| 4/13/06 JAK    |               |                |
| 6/16/06 JAK    |               |                |

**2 OF 3**

F:\Grade\HarvestRidge\Grade.dwg