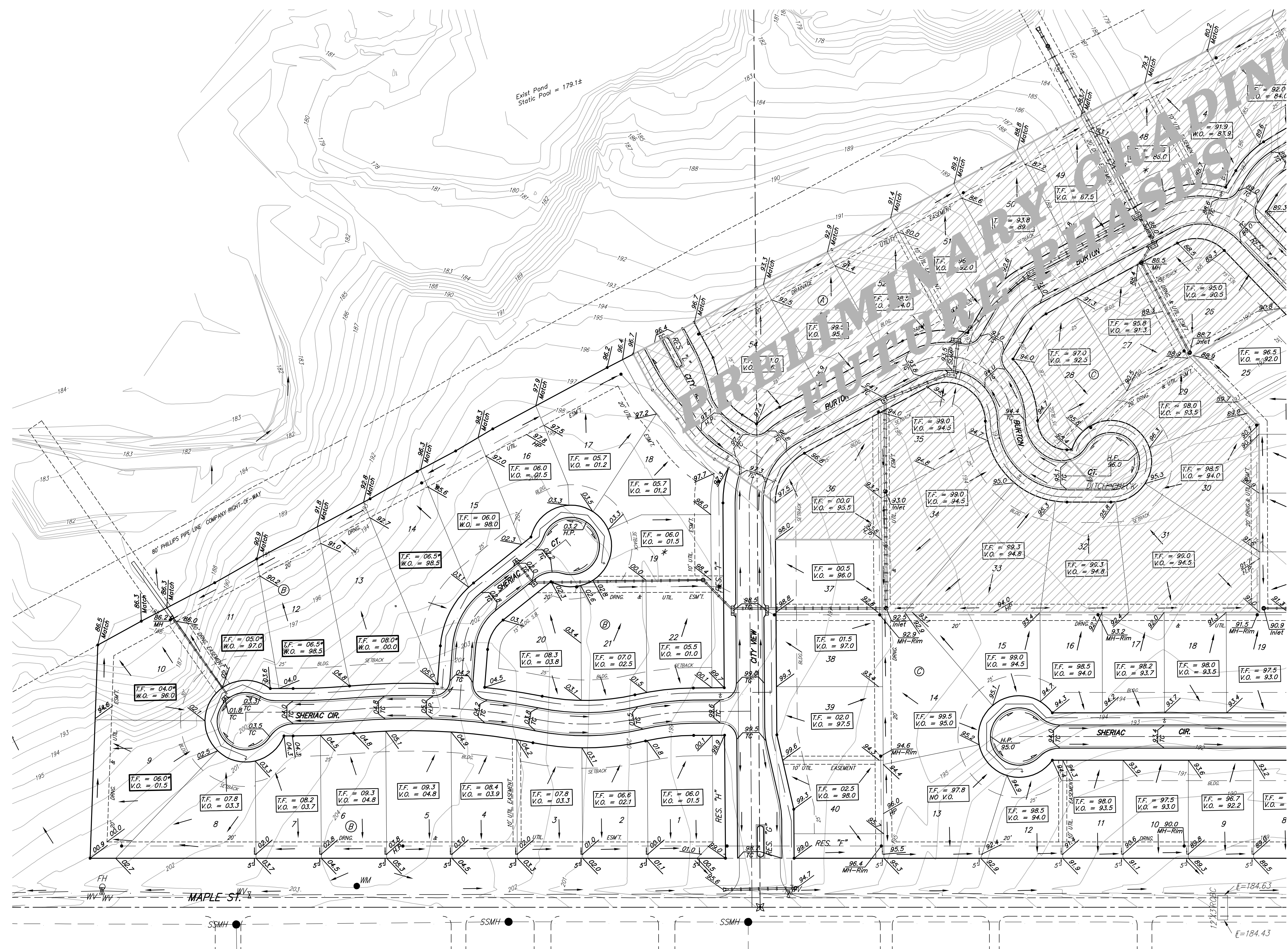


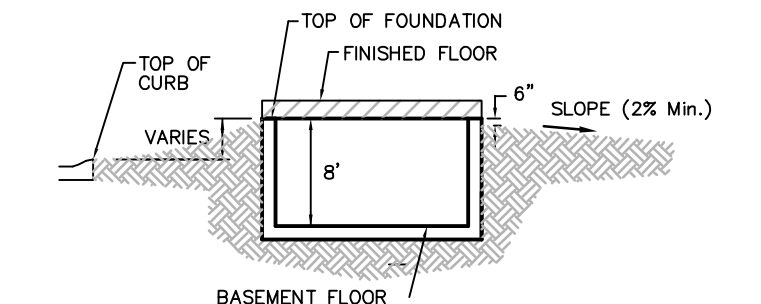
PRELIMINARY FUTURE PHASES



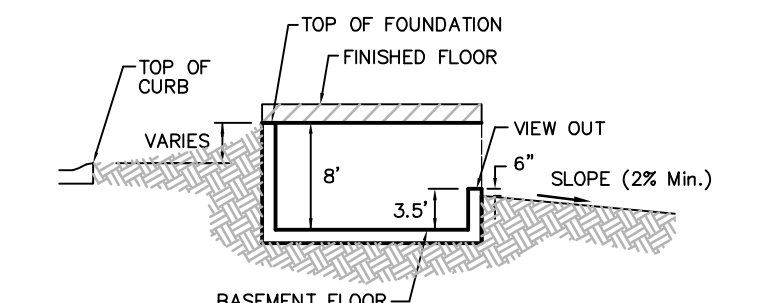
**BENCHMARKS:**  
 RR Spike in N. Face of PP in N.  
 R/W of Maple N. of Nineiron.  
 Elev. = 177.01 (City Datum)

"□" Cut center of north Headwall of RCBC in N. R/W of Maple 570'  
 East of centerline of City View.  
 Elev. = 187.91 (City Datum)

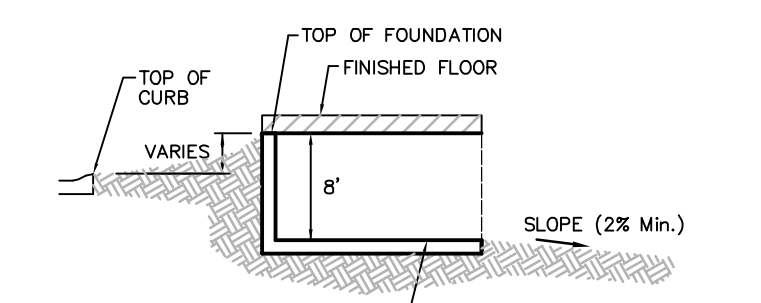
Scale: 1" = 60'



**TYPICAL NON-VIEW OUT DETAIL**  
NO SCALE



**TYPICAL VIEW OUT DETAIL**  
NO SCALE



**TYPICAL WALK OUT DETAIL**  
NO SCALE

**NOTES:**

- PROPOSED TOP OF FOUNDATION ELEVATIONS ARE SHOWN ON PLANS. CONTRACTOR TO SET FINISHED FLOOR AND GARAGE FLOOR ELEVATIONS. ALL STREET ELEVATIONS SHOWN ON PLANS ARE FOR TOP OF CURB (FULL-HEIGHT).
- THIS GRADING PLAN IS DESIGNED WITH VIEW-OUTS AND WALK-OUTS. ELEVATIONS SHOWN AS XX.X V.O. DEPICT VIEW-OUT STRUCTURES. ELEVATIONS SHOWN AS XX.X W.O. DEPICT WALK-OUT STRUCTURES.
- ALL LOTS SHALL MEET MINIMUM PAD REQUIREMENT AS SHOWN ON THE RECORDED PLAT.

MINIMUM BUILDING PAD ELEVATIONS FOR LOWEST OPENING TO THE STRUCTURES		
LOT	BLOCK	ELEVATION
1-24	D	CITY DATUM 177.20 NGVD29 1364.60
1-7	E	160.50 1347.90

- LOT DIMENSIONS HAVE BEEN OMITTED ON THIS PLAN. REFER TO THE RECORDED PLAT FOR FINAL DIMENSION, EASEMENT, & BUILDING SETBACK INFORMATION.
- HOUSE PAD ELEVATIONS DEPICTED WITH BOLD OUTLINES WITH TOP OF FOUNDATIONS SHOWN AS XX.X T.F.\* INDICATE THAT DEEP FOOTINGS OR DEEP FOUNDATIONS MAY BE REQUIRED.
- A DRAINAGE PLAN HAS BEEN DEVELOPED FOR THIS SUBDIVISION AND IS ON FILE WITH THE CITY OF WICHITA, KANSAS. DRAINAGE INTENT SHALL REMAIN AS DEPICTED OR AS MODIFIED WITH THE APPROVAL OF THE CITY ENGINEER OF THE CITY OF WICHITA, KANSAS. NO OBSTRUCTIONS WHICH IMPEDE THE FLOW OF THIS DRAINAGE PLAN SHALL BE ALLOWED.
- ALL ELEVATIONS SHOWN ARE CITY OF WICHITA DATUM.

**SHADOW WOODS ADDITION**  
**MASTER GRADING PLAN**  
 WICHITA, KANSAS

**BAUGHMAN COMPANY P.A.**  
 ENGINEERING, SURVEYING, & PLANNING  
 316-262-7271 • 315 ELLIS • WICHITA, KANSAS 67211

PROJECT NUMBER		SHEET	
		<b>3</b>	
DESIGN	DRAWN	APPROVED	DATE
	SCL		03/13/03
		SCALE	NOTE
			<b>4</b>

REVISED PH. 4 GRADES FINALIZED 10/15/04 BY AEG  
 REVISED PH. 1 GRADES 10/9/03 BY AEG PER NBW  
 REVISED NORTH P.L. & ESM'T GRADES 7/15/03 BY SMD PER AEG  
 REVISED SOUTH R/W GRADES 6/25/03 BY AEG

GRADE.DWG