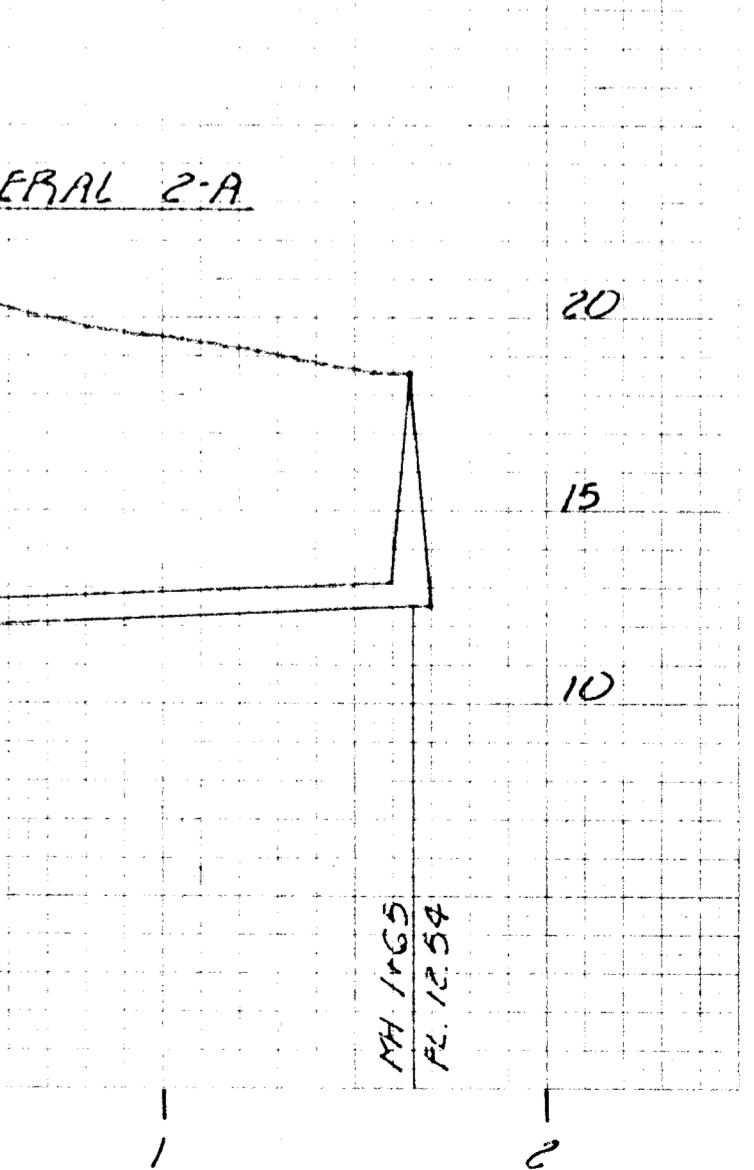
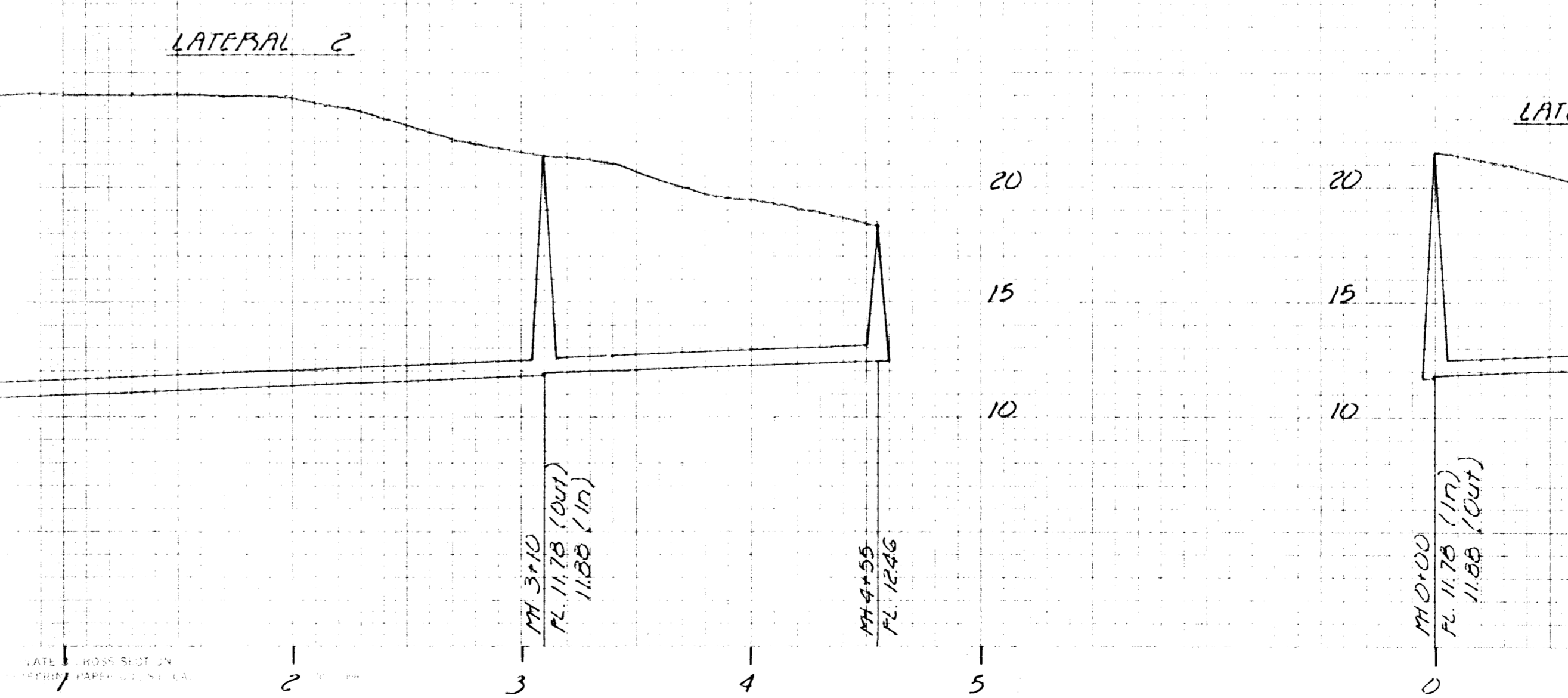
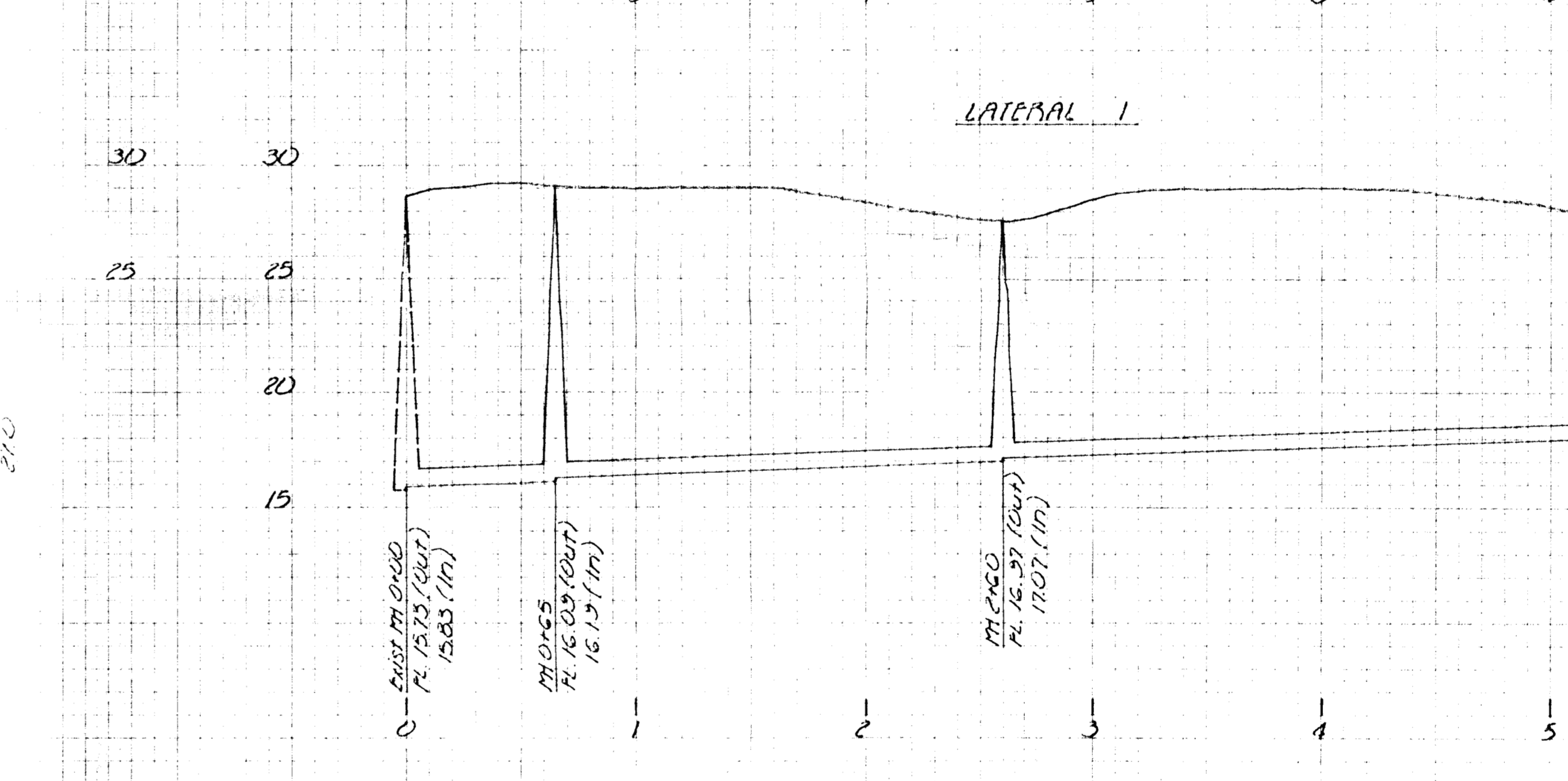
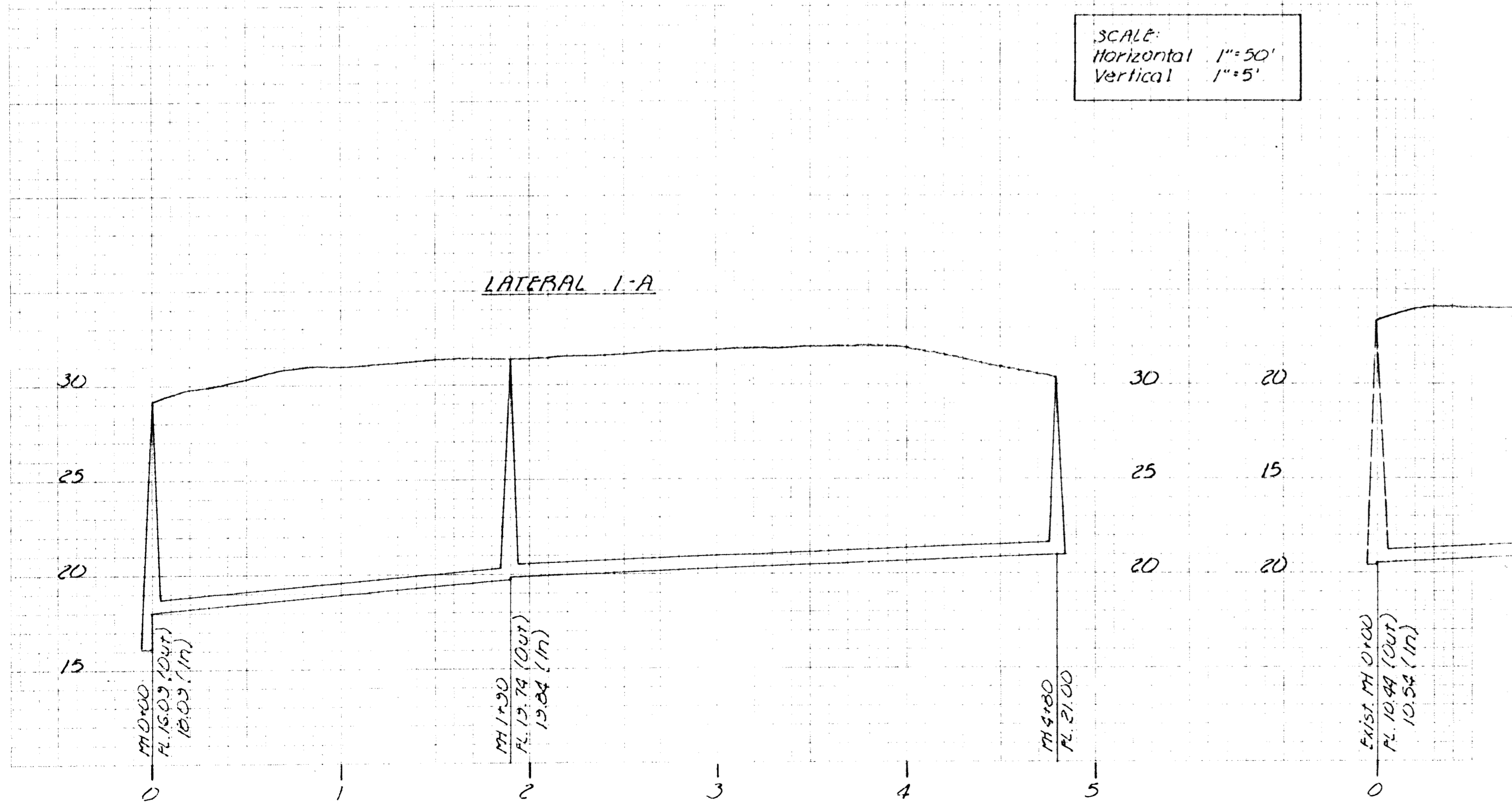
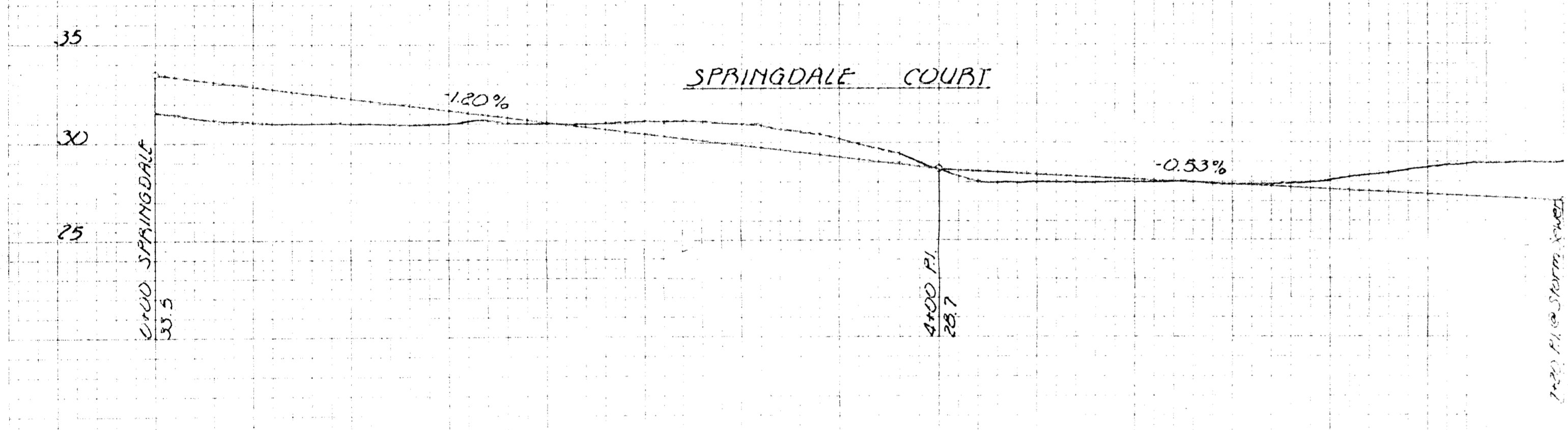
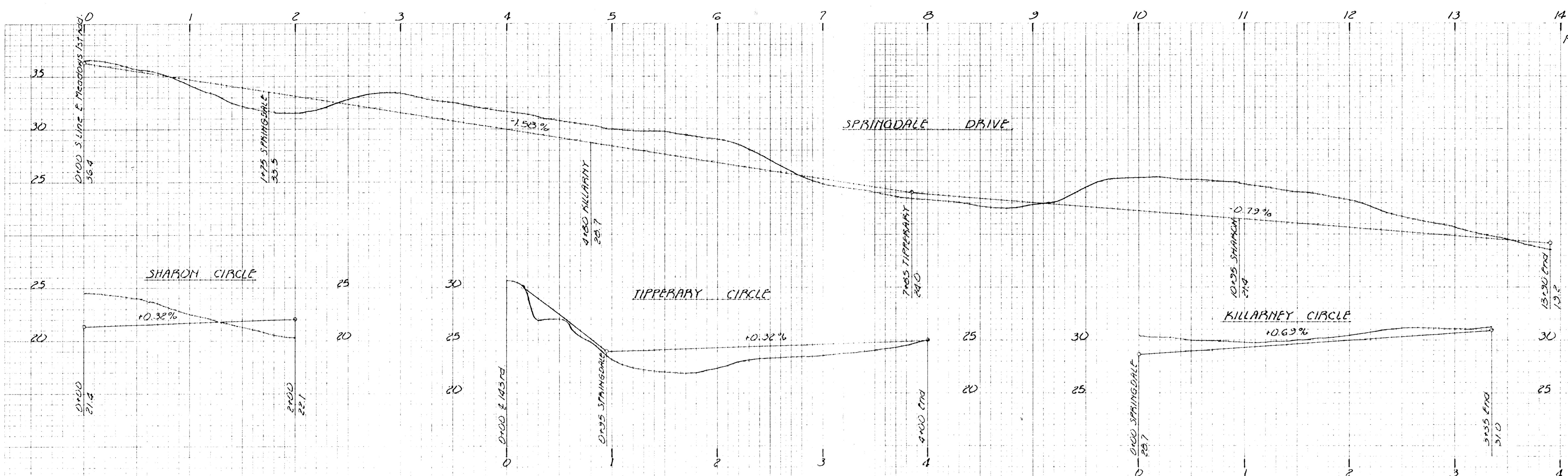


Preliminary Street Profiles and Sewer Profiles  
East Meadows 2nd Addition  
1-18-13



SCALE:  
Horizontal 1"=50'  
Vertical 1"=5'

SURVEY  
 DATE: 1-18-13  
 BY: [illegible]  
 CHECKED: [illegible]

SURVEY  
 DATE: 1-18-13  
 BY: [illegible]  
 CHECKED: [illegible]