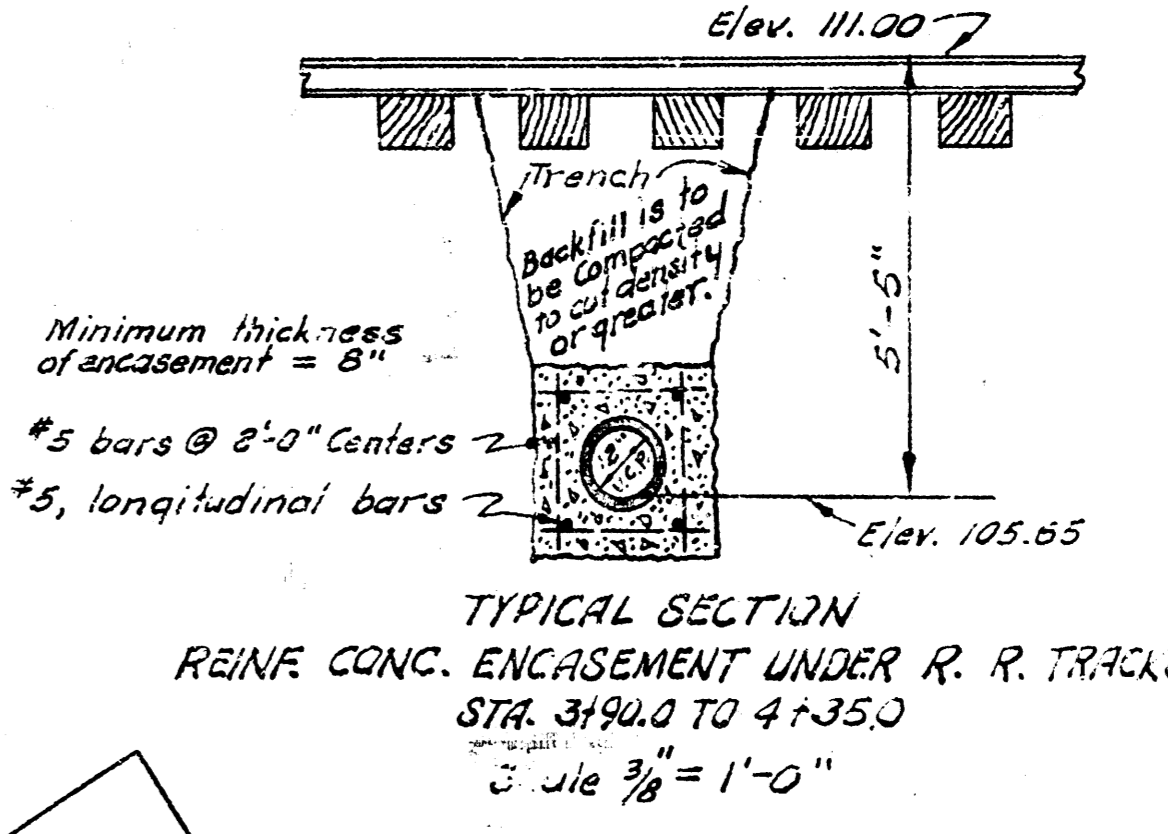


Plan Scale 1" = 40'
 Profile Scale 1" = 4' vert.

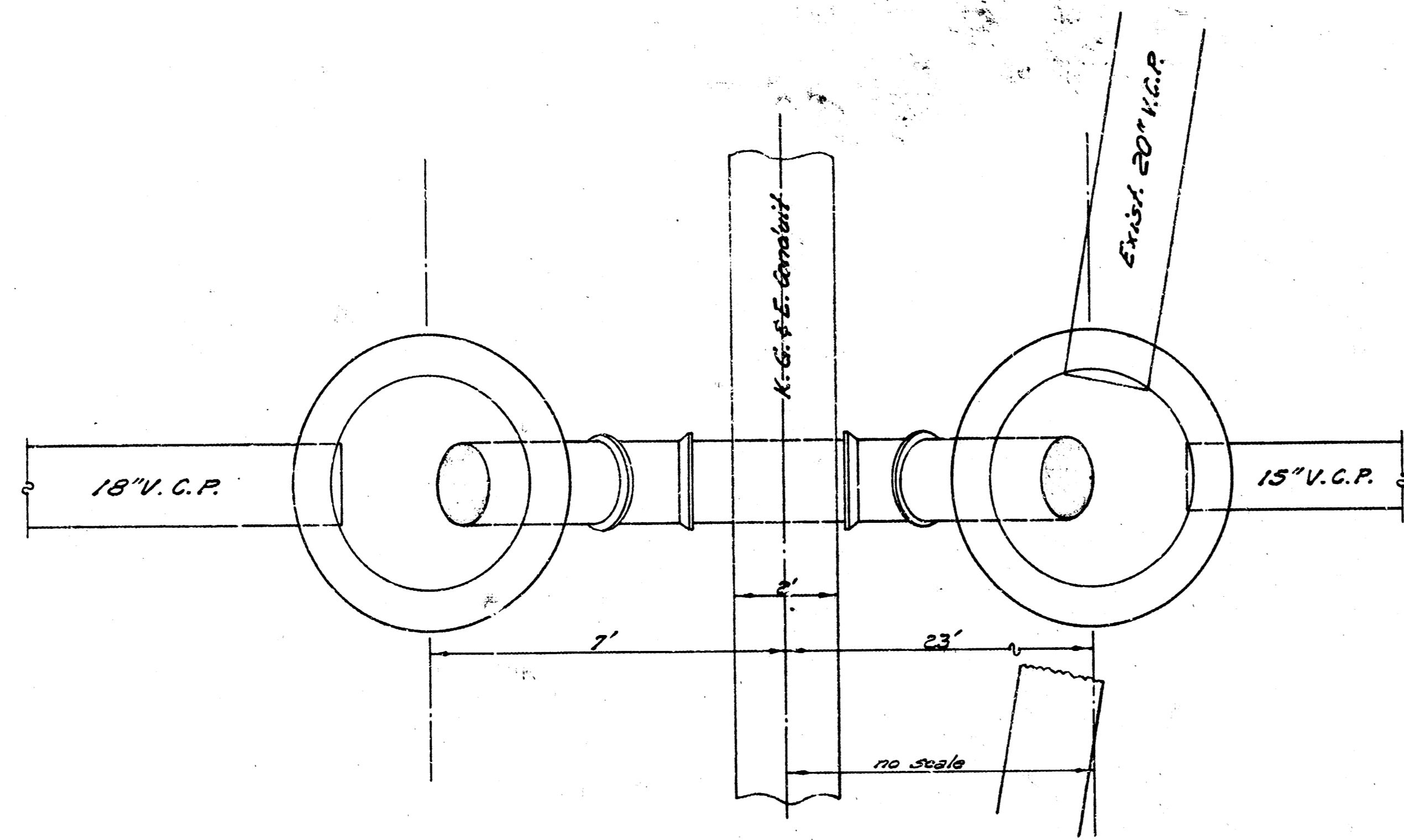
NOTE
 Sewer at Sta. 3190.0 to Sta. 4135.0 shall be installed in open ditch with tracks removed during hours which will not disrupt train traffic. The contractor shall give proper notice to railroad to provide flagmen while the crossing is being made. The expense of removing and replacing tracks and all other charges made by the Railroad will be paid by the contractor. The dip per lin. ft. of encasement shall include cost of encasement, reinf. steel, R.R. charges and compaction.

NOTE:
 These small K, G, & E underground conduits have been abandoned.

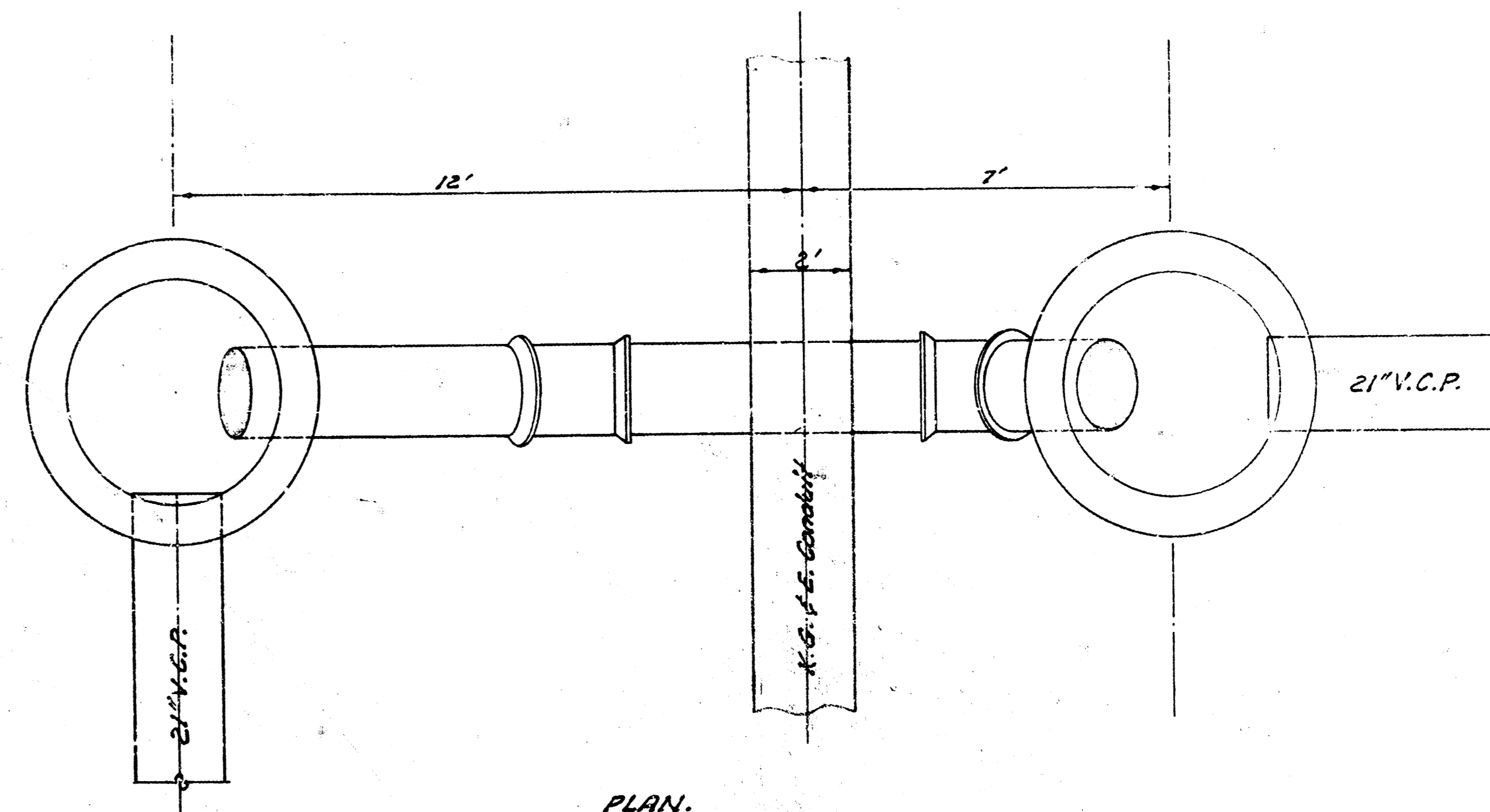


RELOCATION OF
 LAT. "W", SURMAIN "A", S. S. NO. 1
 IN CONNECTION WITH
 THE CIVIC CENTER URBAN RENEWAL
 PROJECT KANSAS R-19
 As built Plan 1-12-66

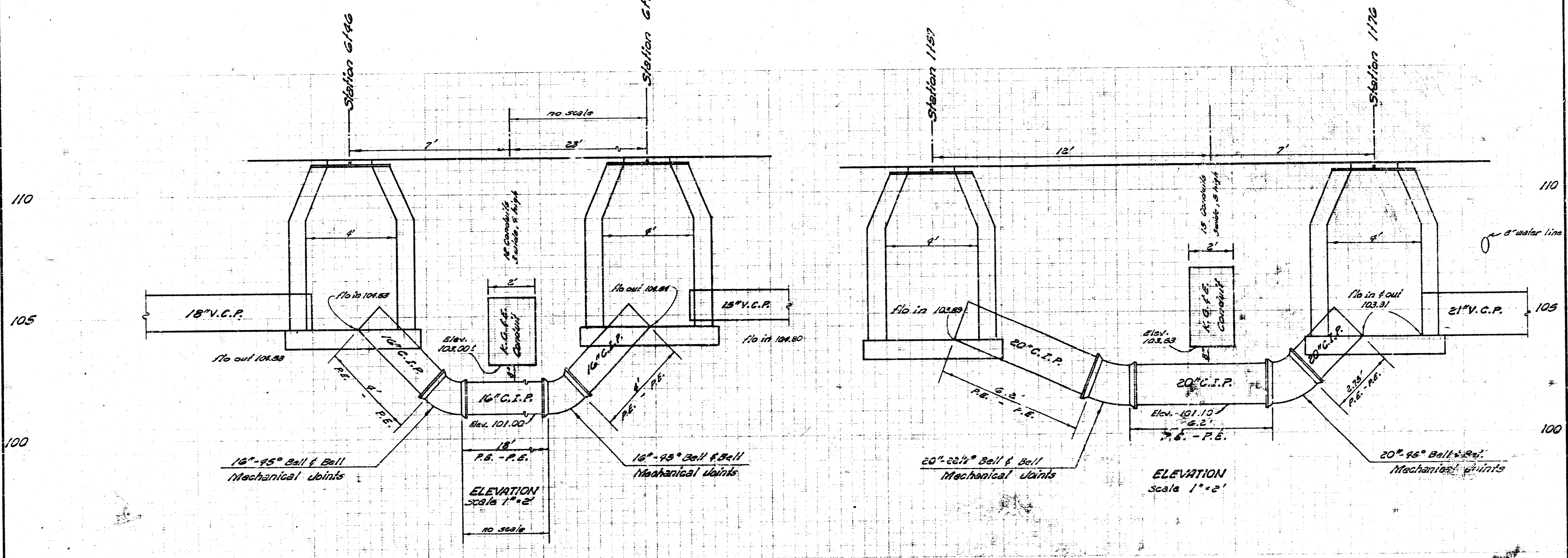
2/4



PLAN
 SYPHON, STA. 6146 TO 6176 LINE #1
 Scale 1"=2'



PLAN.
 SYPHON, STA. 1157 TO 1176 LINE #1
 Scale 1"=2'



ELEVATION
 Scale 1"=2'
 no scale

ELEVATION
 Scale 1"=2'

RELOCATION OF A PORTION OF MAIN A, SAN. SEWER J. I
 PROJ. KANSAS R-19 SYPHON DETAIL